

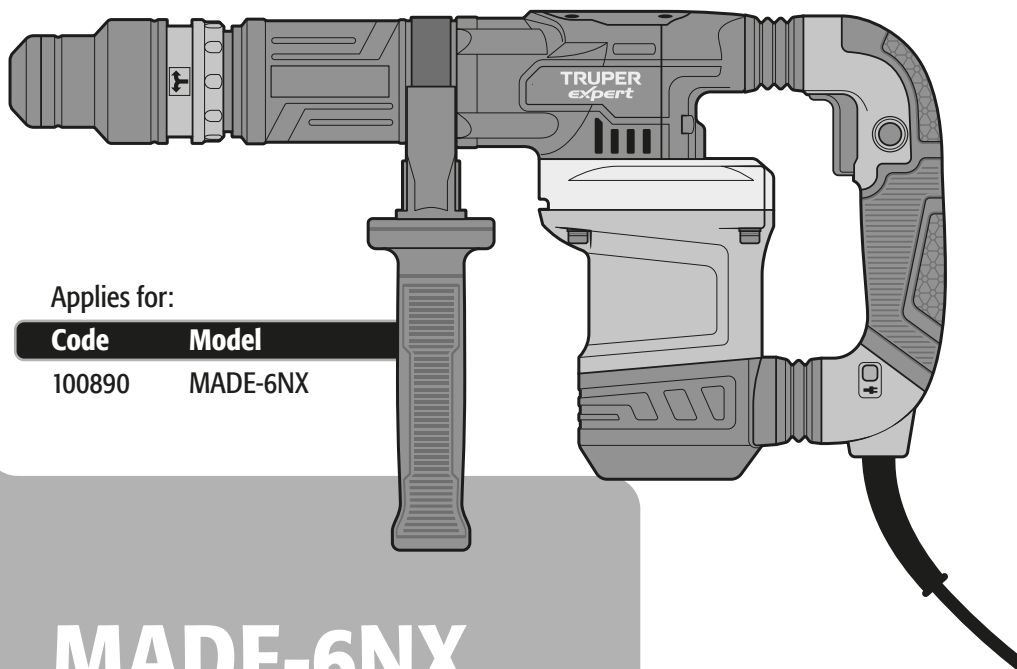
ENGLISH  
ESPAÑOL

# TRUPER

*expert*

## Demolition hammer 6 kg SDS MAX

**14 Joules**  
Impact energy



Applies for:

Code	Model
100890	MADE-6NX

# MADE-6NX

**CAUTION**



Read this manual thoroughly  
before using the tool.



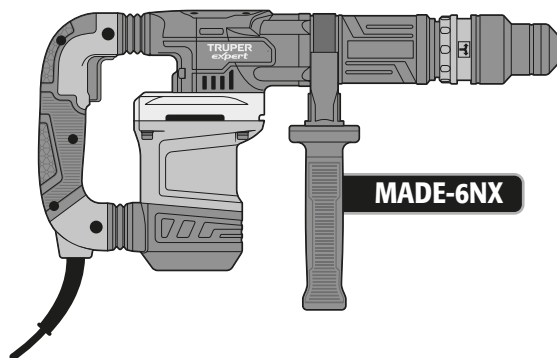
Technical Data.....	<b>3</b>
Power requirements.....	<b>3</b>
 General power tool safety warnings.....	<b>4</b>
 Safety warnings for the use of demolition hammer drills.....	<b>5</b>
Parts.....	<b>6</b>
Mounting and adjustments.....	<b>6</b>
Start up.....	<b>7</b>
Maintenance.....	<b>9</b>
Notes.....	<b>10</b>
Authorized Service Centers.....	<b>11</b>
Warranty Policy.....	<b>12</b>

### **CAUTION**

To gain the best performance of the tool, prolong the duty life, make the Warranty valid if necessary, and to avoid hazards of fatal injuries please read and understand this Manual before using the tool.

Keep this manual for future references.

The illustrations in this manual are for reference only. They might be different from the real tool.



**MADE-6NX**

Code	•	100890
Description	•	6 kg Demolition hammer SDS MAX
Chuck	•	SDS max
Voltage	•	127 V~
Frequency	•	60 Hz
Current	•	10 A
Power	•	1200 W
Impact energy	•	14 Joules
Weight	•	6 kg
Number of impacts	•	Impact: 3 100 strokes / min
Work cycle	•	50 minutes work per 20 min rest. Maximum 6 hours daily
Conductors	•	16 AWG x 2C with an insulation temperature of 221 °F
Insulation	•	Class II
IP Grade	•	IP20

Power Cord Grips used is: Type "Y".  
Tool Build Quality: Reinforced insulation  
Thermal insulation on motor winding: Class E

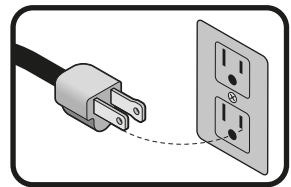
**⚠ WARNING** Avoid the risk of electric shock or severe injury. When the power cable gets damaged it should only be replaced by the manufacturer or at a **TRUPER** Authorized Service Center. The build quality of the electric insulation is altered if spills or liquid gets into the tool while in use. Do not expose to rain, liquids and/or dampness.

**⚠ WARNING** Before gaining access to the terminals all power sources should be disconnected.



## Power Requirements

**⚠ WARNING** Tools with double insulation and reinforced insulation are equipped with a polarized plug (one prong is wider than the other). This plug will only fit in the right way into a polarized outlet. If the plug cannot be introduced into the outlet, reverse the plug. If it still doesn't fit, call a qualified electrician to install for you a polarized outlet. Do not alter the plug in any way. Both insulation types eliminate the need of both a grounded third power cord with three prongs or a grounded power connection.



**⚠ WARNING** When using an extension cable, verify the gauge is enough for the power that your product needs. A lower gauge cable will cause voltage drop in the line, resulting in power loss and overheating. The following table shows the right size to use depending on cable's length and the ampere capability shown in the tool's nameplate. When in doubt use the next higher gauge.

Ampere Capacity	Number of Conductors	Extension gauge	
		from 6' to 49'	higher than 49'
from 0 A and up to 10 A	3 (one grounded)	18 AWG(*)	16 AWG
from 10 A and up to 13 A		16 AWG	14 AWG
from 13 A and up to 15 A		14 AWG	12 AWG
from 15 A and up to 20 A		8 AWG	6 AWG

\* It is safe to use only if the extensions have a built-in artifact for over current protection.

AWG = American Wire Gauge. Reference: NMX-J-195-ANCE

**⚠ WARNING** When operating power tools outdoors, use a **VOLTECK** grounded extension cable labeled "For Outdoors Use". These extensions are especially designed for operating outdoors and reduce the risk of electric shock.





## General power tool safety warnings



**⚠ WARNING! Read carefully all safety warnings and instructions listed below.** Failure to comply with any of these warnings may result in electric shock, fire and / or severe damage. **Save all warnings and instructions for future references.**

### Work area

**Keep your work area clean, and well lit.**

Cluttered and dark areas may cause accidents.



**Never use the tool in explosive atmospheres, such as in the presence of flammable liquids, gases or dust.**

Sparks generated by power tools may ignite the flammable material.



**Keep children and bystanders at a safe distance while operating the tool.**

Distractions may cause losing control.



### Electrical Safety

**The tool plug must match the power outlet. Never modify the plug in any way. Do not use any adapter plugs with grounded power tools.**

Modified plugs and different power outlets increase the risk of electric shock.



**Avoid body contact with grounded surfaces, such as pipes, radiators, electric ranges and refrigerators.**

The risk of electric shock increases if your body is grounded.

**Do not expose the tool to rain or wet conditions.**

Water entering into the tool increases the risk of electric shock.

**Do not force the cord. Never use the cord to carry, lift or unplug the tool. Keep the cord away from heat, oil, sharp edges or moving parts.**

Damaged or entangled cords increase the risk of electric shock.

**When operating a tool outdoors, use an extension cord suitable for outdoor use.**

Using an adequate outdoor extension cord reduces the risk of electric shock.

**If operating the tool in a damp location cannot be avoided, use a ground fault circuit interrupter (GFCI) protected supply.**

Using a GFCI reduces the risk of electric shock.

### Personal safety

**Stay alert, watch what you are doing and use common sense when operating a tool. Do not use a power tool while you are tired or under the influence of drugs, alcohol or medication.**

A moment of distraction while operating the tool may result in personal injury.

**Use personal protective equipment. Always wear eye protection.**

Protective equipment such as safety glasses, anti-dust mask, non-skid shoes, hard hats and hearing protection used in the right conditions significantly reduce personal injury.



**Prevent unintentional starting up. Ensure the switch is in the "OFF" position before connecting into the power source and / or battery as well as when carrying the tool.**

Transporting power tools with the finger on the switch or connecting power tools with the switch in the "ON" position may cause accidents.

**Remove any wrench or vice before turning the power tool on.**

Wrenches or vices left attached to rotating parts of the tool may result in personal injury.

**Do not overreach. Keep proper footing and balance at all times.**

This enables a better control on the tool during unexpected situations.

**Dress properly. Do not wear loose clothing or jewelry. Keep hair, clothes and gloves away from the moving parts.**

Loose clothes or long hair may get caught in moving parts.



**If you have dust extraction and recollection devices connected onto the tool, inspect their connections and use them correctly.**  
Using these devices reduce dust-related risks.

### Power Tools Use and Care

**Do not force the tool. Use the adequate tool for your application.**



The correct tool delivers a better and safer job at the rate for which it was designed.

**Do not use the tool if the switch is not working properly.**

Any power tool that cannot be turned ON or OFF is dangerous and should be repaired before operating.

**Disconnect the tool from the power source and / or battery before making any adjustments, changing accessories or storing.**

These measures reduce the risk of accidentally starting the tool.

**Store tools out of the reach of children. Do not allow persons that are not familiar with the tool or its instructions to operate the tool.**

Power tools are dangerous in the hands of untrained users.



**Service the tool. Check the mobile parts are not misaligned or stuck. There should not be broken parts or other conditions that may affect its operation. Repair any damage before using the tool.**

Most accidents are caused due to poor maintenance to the tools.



**Keep the cutting accessories sharp and clean.**

Cutting accessories in good working conditions are less likely to bind and are easier to control.

**Use the tool, components and accessories in accordance with these instructions and the projected way to use it for the type of tool when in adequate working conditions.**

Using the tool for applications different from those it was designed for, could result in a hazardous situation.

### Service

**Repair the tool in a TRUPER Authorized Service Center using only identical spare parts.**

This will ensure that the safety of the power tool is maintained.



This tool is in compliance with the Official Mexican Standard (NOM - Norma Oficial Mexicana).

# Safety warnings for the use of Hammer Drills

**TRUPER**  
*expert*


## Choose the appropriate drill or attachment

- CAUTION** • The tool is designed to work with bits or accessories with SDS-max shanks. Choose the appropriate one for the material to be worked on, this reduces the risk of serious injury and speeds up the work.
- Do not attempt to use bits that exceed the capacity of the drill.
- Use well-sharpened and well-conditioned drill bits/accessories to optimize the work.

## Before operating the hammer drill

- Take your time to evaluate the work to be done and make sure you have followed all the necessary precautions before starting to drill.

**WARNING** • Fit the accessory correctly to the chuck, otherwise it can be thrown out at high speed and cause serious injury.

**DANGER** • Before hitting a wall, floor or ceiling, make sure there are no embedded objects, such as wires or electrical conduits or pipes. 


**DANGER** • Make sure the switch is off (page 7 Start-up) before connecting the tool, otherwise it will start working unexpectedly, which can cause serious injury.

**CAUTION** • Turn off and disconnect the tool before installing or replacing an accessory.

**WARNING** • This electric tool produces an electromagnetic field during its operation that could interfere with medical implants. To reduce the risk of serious or fatal injury, it is recommended that people with medical implants consult their physician and the manufacturer of the implant before operating the tool.

## While operating the hammer drill

**CAUTION** • Hold the tool by its handle and by the auxiliary handle. Remember that loss of control can cause personal injury.

• Hold the tool by its insulating surfaces, especially when performing work where the cutting portion of the drill may contact hidden wiring or the tool's own power cord. Contact with a live wire also makes the metal parts of the tool live and can cause an electric shock to the operator. 

• Do not subject the tool to excessive stress.

**CAUTION** • If the drill bit gets stuck in the workpiece, turn off the demolition hammer immediately. Then remove the drill bit from the workpiece. Do not attempt to remove jammed bits by turning the tool on and off.


• Do not put too much pressure on the tool to speed up the drilling. Otherwise, the drill bit will be damaged and the efficiency of the tool will decrease as well as its life span.


**WARNING** • The larger the chisel area, the greater the reactive force, which can lead to a loss of control of the tool. To avoid this possibility, hold the tool firmly with both hands and maintain a balanced position on both feet while drilling at 90°.

• Be careful and ready to relax the force as soon as the drill bit penetrates the material. Sudden movements can cause accidents.

**CAUTION** • Do not touch the chisel or drill holes immediately after drilling. Wait for them to cool down before handling them. Do not try to cool them with water or oil.

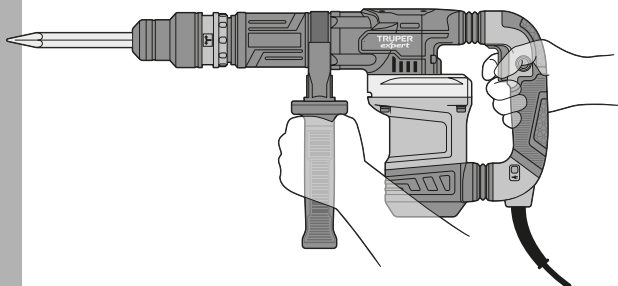
• Avoid placing the tool in a place with particles and/or dust immediately after use, these can be absorbed into the tool mechanism and thus damage it.

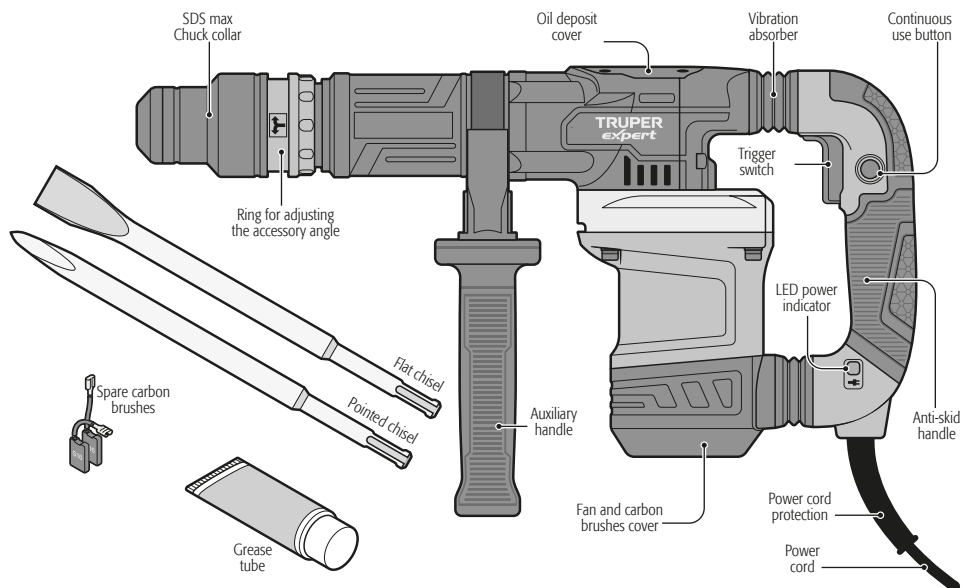
• Use headset protectors, when running services that make noise above 85 dB. Exposure to noise can cause hearing loss. 

• Use a dust mask and dust extraction equipment if necessary. Remember that working with materials such as asbestos, lead paint, additives, some types of wood, metals, or minerals is highly toxic. 

• Wear safety goggles. 

Correct way to hold  
the hammer drill



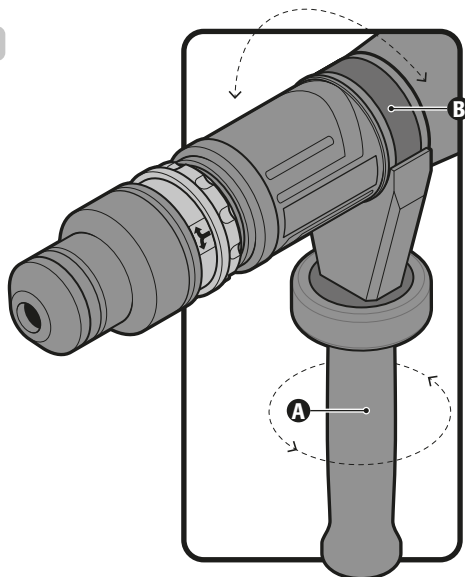


## Mounting and adjustments

### Auxiliary Handle

**CAUTION** Operate the power tool only with the auxiliary handle installed.

- The auxiliary handle can be rotated to any position for a secure, low-fatigue posture.
- Rotate the auxiliary handle grip (A) counterclockwise to loosen the mount (B) and swing the auxiliary handle to the desired position.
- Then, retighten the auxiliary handle grip by turning clockwise.
- Make sure the mount band is positioned in the proper section of the housing.




# Mounting and adjustments

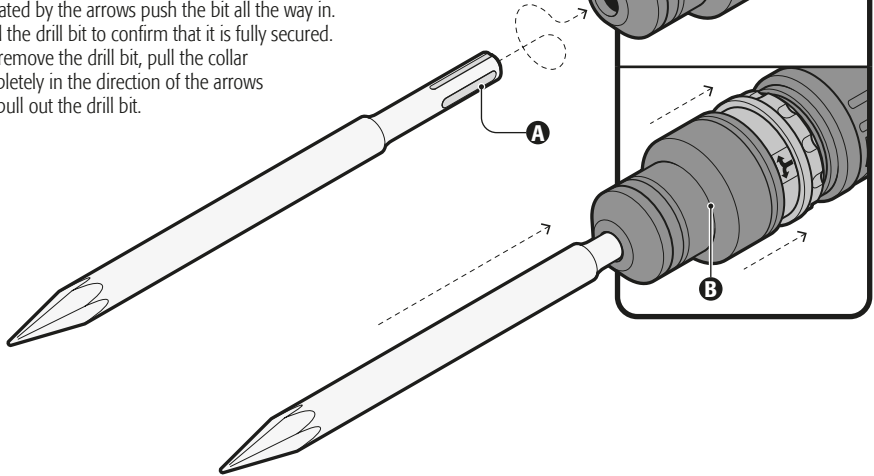
**TRUPER**  
*expert*

## Mounting accessories

**⚠ CAUTION** To prevent accidents, confirm that the switch is turned off and disconnect the plug from the power supply.

**⚠ WARNING** Always wear gloves when changing accessories. They can become extremely hot during operation. 

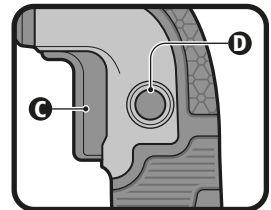
- Clean the drill bit shank (A) and apply grease before inserting it.
- Insert the accessory into the chuck. Turn the accessory slowly to feel for the point where it engages. At this point, pull the collar (B) as indicated by the arrows push the bit all the way in.
- Pull the drill bit to confirm that it is fully secured.
- To remove the drill bit, pull the collar completely in the direction of the arrows and pull out the drill bit.



## Start up

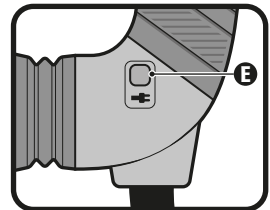
### ON and OFF

- Intermittent operation:  
Press the switch (C) to start the hammer running.  
To interrupt its use, release the switch.
- Continuous operation:  
Press the switch (C) and lock it, pressing the continuous use button (D).  
To interrupt operation, press and then release the switch.



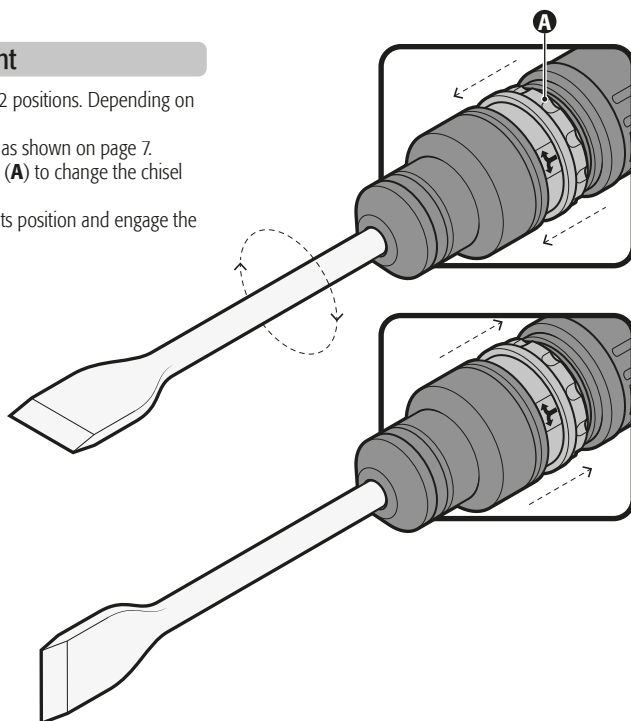
### LED indicator (E)

- The LED indicator lights up when the tool is switched on. If the LED indicator does not light up, the power cord or controller may be defective.
- The indicator starts flashing when the carbons have worn out, 8 hours later the machine will automatically switch off and cannot be switched on again until the carbons are replaced.



### Chisel angle adjustment

- The chisel can be adjusted in 12 positions. Depending on the job to be done.
- Insert the chisel into the chuck as shown on page 7.
- Push forward and turn the ring (A) to change the chisel to the desired position.
- Release the ring to return it to its position and engage the chisel.



### Additional Information

- SDS accessories require freedom to move within the chuck, which causes eccentricity when the tool is unloaded. However, the accessory automatically centers itself during operation, without affecting drilling accuracy.
- When new, the tool requires a 5-hour working time to reach maximum efficiency.





## Cleaning and Care

- Clean the machine with a soft cloth, dampened with soap and water, preferably after each use.
- Always keep the vents clean and free of obstructions to ensure proper cooling of the motor.
- Regularly inspect all mounting screws and make sure they are tightened properly. If any of the screws are loose, tighten them immediately.


## Carbon Brush Replacement

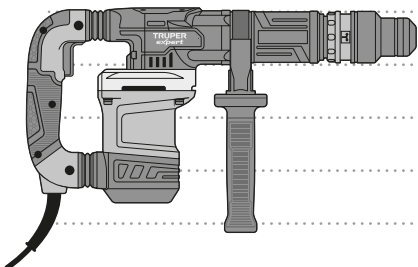
- The carbons should be checked periodically, and always be replaced by a  **TRUPER** Authorized Service Center when they have worn out.
- After they have been replaced, ask to inspect if the new carbons can move freely in the carbon holder and request that the tool be turned on for 5 minutes to match the contact of the carbons and commutator.
- Only use  **TRUPER** original replacement carbons, specifically designed with the hardness and electrical resistance for each type of motor. Out of specification carbons can damage the motor.
- When changing the carbon brushes, always replace both carbons.
- In case you have to replace the carbons yourself, please follow this order:
  1. Loosen the two fixing screws and remove the fan cover..
  2. Remove the coil spring and the carbons.
  3. After replacing the carbons, install the coil spring and fan cover, tightening the set screws securely.

## Lubrication

- The hammer drill crankshaft is lubricated with low viscosity grease so that it can be used for a long period of time without the need to replace the grease.
- Contact a  **TRUPER** Authorized Service Center to replace the grease in case of leaks.
-  **WARNING** Applying non recommended grease will cause the machine to clog, reducing its service life.

## Service


- Service to the tools shall only be carried out in a  **TRUPER** Authorized Service center. Service and maintenance carried out by unqualified persons can be dangerous and may result in personal injury and invalidate the product warranty.



In the event of any problem contacting a  **TRUPER** Authorized Service Center, please see our webpage [www.truper.com](http://www.truper.com) to get an updated list, or call our toll-free numbers **800 690-6990** or **800 0187-8737** to get information about the nearest Service Center.

- AGUASCALIENTES** **DE TODO PARA LA CONSTRUCCIÓN**  
GRAL. BARRAGÁN #1201, COL. GREMIAL, C.P. 20050,  
AGUASCALIENTES, AGS. TEL.: 449 994 0537
- BAJA CALIFORNIA** **SUCURSAL TIJUANA**  
AV. LA ENCANTADA, LOTE #5, PARQUE INDUSTRIAL EL  
FLORIDO II, C.P. 22244, TIJUANA, B.C.  
TEL.: 664 969 5100
- BAJA CALIFORNIA SUR** **FIX FERRETERÍAS**  
FELIPE ÁNGELES ESQ. RUIZ CORTÍNEZ S/N, COL. PUEBLO  
NUEVO, C.P. 23670, CD. CONSTITUCIÓN, B.C.S.  
TEL.: 615 132 1115
- CAMPECHE** **TORNILLERÍA Y FERRETERÍA AAA**  
AV. ÁLVARO OBREGÓN #324, COL. ESPERANZA  
C.P. 24080 CAMPECHE, CAMP. TEL.: 981 815 2808
- CHIAPAS** **FIX FERRETERÍAS**  
AV. CENTRAL SUR #27, COL. CENTRO, C.P. 30700,  
TAPACHULA, CHIS. TEL.: 962 118 4083
- CHIHUAHUA** **SUCURSAL CHIHUAHUA**  
AV. SILVESTRE TERRAZAS #128-11, PARQUE INDUSTRIAL  
BAFAR, CARRETERA MÉXICO CUAUHTÉMOC, C.P. 31415,  
CHIHUAHUA, CHIH. TEL.: 614 434 0052
- MEXICO CITY** **FIX FERRETERÍAS**  
EL MONSTRUO DE CORREGIDORA, CORREGIDORA # 22,  
COL. CENTRO, C.P. 06060, CUAUHTÉMOC, CDMX.  
TEL.: 55 5522 5051 / 5522 4861
- COAHUILA** **SUCURSAL TORREÓN**  
CALLE METAL MECÁNICA #280, PARQUE INDUSTRIAL  
ORIENTE, C.P. 27278, TORREÓN, COAH.  
TEL.: 871 209 68 23
- COLIMA** **BOMBAS Y MOTORES BYMTESA DE MANZANILLO**  
BLVD. MIGUEL DE LA MADRID #190, COL. 16 DE  
SEPTIEMBRE, C.P. 28239, MANZANILLO, COL.  
TEL.: 314 332 1986 / 332 8013
- DURANGO** **TORNILLOS ÁGUILA, S.A. DE C.V.**  
MAZURIÑO #200, COL. LUIS ECHEVERRÍA, DURANGO,  
DGO. TEL.: 618 817 1946 / 618 818 2844
- ESTADO DE MÉXICO** **SUCURSAL CENTRO JILOTEPEC**  
AV. PARQUE INDUSTRIAL #1-A, C.P. 54240, JILOTEPEC,  
EDO. DE MÉX. TEL.: 761 782 9101 EXT. 5728 Y 5102
- GUANAJUATO** **CÍA. FERRETERA NUEVO MUNDO S.A. DE C.V.**  
AV. MÉXICO - JAPÓN #225, CD. INDUSTRIAL, C.P. 38010,  
CELAYA, GTO. TEL.: 461 617 7578 / 79 / 80 / 88
- GUERRERO** **CENTRO DE SERVICIO ECLIPSE**  
CALLE PRINCIPAL MZ I LT. 1, COL. SANTA FE, C.P. 39010,  
CHILPANCIÑO, GRO. TEL.: 747 478 5793
- HIDALGO** **FERREPRECIOS S.A. DE C.V.**  
LIBERTAD ORIENTE #304 LOCAL 50, INTERIOR DE PASAJE  
ROBLEDO, COL. CENTRO, C.P. 43600, TULANCINGO,  
HGO. TEL.: 775 753 6615 / 775 753 6616
- JALISCO** **SUCURSAL GUADALAJARA**  
AV. ADOLFO B. HORN # 6800, COL: SANTA CRUZ DEL  
VALLE, C.P.: 45655, TLAJOMULCO DE ZUÑIGA, JAL.  
TEL.: 33 3606 5285 AL 90
- MICHOACÁN** **FIX FERRETERÍAS**  
AV. PASEO DE LA REPÚBLICA #3140-A, COL.  
EX-HACIENDA DE LA HUERTA, C.P. 58050, MORELIA,  
MICH. TEL.: 443 334 6858
- MORELOS** **FIX FERRETERÍAS**  
CAPITÁN ANZURES #95, ESQ. JOSÉ PERDIZ, COL.  
CENTRO, C.P. 62740, CUAUTLA, MOR.  
TEL.: 735 352 8951
- NAYARIT** **HERRAMIENTAS DE TEPIC**  
MAZATLAN #117, COL. CENTRO, C.P. 63000, TEPIC, NAY.  
TEL.: 111 258 0540
- NUEVO LEÓN** **SUCURSAL MONTERREY**  
CARRETERA LAREDO #300, 1B MONTERREY PARKS,  
COLONIA PUERTA DE ANAHUAC, C.P. 66052, ESCOBEDO,  
NUEVO LEÓN, TEL.: 81 8352 8791 / 81 8352 8790
- OAXACA** **FIX FERRETERÍAS**  
AV. 20 DE NOVIEMBRE #910, COL. CENTRO, C.P. 68300,  
TUXTEPEC, OAX. TEL.: 287 106 5092
- PUEBLA** **SUCURSAL PUEBLA**  
AV. PERIFÉRICO #2-A, SAN LORENZO ALMECATLA,  
C.P. 72710, CUAUTLACINGO, PUE.  
TEL.: 222 282 8282 / 84 / 85 / 86
- QUERÉTARO** **ARU HERRAMIENTAS S.A. DE C.V.**  
AV. PUERTO DE VERACRUZ #110, COL. RANCHO DE  
ENMEDIO, C.P. 76842, SAN JUAN DEL RÍO, QRO.  
TEL.: 427 268 4544
- QUINTANA ROO** **FIX FERRETERÍAS**  
CARRETERA FEDERAL MZ. 46 LT. 3 LOCAL 2, COL. EJIDAL,  
C.P. 77710 PLAYA DEL CARMEN, Q.R.  
TEL.: 984 267 3140
- SAN LUIS POTOSÍ** **FIX FERRETERÍAS**  
AV. UNIVERSIDAD #1850, COL. EL PASEO, C.P. 78320,  
SAN LUIS POTOSÍ, S.L.P. TEL.: 444 822 4341
- SINALOA** **SUCURSAL CULIACÁN**  
AV. JESÚS KUMATE SUR #4301, COL. HACIENDA DE LA  
MORA, C.P. 80143, CULIACÁN, SIN.  
TEL.: 667 173 9139 / 173 8400
- SONORA** **FIX FERRETERÍAS**  
CALLE 5 DE FEBRERO #517, SUR LT. 25 MZ. 10, COL.  
CENTRO, C.P. 85000, CD. OBREGÓN, SON.  
TEL.: 644 413 2392
- TABASCO** **SUCURSAL VILLAHERMOSA**  
CALLE HELIO LOTES 1, 2 Y 3 MZ. #1, COL. INDUSTRIAL,  
2A ETAPA, C.P. 86010, VILLAHERMOSA, TAB.  
TEL.: 993 355 7244
- TAMAULIPAS** **VM ORINGS Y REFACCIONES**  
CALLE ROSITA #527 ENTRE 20 DE NOVIEMBRE Y GRAL.  
RODRÍGUEZ, FRACC. REYNOSA, C.P. 88780, REYNOSA,  
TAMS. TEL.: 899 926 7552
- TLAXCALA** **SERVICIOS Y HERRAMIENTAS INDUSTRIALES**  
PABLO SIDAR #132, COL. BARRIO DE SAN BARTOLOMÉ,  
C.P. 90970, SAN PABLO DEL MONTE, TLAX.  
TEL.: 222 271 7502
- VERACRUZ** **LA CASA DISTRIBUIDORA TRUPER**  
BLVD. PRIMAVERA, ESQ. HORTENSIA S/N, COL.  
PRIMAVERA, C.P. 93308, POZA RICA, VER.  
TEL.: 782 823 8100 / 826 8484
- YUCATÁN** **SUCURSAL MÉRIDA**  
CALLE 33 #600 Y 602, LOCALIDAD ITZINCAB Y MULSAY,  
MPIO. UMAN, C.P. 97390, MÉRIDA, YUC.  
TEL.: 999 912 2451

Code	Model	Brand
100890	MADE-6NX	 TRUPER®

This product is guaranteed for 3 years. To make the warranty valid or purchase parts and components you must present the product in Corregidora 22, Col. Centro, Alc. Cuauhtémoc, CDMX C.P. 06060 or at the establishment where you purchased it, or at any Truper® Service Center listed in the annex to the warranty policy and/or in [www.truper.com](http://www.truper.com). Transportation costs resulting from compliance of this warranty will be covered by  TRUPER®

For questions or comments, call **800-690-6990**. Made in China. Imported by Truper S.A. de C.V. Parque Industrial 1, Jilotepec, Edo. de Méx. C.P. 54240



# 3 YEARS

Stamp of the business. Date of purchase:




# 3 AÑOS

Sello del establecimiento comercial. Fecha de compra:

Este producto está garantizado por 3 años. Para hacer válida la garantía o adquirir piezas y componentes deberá presentar el producto en Corregidora 22, Col. Centro, Alc. Cuahitémoc, CDMX C.P. 06060 o en el establecimiento donde lo compró, o en algún Centro de Servicio Truper® de los enlistados en el anexo de la póliza de garantía y/o en [www.truper.com](http://www.truper.com). Los gastos de transportación que resulten para su cumplimiento serán cubiertos por **TRUPER**.

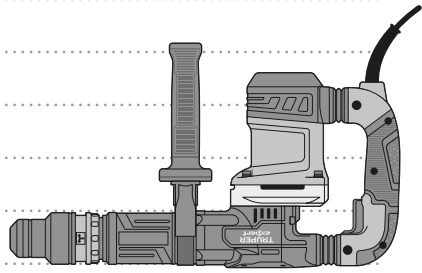
Para dudas o comentarios, llame al **800-690-6990**. Hecho en China. Importado por Truper S.A. de C.V. Parque Industrial 1, Jilotepec, Edo. de Méx. C.P. 54240

Código	Modelo	Marca
100890	MADE-6NX	 TRUPER

**Póliza de  
Garantía**

**TRUPER**  
*expert*





A series of horizontal dotted lines for writing notes, spanning the width of the page.

### Limpieza y cuidados

- Limpie la máquina con un paño suave, humedecido con agua y jabón, preferiblemente después de cada uso.
- Siempre mantenga las ventillas limpias y libres de obstrucciones para garantizar un enfriamiento adecuado del motor.
- Inspeccione regularmente todos los tornillos de montaje y asegúrese de que estén apretados correctamente. En caso de que alguno de los tornillos esté suelto, apriételo inmediatamente.

### Lubricación

- El cigüeñal del demolidor está lubricado con grasa de bajo viscosidad para que pueda ser utilizado durante un largo período sin necesidad de reemplazar la grasa.
- Acuda a un Centro de Servicio Autorizado **TRUPER** para reemplazar la grasa en caso de fuga.
- **ADVERTENCIA** Aplicar grasa no recomendada hará que la máquina se atasque, reduciendo su vida útil.

### Cambio de carbones

- Los carbones deben revisarse periódicamente, y ser reemplazados siempre por un Centro de Servicio Autorizado **TRUPER** cuando se hayan desgastado.
- Después de que hayan sido reemplazados, pida que se inspeccione si los nuevos carbones pueden moverse libremente en el porta-carbón y solicite que encendan la herramienta durante 5 minutos para emparejar el contacto de los carbones y el conmutador.
- Sólo se deben de usar carbones de repuesto **TRUPER** originales, diseñados específicamente con la dureza y la resistencia eléctrica adecuadas para cada tipo de motor. Los carbones fuera de especificaciones pueden dañar el motor.
- Cuando se haga el cambio de carbones siempre deben reemplazarse los dos carbones.
- En caso de que tenga que reemplazar los carbones por sí mismo, por favor siga este orden:
  1. Afloje los dos tornillos de fijación y retire la cubierta del ventilador.
  2. Retire el resorte helicoidal y los carbones.
  3. Después de reemplazar los carbones, instale el resorte helicoidal y la cubierta del ventilador, apretando firmemente los tornillos de fijación.

### Servicio

- El servicio de las herramientas debe ser realizado únicamente en un Centro de Servicio Autorizado **TRUPER**. El servicio y mantenimiento realizado por personas no calificadas puede resultar peligroso y llegar a ocasionar daños personales además de invalidar la garantía del producto.

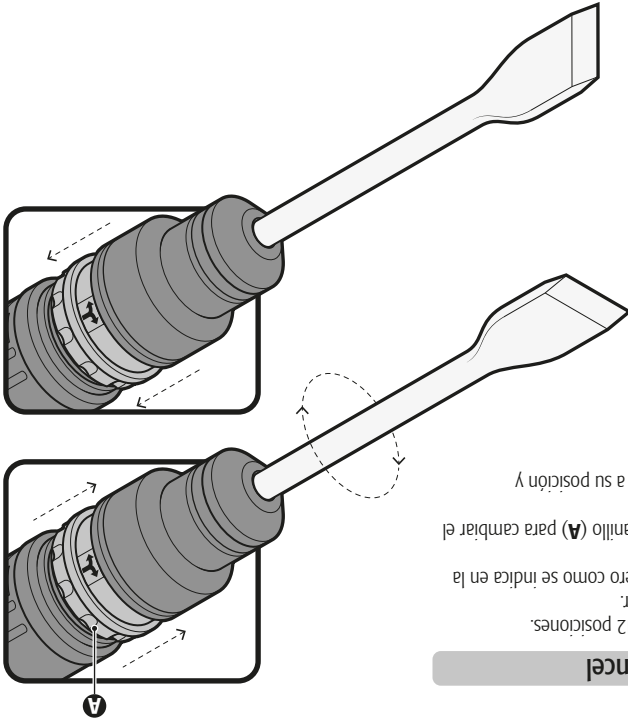


# Puesta en marcha

**TRUPER**  
expert

## Ajuste del ángulo del cincel

- El cincel puede ser ajustado en 12 posiciones. Dependiendo del trabajo a realizar.
- Introduzca el cincel en el broquero como se indica en la página 7.
- Empuje hacia adelante y gire el anillo (A) para cambiar el cincel a la posición deseada.
- Sujete el anillo para que regrese a su posición y enganche el cincel.



## Información adicional

- Los accesorios SDS requieren de libertad para moverse dentro del broquero, lo cual causa excentricidad cuando la herramienta está sin carga. Sin embargo el accesorio se centra automáticamente durante la operación, sin afectar la precisión del taladrado.
- Cuando está nueva, la herramienta requiere de un lapso de 5 horas de trabajo para alcanzar su máxima eficiencia.

# Montaje y ajustes

## Montaje de accesorios

**¡ATENCIÓN!** Para prevenir accidentes, confirme que el interruptor esté apagado y desconecte la clavija del suministro eléctrico.

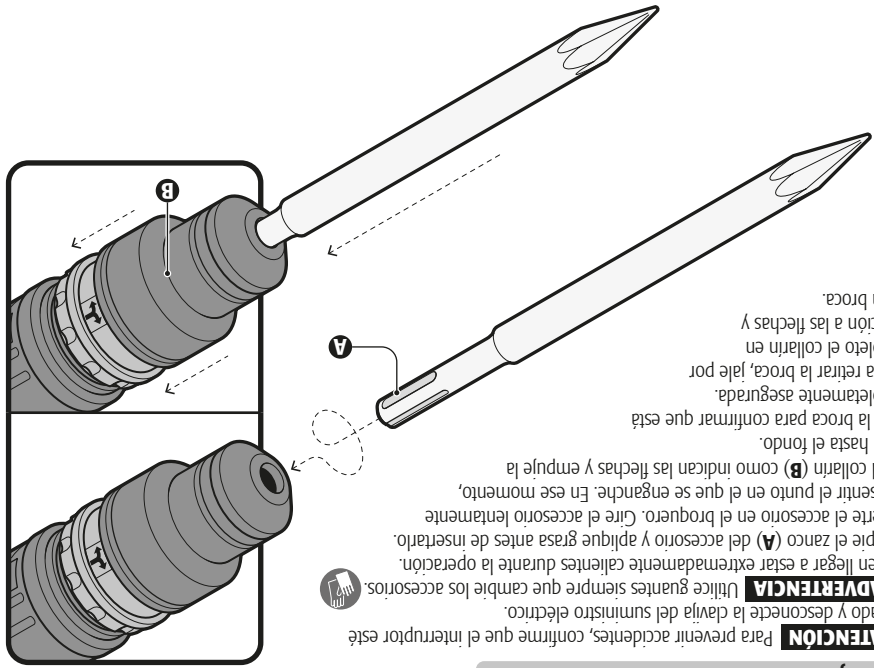


**¡ADVERTENCIA!** Utilice guantes siempre que cambie los accesorios. Pueden llegar a estar extremadamente calientes durante la operación.

- Limpie el zanco (A) del accesorio y aplique grasa antes de insertarlo.
- Inserte el accesorio en el broquero. Círe el accesorio lentamente para sentir el punto en el que se enganche. En ese momento, jale el collarín (B) como indican las flechas y empuje la broca hasta el fondo.

- Jale la broca para confirmar que está completamente asegurada.

- Para retirar la broca, jale por completo el collarín en dirección a las flechas y jale la broca.



# Puesta en marcha

## Encendido y apagado

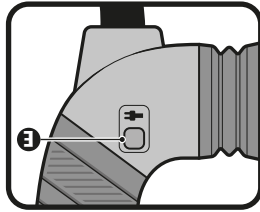
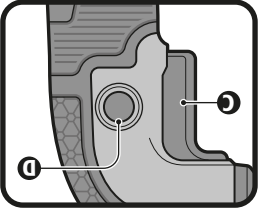
- Operación intermitente: Presione el interruptor (C) para que el martillo empiece a funcionar.

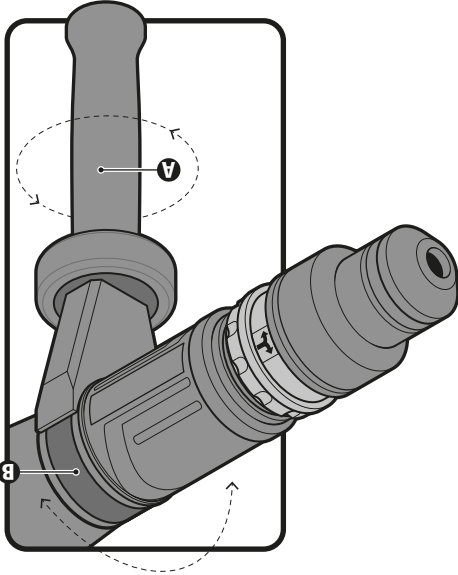
- Operación continua: Para interrumpir su uso, suelte el interruptor.

- Presione el interruptor (C) y bloquéelo, apretando el botón de uso continuo (D). Para interrumpir su funcionamiento, presione y después suelte el interruptor.

## LED indicador (E)

- El indicador LED se enciende cuando la herramienta está conectada. Si el LED indicador no se enciende, puede que el cable de alimentación o el controlador estén defectuosos.
- El indicador comienza a parpadear cuando se han desgastado los carbones, 8 horas después la máquina se apagará automáticamente y no podrá encenderse de nuevo hasta reemplazar los carbones.

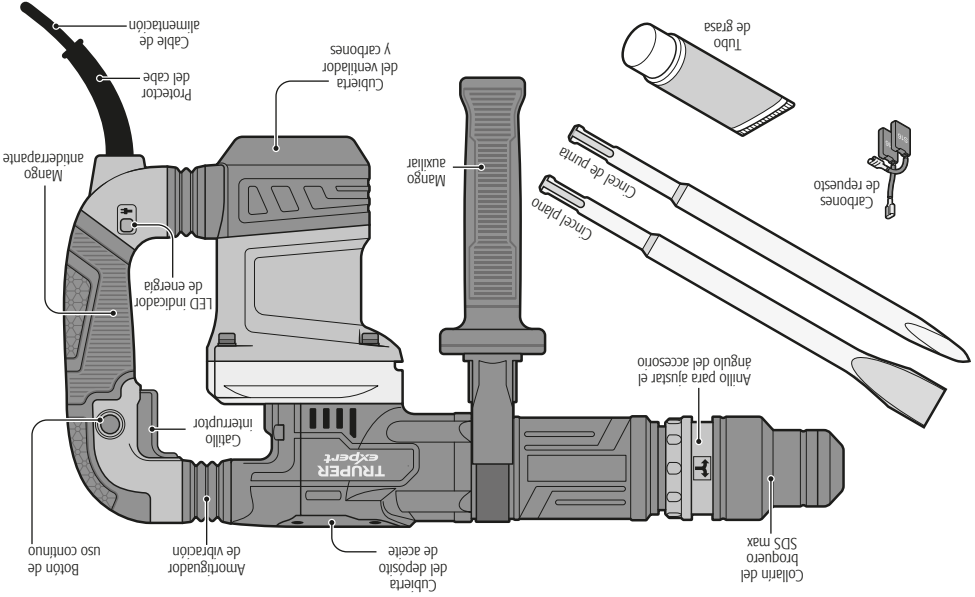




- ⚠ ATENCIÓN** Opere la herramienta eléctrica solamente con el mango auxiliar instalado.
- El mango auxiliar se puede rotar hasta cualquier posición, para lograr una postura segura y de baja fatiga.
  - Cierre la empuñadura del mango auxiliar (A) en dirección contraria a las manecillas del reloj para aflojar la montura (B) y balancee el mango auxiliar a la posición deseada.
  - Entonces, vuelva a apretar la empuñadura del mango auxiliar girando en dirección a las manecillas del reloj.
  - Asegúrese que la banda de la montura esté colocada en la sección adecuada de la carcasa.

**Mango auxiliar**

**Montaje y ajustes**



**Partes**

### Elija la broca o accesorio apropiados

- **ATENCIÓN** • La herramienta está diseñada para trabajar con brocas o accesorios con zancos SDS-max. Elija el apropiado para el material a trabajar, esto reduce el riesgo de lesiones graves y agilita el trabajo.
- No intente utilizar brocas que excedan la capacidad del broquero.
- Utilice brocas / accesorios bien afilados y en buenas condiciones para optimizar el trabajo.

### Antes de operar el demolidor

- Tómese su tiempo para evaluar el trabajo a realizar y asegúrese de haber respetado todas las precauciones necesarias antes de comenzar a taladrar.

#### ADVERTENCIA

- Ajuste correctamente el accesorio al broquero, de lo contrario, éste puede salir despedido a gran velocidad y provocar lesiones graves.

#### PELIGRO

- Antes de golpear en una pared, suelo o techo, asegúrese de que no haya objetos empotrados, tales como cables o conducciones eléctricas o tuberías.

#### PELIGRO

- Asegúrese que el interruptor esté apagado (página 7 Encendido y apagado) antes de conectar la herramienta, de lo contrario esta comenzará a funcionar inesperadamente, pudiendo provocar lesiones graves.

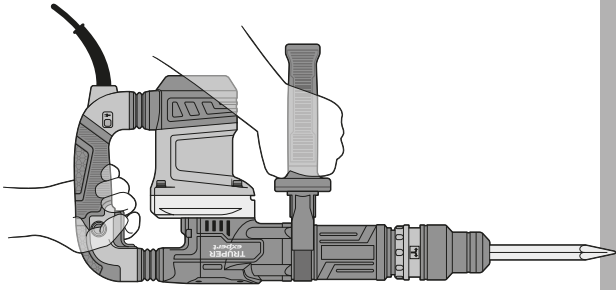
#### ATENCIÓN

- Apague y desconecte la herramienta antes de cambiar la velocidad de trabajo, así como de instalar o reemplazar un accesorio.

#### ADVERTENCIA

- Esta herramienta eléctrica produce un campo electro-magnético durante su operación que podría interferir con implantes médicos. Para reducir el riesgo de lesiones importantes o fatales, se recomienda a las personas con implantes médicos, consultar con su médico y con el fabricante del implante antes de operar la herramienta.

### Forma correcta de sostener el demolidor



### Mientras opera el demolidor

- **ATENCIÓN** • Sostenga la herramienta por su mango y por el mango auxiliar. Recuerde que la pérdida de control puede causar lesiones personales.
- Sostenga la herramienta por las superficies aislantes, sobre todo al realizar trabajos en los que la parte de corte de la broca pueda hacer contacto con cablesados eléctricos. El contacto con un cable conductor de corriente hace que las piezas metálicas de la herramienta también tengan corriente y puedan provocar una descarga eléctrica al operador.
- No someta la herramienta a esfuerzos excesivos.
- Si la broca se atasca en la pieza de trabajo, apague el demolidor de inmediato. Luego retire la broca de la pieza de trabajo. No intente retirar las brocas atoradas encendiendo y apagando la herramienta.
- No ejerza demasiada presión a la herramienta con tal de acelerar la perforación. De lo contrario la broca se dañará y la eficiencia de la herramienta disminuirá al igual que su vida útil.

#### ADVERTENCIA

- En cuanto más grande sea el área del cancel, la fuerza reactiva es mayor, lo que puede provocar una pérdida del control de la herramienta. Para evitar esta posibilidad sujete firmemente la herramienta con ambas manos y mantenga una posición equilibrada sobre ambos pies mientras perfora a 90°.

#### ATENCIÓN

- Este atento y preparado para relajar la fuerza en cuanto la broca atraviese el material. Los movimientos repentinos pueden provocar accidentes.

#### ATENCIÓN

- No toque el cancel ni las perforaciones inmediatamente después de taladrar. Espere a que se enfríen para manipularlas. No intente entrarlas con agua o aceite.

#### ATENCIÓN

- Evite colocar la herramienta en un sitio con partículas y/o polvo volvo inmediatamente después de haber sido usada, herramienta y así dañarla.

#### ATENCIÓN

- Utilice protectores auriculares, cuando ejecute servicios que hagan ruidos superiores a 85 dB. La exposición al ruido puede causar pérdida auditiva.

#### ATENCIÓN

- Utilice mascarilla anti-polvo y un equipo extractor de polvo si es necesario. Recuerde que trabajar materiales como asbesto, pinturas con plomo, aditivos, algunos tipos de madera, metales o minerales es altamente tóxico.

#### ATENCIÓN

- Utilice gafas de seguridad.

# Advertencias generales de seguridad

**¡ADVERTENCIA! Lea detenidamente todas las advertencias de seguridad y todas las instrucciones que se enlistan a continuación.** La comisión de alguna de ellas puede dar como resultado un choque eléctrico, incendio y/o daño serio. **Conserve las advertencias y las instrucciones para futuras referencias.**

Retire cualquier llave o herramienta de ajuste antes de arrancar la herramienta eléctrica. Las llaves o herramientas que quedan en las partes rotativas de la herramienta pueden causar un daño personal.

No sobrepase su campo de acción. Mantenga ambos pies bien asentados sobre el suelo y conserve el equilibrio en todo momento.

Esto permite un mejor control de la herramienta en situaciones inesperadas. Vista adecuadamente. No vista ropa suelta o joyas. Mantenga su pelo, su ropa y guantes alejados de las piezas en movimiento. La ropa o el pelo sueltos o las joyas pueden quedar atrapados en las piezas en movimiento.

En caso de contar con dispositivos de extracción y recolección de polvo conectados a la herramienta, verifique sus conexiones y úselos correctamente. El uso de estos dispositivos reduce los riesgos relacionados con el polvo.

**Uso y cuidados de la herramienta**  
No fuerce la herramienta. Use la herramienta adecuada para el trabajo a realizar. La herramienta adecuada hace un trabajo mejor y más seguro cuando se usa al ritmo para el que fue diseñado.

No use la herramienta si el interruptor no funciona. Cualquier herramienta eléctrica que no pueda encenderse o apagarse es peligrosa y debe repararse antes de ser operada. Descargue la herramienta de la fuente de alimentación y/o de la batería antes de efectuar cualquier ajuste, cambiar accesorios o almacenarla. Estas medidas reducen el riesgo de arrancar la herramienta accidentalmente.

Almacene las herramientas fuera del alcance de los niños y no permita su manejo por personas no familiarizadas con las herramientas o con las instrucciones. Las herramientas eléctricas son peligrosas en manos no entrenadas.

Dele mantenimiento a la herramienta. Compruebe que las partes móviles no estén desalineadas o trabadas, que no haya piezas rotas u otras condiciones que puedan afectar su operación. Repare cualquier daño antes de usar la herramienta. Muchos accidentes son causados por el escaso mantenimiento de las herramientas.

Mantenga los accesorios de corte afilados y limpios. Los accesorios de corte en buenas condiciones son menos probables de trabarse y más fáciles de controlar.

Use la herramienta, sus componentes y accesorios de acuerdo con estas instrucciones y de la manera prevista para el tipo de herramienta, en condiciones de trabajo adecuadas. El uso de la herramienta para aplicaciones diferentes para las que está diseñada podría causar una situación de peligro.

Repare la herramienta en un Centro de Servicio Autorizado **TRUPER** usando sólo piezas de repuesto idénticas. Para mantener la seguridad de la herramienta.

# TRUPER expert

**Área de trabajo**  
Mantenga el área de trabajo limpia y bien iluminada. Las áreas desordenadas y oscuras son propensas a accidentes.

No maneje la herramienta en ambientes explosivos, como en presencia de líquido, gas o polvo inflamables. Las herramientas eléctricas producen chispas que pueden encender material inflamable.

Mantenga alejados a los niños y curiosos cuando opere la herramienta. Las distracciones pueden hacer que pierda el control.

**Seguridad eléctrica**  
La caja de la herramienta debe coincidir con el tomacorriente. Nunca modifique una caja. No use ningún tipo de adaptador para cajas de herramientas puestas a tierra. Clavijas modificadas y enchufes diferentes aumentan el riesgo de choque eléctrico.

Evite el contacto del cuerpo con superficies puestas a tierra como tuberías, radiadores, cocinas eléctricas y refrigeradores. Hay un mayor riesgo de choque eléctrico si el cuerpo está puesto a tierra.

No exponga la herramienta a la lluvia o condiciones de humedad. El agua que ingresa en la herramienta aumenta el riesgo de choque eléctrico. No fuerce el cable. Nunca use el cable para transportar, levantar o desconectar la herramienta. Mantenga el cable lejos del calor, aceite, orillas afiladas o piezas en movimiento. Los cables dañados o enredados aumentan el riesgo de choque eléctrico.

Cuando maneje una herramienta en exteriores, use una extensión especial para uso en exteriores. El uso de una extensión adecuada para exteriores reduce el riesgo de choque eléctrico.

Si el uso de la herramienta en un lugar húmedo es inevitable, use una alimentación protegida por un interruptor de circuito de falla a tierra (GFCI). El uso de un GFCI reduce el riesgo de choque eléctrico.

## Seguridad personal

Esté alerta, vigile lo que está haciendo y use el sentido común cuando maneje una herramienta. No la use si está cansado o bajo la influencia de drogas, alcohol o medicamentos. Un momento de distracción mientras maneja la herramienta puede causar un daño personal.

Use equipo de seguridad. Use siempre protección para los ojos. El uso de un equipo de seguridad como lentes de seguridad, mascarilla antipolvo, gafas, reduce de manera significativa los daños personales.

Evite arranques accidentales. Asegúrese de que el interruptor está en posición "apagado" antes de conectar a la fuente de alimentación y/o a la batería o transportar la herramienta. Transportar herramientas eléctricas con el dedo sobre el interruptor o conectar herramientas eléctricas que tienen el interruptor en posición de "encendido" puede causar accidentes.

Use el equipo de seguridad. Use siempre protección para los ojos. El uso de un equipo de seguridad como lentes de seguridad, mascarilla antipolvo, gafas, reduce de manera significativa los daños personales.

Use el equipo de seguridad. Use siempre protección para los ojos. El uso de un equipo de seguridad como lentes de seguridad, mascarilla antipolvo, gafas, reduce de manera significativa los daños personales.



Esta herramienta cumple con la Norma Oficial Mexicana (NOM).

# Especificaciones técnicas

**TRUPER**  
expert

**MADE-6NX**

• Código 100890

• Descripción Martillo de demolición SDS MAX de 6 kg

• Brochero SDS max

• Tensión 127 V ~

• Frecuencia 60 Hz

• Corriente 10 A

• Potencia 1 200 W

• Peso 6 kg

• Número de impactos Impacto: 3 100 golpes/min

• Ciclo de trabajo 50 min de trabajo por 20 min de descanso. Máximo 6 horas diarias.

• Conductores 16 AWG x 2C con temperatura de aislamiento de 105 °C

• Aislamiento Clase II

• Grado IP IP20

El cable de alimentación tiene sujeta-cables tipo: Y  
La clase de construcción de la herramienta es: Aislamiento reforzado.  
La clase de aislamiento térmico de los devanados del motor: Clase E

**ADVERTENCIA** Si el cable de alimentación se daña, éste debe ser reemplazado por el fabricante o Centro de Servicio Autorizado **TRUPER**, con el fin de evitar algún riesgo de descarga o accidente considerable.  
La construcción del aislamiento eléctrico de esta herramienta es alterado por saipicaduras o derramamiento de líquidos durante su operación. No la exponga a la lluvia, líquidos y/o humedad.

**ADVERTENCIA** Antes de obtener acceso a las terminales, todos los circuitos de alimentación deben ser desconectados.

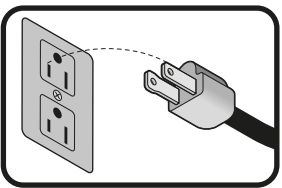


## Requerimientos eléctricos

**ADVERTENCIA** Las herramientas de doble aislamiento y aislamiento reforzado están equipadas con una clavija polarizada (una pata es más ancha que la otra). Esta clavija cabe en cualquier enchufe polarizado y sólo puede conectarse de una forma. Si la clavija no cabe en el enchufe, voltímetro. Si aún así no cabe, póngase en contacto con un electricista calificado o instale un enchufe polarizado. No altere la clavija en forma alguna. El doble aislamiento elimina la necesidad de un cable de corriente de tres partes con conexión a tierra o de un sistema de corriente eléctrica con conexión a tierra.



**ADVERTENCIA** Al usar un cable de extensión, asegúrese de usar el calibre suficiente para transportar la corriente que consumirá su herramienta. Un cable de un calibre inferior ocasionará caídas de tensión en la línea, teniendo como resultado pérdida de potencia y sobrecalentamiento del motor. La siguiente tabla muestra el tamaño correcto que debe usarse dependiendo de la longitud del cable y de la capacidad de amperes indicada en la placa de datos de la herramienta. Si tiene dudas use el siguiente calibre más alto.



**Capacidad en Amperes** | **Número de conductores** | **Calibre de extensión mayor de 15 m**

de 0 A hasta 10 A	18 AWG(*)	de 1.8 m a 15 m	16 AWG
de 10 A hasta 13 A	16 AWG		14 AWG
de 13 A hasta 15 A	14 AWG		12 AWG
de 15 A hasta 20 A	8 AWG		6 AWG

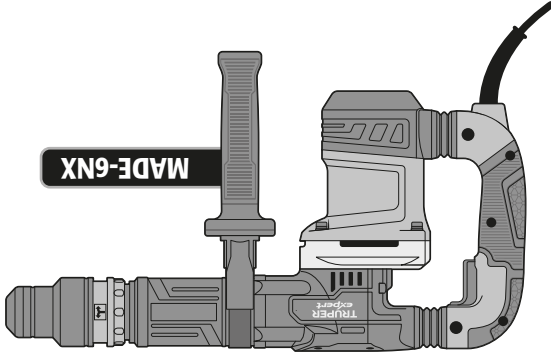
\* Se permite utilizarlo siempre y cuando las extensiones mismas cuenten con un artefacto de protección contra sobrecorriente.  
AWG = Calibre de alambre estadounidense (American Wire Gauge). Referencia: NMW-F-195-AWNC.

**ADVERTENCIA** Al operar herramientas eléctricas en exteriores, utilice una extensión aterrizada marcada como "Uso exterior" marca **VOLTECK**. Estas extensiones son especiales para el uso en exteriores y reducen el riesgo de sufrir una descarga eléctrica.



ESPAÑOL

3



Para poder sacar el máximo provecho de la herramienta, alargar su vida útil, hacer válida la garantía y evitar riesgos o lesiones graves, es fundamental leer este instructivo por completo antes de usar la herramienta.

Guarde este instructivo para futuras referencias. Los gráficos de este instructivo son para referencia, pueden variar del aspecto real de la herramienta.

**ATENCIÓN**

- 3 Especificaciones técnicas.
- 3 Requerimientos eléctricos.
- 4 Advertencias generales de seguridad para herramientas eléctricas.
- 5 Advertencias de Seguridad para uso de demolidores.
- 6 Partes.
- 6 Montaje y ajustes.
- 7 Puesta en marcha.
- 9 Mantenimiento.
- 10 Notas.
- 11 Centros de Servicio Autorizados.
- 12 Poliza de Garantía.

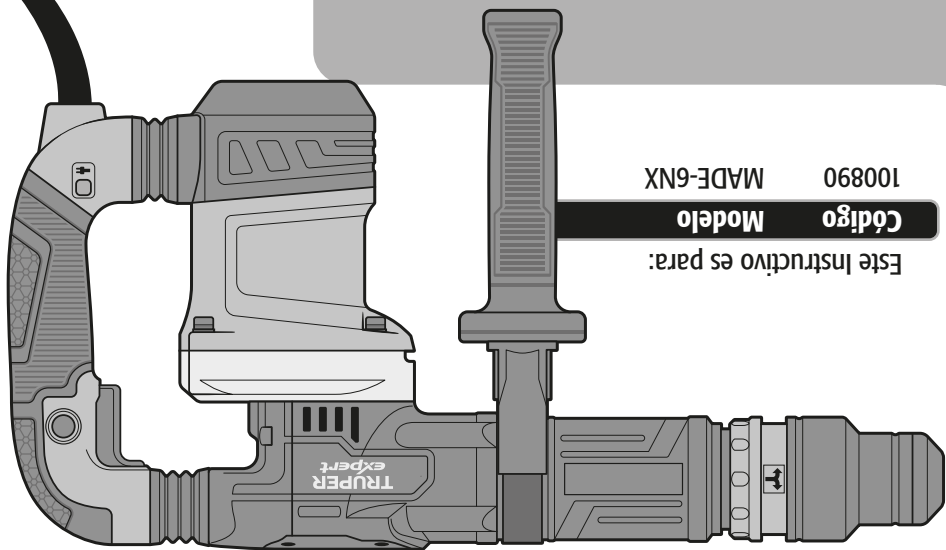


Lea este instructivo por completo antes de usar la herramienta.



**ATENCIÓN**

**MADE-6NX**



Este instructivo es para:  
**Código** 100890  
**Modelo** MADE-6NX

**Martillo de demolición  
SDS MAX de 6 kg**

**14 joules**  
Energía  
de impacto

**TRUPER**  
*expert*

ESPAÑOL  
ENGLISH