

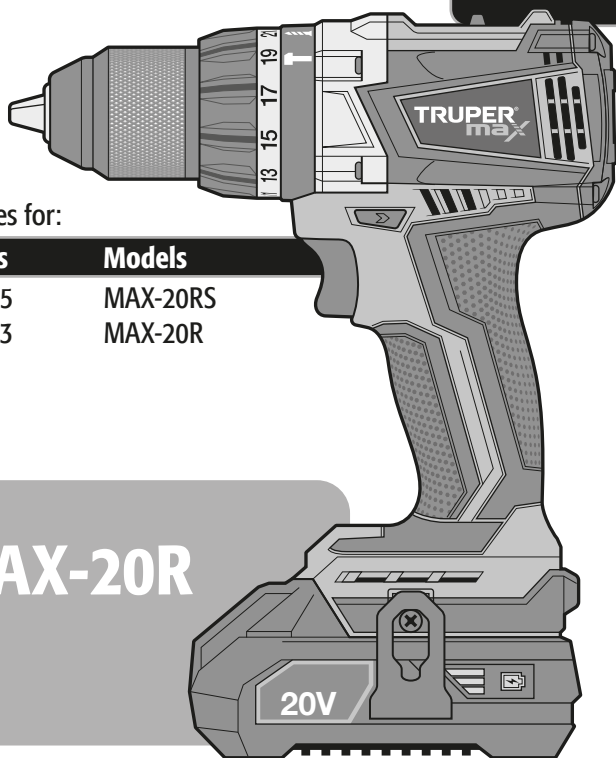
ENGLISH  
ESPAÑOL

# TRUPER<sup>®</sup> max

Manual

## Cordless hammer drill / drill / screwdriver

20 V<sup>≡</sup> 1/2"  
Chuck



Applies for:

Codes	Models
101405	MAX-20RS
101453	MAX-20R

### MAX-20R

**CAUTION**



Read this manual thoroughly  
before using the tool.



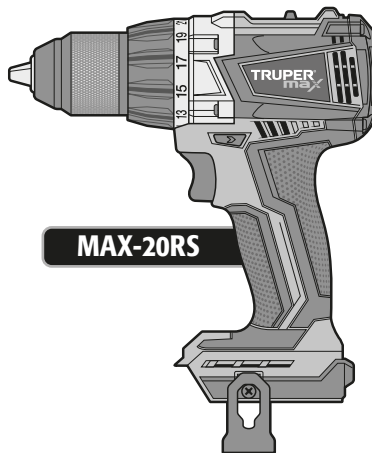
Technical data .....	<b>3</b>
Power requirements .....	<b>3</b>
 Safety warnings for power tools .....	<b>4</b>
 Safety warnings for hammer drills / drills / drivers .....	<b>5</b>
Parts .....	<b>6</b>
Preparation .....	<b>6</b>
Start up .....	<b>9</b>
Troubleshooting .....	<b>10</b>
Maintenance .....	<b>10</b>
Environmental protection .....	<b>10</b>
Authorized service centers .....	<b>11</b>
Warranty policy .....	<b>12</b>

### **CAUTION**

To gain the best performance of the tool, prolong the duty life, make the Warranty valid if necessary, and to avoid hazards of fatal injuries please read and understand this manual before using the tool.

Keep this manual for future references.

The illustrations in this manual are for reference only. They might be different from the real tool.






# Technical data

# TRUPER<sup>max</sup>


	MAX-20R	MAX-20RS
Code	101453	101405
Description	Cordless hammer drill / drill / screwdriver	
Chuck	1/2" keyless	
Voltage	20 V $\equiv$	
Functions	Hammer drill / drill / driver with 21 torque functions	
Speed	Drill: 0 - 500 RPM and 0 - 1 800 RPM	
Strokes per minute	Hammer Drill: 0 - 7 500 BPM and 0 - 27 000 BPM	
Rotation	Forward - Reverse	
Torque	Strong: 39 Nm / Soft: 8 Nm	
Boring capacity	Concrete: 1/2"   Wood: 1 1/4"   Metal: 1/2"	
IP Grade	IP20	
<b>MAX-20R</b> Battery	Ion-Lithium 20 V $\equiv$ 2 Ah   Charging time: 60 min approximately.	
<b>MAX-20R</b> Charger	Input: Voltage: 127 V $\sim$ Output: 21.5 V $\equiv$ 3.5 A Frequency: 60 Hz Current: 1.1 A	

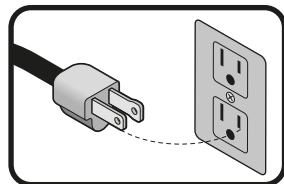
Charger power cord grips used in this product: Type "Y".  
Tool build quality: Class III  
Charger tool build quality: Reinforced insulation.

**⚠ WARNING** Avoid the risk of electric shock or severe injury. When the power cable gets damaged it should only be replaced by the manufacturer or at a  **TRUPER** Authorized Service Center. The build quality of the electric insulation is altered if spills or liquid gets into the tool while in use.    
Do not expose to rain, liquids and/or dampness.

**⚠ WARNING** Before gaining access to the terminals all power sources should be disconnected.

## Power requirements

**⚠ WARNING** Tools with double insulation and reinforced insulation are equipped with a polarized plug (one prong is wider than the other). This plug will only fit in the right way into a polarized outlet. If the plug cannot be introduced into the outlet, reverse the plug. If it still doesn't fit, call a qualified electrician to install for you a polarized outlet. Do not alter the plug in any way. Both types of insulation eliminates the need of both a grounded third power cord with three prongs or a grounded power connection. 





**⚠ WARNING** When using an extension cable, verify the gauge is enough for the power that your product needs. A lower gauge cable will cause voltage drop in the line, resulting in power loss and overheating. The following table shows the right size to use depending on cable's length and the ampere capability shown in the tool's nameplate. When in doubt use the next higher gauge.

Ampere Capacity	Number of Conductors	Extension gauge	
		from 6 ft to 49 ft	higher than 49 ft
from 0 A and up to 10 A	3 (one grounded)	18 AWG(*)	16 AWG
from 10 A and up to 13 A		16 AWG	14 AWG
from 13 A and up to 15 A		14 AWG	12 AWG
from 15 A and up to 20 A		8 AWG	6 AWG

\* It is safe to use only if the extensions have a built-in artifact for over current protection.

AWG = American Wire Gauge. Reference: NMX-J-195-ANCE

**⚠ WARNING** When operating power tools outdoors, use a  **VOLTECK** grounded extension cable labeled "For Outdoors Use". These extensions are especially designed  for operating outdoors and reduce the risk of electric shock.



## Safety warnings for power tools



**! WARNING! Read carefully all safety warnings and instruction listed below.** Failure to comply with any of these warnings may result in electric shock, fire and / or severe damage. **Save all warnings and instructions for future references.**

### Work area

**Keep your work area clean, and well lit.**

Cluttered and dark areas may cause accidents.



**Never use the tool in explosive atmospheres, such as in the presence of flammable liquids, gases or dust.**

Sparks generated by power tools may ignite the flammable material.



**Keep children and bystanders at a safe distance while operating the tool.**

Distractions may cause losing control.



### Electrical safety

**The tool plug must match the power outlet. Never modify the plug in any way. Do not use any adapter plugs with grounded power tools.**

Modified plugs and different power outlets increase the risk of electric shock.



**Avoid body contact with grounded surfaces, such as pipes, radiators, electric ranges and refrigerators.**

The risk of electric shock increases if your body is grounded.

**Do not expose the tool to rain or wet conditions.**

Water entering into the tool increases the risk of electric shock.

**Do not force the cord. Never use the cord to carry, lift or unplug the tool. Keep the cord away from heat, oil, sharp edges or moving parts.**

Damaged or entangled cords increase the risk of electric shock.

**When operating a tool outdoors, use an extension cord suitable for outdoor use.**

Using an adequate outdoor extension cord reduces the risk of electric shock.

**If operating the tool in a damp location cannot be avoided, use a ground fault circuit interrupter (GFCI) protected supply.**

Using a GFCI reduces the risk of electric shock.

### Personal safety

**Stay alert, watch what you are doing and use common sense when operating a tool. Do not use a power tool while you are tired or under the influence of drugs, alcohol or medication.**

A moment of distraction while operating the tool may result in personal injury.

**Use personal protective equipment. Always wear eye protection.**

Protective equipment such as safety glasses, anti-dust mask, non-skid shoes, hard hats and hearing protection used in the right conditions significantly reduce personal injury.



**Prevent unintentional starting up. Ensure the switch is in the "OFF" position before connecting into the power source and / or battery as well as when carrying the tool.**

Transporting power tools with the finger on the switch or connecting power tools with the switch in the "ON" position may cause accidents.

**Remove any wrench or vice before turning the power tool on.**

Wrenches or vices left attached to rotating parts of the tool may result in personal injury.

**Do not overreach. Keep proper footing and balance at all times.**

This enables a better control on the tool during unexpected situations.

**Dress properly. Do not wear loose clothing or jewelry. Keep hair, clothes and gloves away from the moving parts.**

Loose clothes, jewelry or long hair may get caught in moving parts.



**If you have dust extraction and recollection devices connected onto the tool, inspect their connections and use them correctly.**

Using these devices reduce dust-related risks.

### Power tools use and care

**Do not force the tool. Use the adequate tool for your application.**

The correct tool delivers a better and safer job at the rate for which it was designed.



**Do not use the tool if the switch is not working properly.**

Any power tool that cannot be turned ON or OFF is dangerous and should be repaired before operating.

**Disconnect the tool from the power source and / or battery before making any adjustments, changing accessories or storing.**

These measures reduce the risk of accidentally starting the tool.

**Store tools out of the reach of children. Do not allow persons that are not familiar with the tool or its instructions to operate the tool.**

Power tools are dangerous in the hands of untrained users.



**Service the tool. Check the mobile parts are not misaligned or stuck. There should not be broken parts or other conditions that may affect its operation. Repair any damage before using the tool.**

Most accidents are caused due to poor maintenance to the tools.



**Keep the cutting accessories sharp and clean.**

Cutting accessories in good working conditions are less likely to bind and are easier to control.

**Use the tool, components and accessories in accordance with these instructions and the projected way to use it for the type of tool when in adequate working conditions.**

Using the tool for applications different from those it was designed for, could result in a hazardous situation.

### Battery tool use and care

**Recharge only with the charger specified by TRUPER.**

A charger that is suitable for one type of battery pack may create a risk of fire when used with another battery pack.

**Use power tools only with specifically designated battery packs.**

Use of any other battery packs may create a risk of injury and fire.

**When battery pack is not in use, keep it away from other metal objects, like paper clips, coins, keys, nails, screws, or other small metal objects, that can make a connection from one terminal to another.**

Shorting the battery terminals together may cause burns or a fire.

**Under abusive conditions, liquid may be ejected from the battery; avoid contact. If contact accidentally occurs, flush with water. If liquid contacts eyes, additionally seek medical help.**

Liquid ejected from the battery may cause irritation or burns.

### Service

**Repair the tool in a TRUPER Authorized Service Center using only identical spare parts.**

This will ensure that the safety of the power tool is maintained.

# Safety warnings for Hammer drills / Drills / Drivers

**TRUPER**  
max

## Battery and charger

**⚠ DANGER** • Use only Truper Max chargers to charge the battery. Using a different charger may cause fire or injury hazard.

**⚠ DANGER** • Use only batteries specifically designed for the tool. Different batteries could generate risk of injury or fire.

**⚠ DANGER** • Do not use the charger outdoors. • When charging, obey the “+/-” polarity. • Never recharge a leaking battery or that is visibly damaged.

• Do not use batteries or a charger for purposes different that it was designed for. • Do not modify the battery contacts or the chargers. • Do not expose the battery pack or the tool to fire or extreme temperatures. Exposure to fire or temperatures above 130 °C can cause an explosion.

**⚠ DANGER** • Never expose the batteries to fire or impact. They could explode.

**⚠ CAUTION** • Batteries shall be kept away from metallic objects like clips, coins, keys, nails, screws or other type of object making contact with the terminals. It would cause a short circuit and burns or fire. They should be kept clean, dry and in good repair.

**⚠ CAUTION** • Under extreme conditions the battery liquid could spill out. Avoid any contact. If an accidental contact happens clean with enough water. If the battery liquid comes into contact with your eyes, clean with enough water and immediately go see the doctor. Liquid expelled from the batteries could cause irritation or burns. • Remove battery when not in use.

**⚠ CAUTION** • If the battery will be stored for long periods of time, keep an intermediate charge (40%) to maximize its useful life. Do not leave it completely charged for long periods of time, or leave it charging when not in use.

• Keep batteries away from children reach. • Do not discard batteries together with household trash. Go to a specialized center for it's recycling.

## Choose the right bit

**⚠ CAUTION** • Choose the right bit for the work piece. It reduces the risk of severe injury and makes the job easier.

• To work on metal or plastic, use bits suitable for metal. Sizes encompass a minimum of 0.05” and up to the chuck maximum capacity. • On wood, use regular bits suitable for wood. In any case, to drill 0.25” or smaller orifices, use bits designed to drill on metal. • Do not try using bits exceeding the chuck capacity.

## Before operating the tool

• Take your time to assess the job to be done and double check you are paying attention to the necessary caution advices before starting to drill. • Adjust correctly the bit into the chuck.

**⚠ DANGER** • Before boring a wall, floor or ceiling, double check there are no hidden objects, like cables, power conductors or pipes.

**⚠ DANGER** • Verify the switch is in the OFF position before inserting the battery. Otherwise it will start working unexpectedly, causing severe injuries.

**⚠ CAUTION** • Turn off and disconnect the tool before reversing the chuck rotation direction, as well as setting up or replacing a bit.

Use auxiliary handles, if supplied with the tool. Loss of control can cause personal injury.

## While operating the tool

• Hold the tool by it's isolated surfaces designed for that purpose, especially when making jobs where the bit might contact hidden wiring. Contact with a power cable makes the metallic parts of the tool will be energized as well and produce a short circuit to the operator.

• Do not submit the tool to excessive loads.

**⚠ CAUTION** • If the bit gets stuck in the work piece, turn off the tool immediately. Then, remove the bit from the work piece. Do not try to remove stuck bits turning on and off the tool.

• Do not put excessive pressure on the tool to accelerate boring. Otherwise the bit will get damaged and the tool efficiency will diminish as well as it working life.

**⚠ WARNING** • The largest the bit diameter, the reactive force is higher. The reactive force is higher causing loss of control over the tool. To prevent this possibility hold firmly the tool with both hands, and keep good footing while boring at 90°.

• Stay alert and ready to relax the force when the bit goes through the material. Sudden movements can break the bit or damage the tool.

**⚠ CAUTION** • Do not touch the bit or the orifices immediately after drilling. Wait for them to cool off to manipulate. Do not try to cool them with water or oil.

• Before leaving the tool aside make sure all the moving parts have come to a complete stop.

• Avoid setting the tool where there are particles and / or dust immediately after use. These can get absorbed inside the tool mechanism and damage the machine.

• Wear hearing protectors when making jobs with a noise level higher than 85 dB.

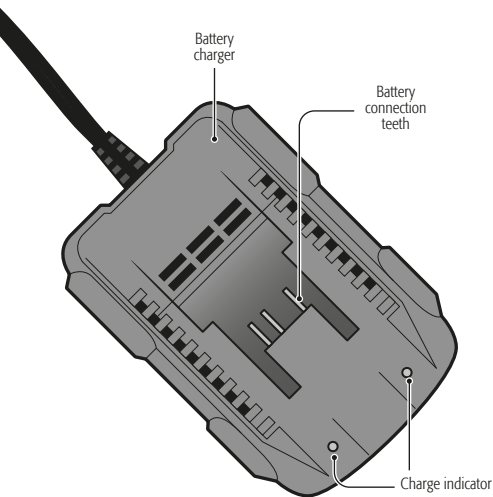
• Wear anti-dust mask and dust extraction equipment if necessary. Remember that working with materials like asbestos, leaded paint, additives, some types of wood, metals or minerals are highly toxic.

• Wear safety eyeglasses.

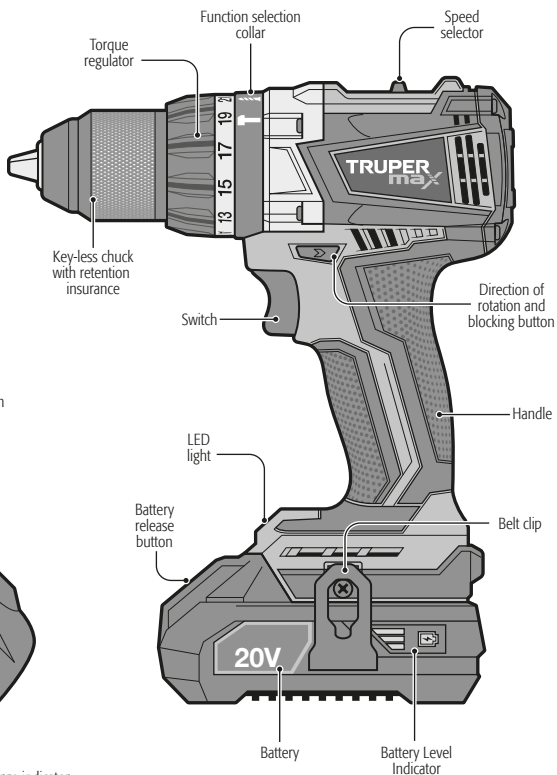


The cordless hammer drill is useful both for drilling holes with impact mode, as well as for screwing and unscrewing

**NOTE** In model MAX-20RS, battery and charger are sold separately.



## Parts



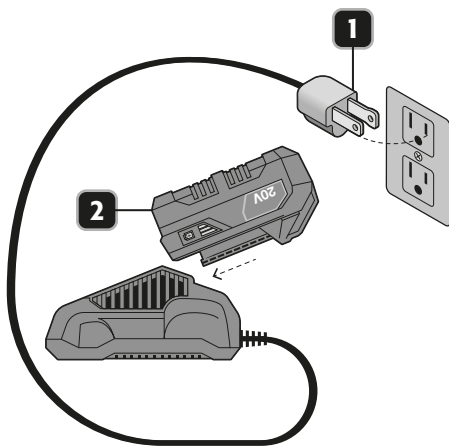
## Preparation

### Loading the battery

1. Plug in the charger in a 127 V~ (The green light of the charging indicator turns on) power outlet.
  2. Insert the battery into the charger sliding it as shown in the figure. The green light will turn off and the red light should come on.
- When the battery is completely charged, the green light will be on and the red light will be off.
  - Disconnect the charger from the power once the charge is completed.

### Battery failures

- If the red light flashes, it is a sign that the battery has a delay caused by the heat; wait until the battery temperature is in the proper range to be able to charge.
- The red light remains on exceeding the recommended charging time or if the red and green light flash alternately it is a sign that the battery is defective; you must replace it or use a **TRUPER** Authorized Service Center.

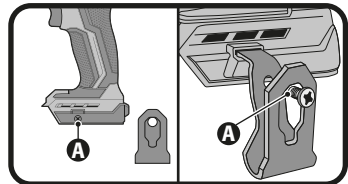


## Important load considerations

- Longer life and better performance can be obtained if the battery unit is charged in room temperature between 5°C and 45°C. Allow a hot battery pack to cool before charging.
- The charger and battery unit may heat up slightly during the charging process. This is normal and does not represent any problem. To make it easier to cool the battery unit after use, avoid placing the charger or battery unit in a warm place, such as a metal shed or trailer without thermal insulation.
- The battery unit should be recharged when it is not able to produce enough power for jobs that were easily performed before. DO NOT CONTINUE to use it under these circumstances. Follow the charging procedure.
- The best storage place is one that is cool and dry, away from direct sunlight and excess heat or cold.
- For optimal results during extended storage times, it is recommended to store the fully charged battery unit in a cool, dry place outside the charger.

## Belt Clip Assembly

- Attach the clip on the tool's accessory-designated side.
- Use the included screw (A) to adjust the clip.
- **NOTE:** If the tool already has the screw in position, just take it out before securing the clip.
- If you choose not to use the belt clip, you can detach it from the tool by loosening the screw that keeps it in position.



## Tool/battery protection system

**CAUTION** • The tool is equipped with a system that automatically stops the tool to prolong both its useful life and that of the batteries, this happens in the following cases:

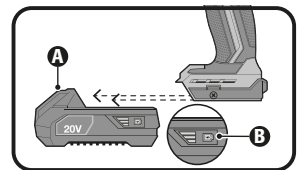
**Overload.** When the tool is forced, the battery consumes abnormally high current levels. Suspend overexertion work and turn the tool back on.

**Overheating.** Let the tool and battery cool before turning it back on.

**Over-discharge.** The battery level is low. In this case, remove the battery from the tool and charge it.

## Batteries

- To install the battery in the tool handle, align the battery unit with the rails on the inside of the tool handle and slide it into the handle until the battery unit is firmly inserted into the tool; check that it does not come off by itself.
- To remove the battery from the tool, press the release button (A) and firmly pull the battery out of the tool handle.
- To make sure the battery is charged, press the indicator button (B). The color of the light indicates the charge level.



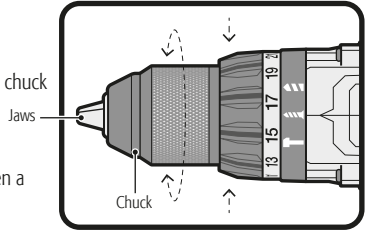
## Remaining battery capacity

Indicator lamp		Green	51% to 100%
		Orange	
		Red	
Illuminated		Orange	26% to 50%
		Red	
OFF		Red	10% to 25%

**NOTE:** Depending on the conditions of use and ambient temperature, the indication may differ slightly from the actual capacity.

## Bits or adaptors assembly

- Place the direction button in the locked position (center).
- Hold the handle firmly with one hand, and with the other hand turn the chuck counterclockwise for the jaws to loosen.
- Insert the bit until it stops or remove it whichever the situation.
- Turn the chuck tip clockwise to fasten the bit.
- The chuck has a lock that activates when turning the chuck. You will listen a click when the bit is set.

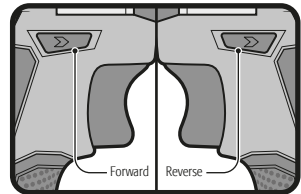


## Direction of rotation

- To bore and screw release the switch and press the direction button on the side where arrows point towards the chuck.
- To reverse the turn, and unscrew press it on the other side.
- The drill switch will get blocked if the button sits in the middle.

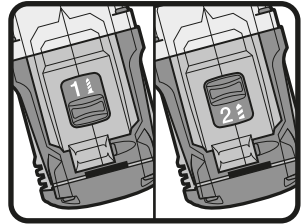
**⚠ CAUTION** • The first time you turn on the drill and after reversing rotation you might hear a click. This is normal and does not represent a problem.

**⚠ CAUTION** • To prevent damaging the tool, never reverse the rotation direction while the drill is running.



## Speed selection

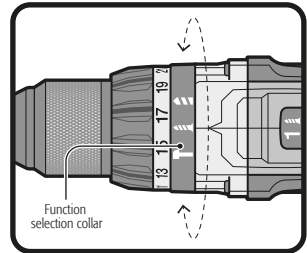
- The two speeds in the drill work in a similar manner to those used in cars.
- Low speed (1) will give a lot of torque (torsion power). Use this speed when starting to drill large orifices, be it wood or metal. This will prevent the bit to get stuck.
- High speed (2) has a reduced torque but lets the drill operate with higher revolutions per minute, that make the tool when in the drill function to bore faster lean metal or wood.



## Change from hammer drill / drill / drivers

- To bore concrete, tiled floor or materials similarly hard, turn the function selection collar into the IMPACT (⚡) position. The bit will strike and rotate at the same time onto the material.
- To bore metal or plastic turn the function selection collar into the DRILL (⚙) position to make the bit rotate against the material.
- For screw / unscrew turn the function selection collar to this position (⚙) so the bit turns over the screw for better control.

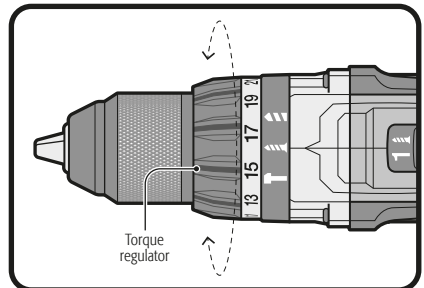
**⚠ WARNING** Do not try to drill metal, wood or plastic with the hammer drill in the IMPACT mode. Otherwise the tool efficiency would diminish and the bit tip will get damaged.



## Torque adjust

- To select the desired torque level to screw drive, turn the torque regulator until it matches the corresponding number with the upper mark:
- From 1 to 4 for small screws,
- From 5 to 9 for screws on soft materials,
- From 10 to 15 for screws on soft and hard material.
- On 16 to 21, for larger screws.

**⚠ CAUTION** • The torque level necessary depends on the type of screw to be used and the material onto which you are working. In if doubt use a lower torque and increase gradually until reaching the right one. An adequate torque prevents damaging the tool.





## Turn On and operation control

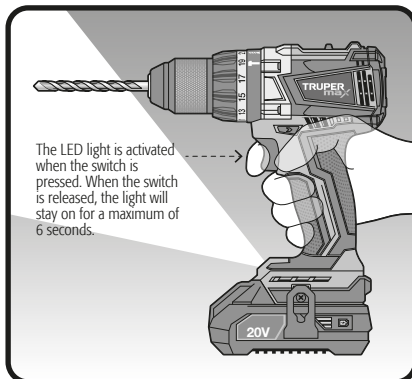
- The switch allows selecting the adequate speed for each job. The more you push the switch the fastest the drill will run.
- The switch is also built with a braking function. When releasing the trigger, the drill will immediately stop and you will be able to use it as a manual screwdriver to give a screw an extra turn.

## Screwing - Unscrewing

- It is recommended to first bore a "pilot orifice"; slightly longer and barely narrower than the measurements of the screw. This orifice will be the entry guide for the screw and will make it easier to tighten. When screwing near the edge of a work piece, a pilot orifice prevents the wood from cracking.
- Use the adequate type of tip for each screw head to prevent the screw from sticking over from the surface.
- If inserting the screw gets difficult, remove and try to bore a slightly longer or wider orifice. However keep in mind there should be enough material to fasten the screw. If you reinitiate the screwing operation in an already-made orifice, start threading it by hand. If still difficult to thread the screw (as with noble woods), try using lubricants like soap. Liquid soap is more useful.
- Always apply enough pressure on the drill to prevent the screw head to slide. It is easy that the screw head gets damaged, making it difficult to completely get inserted or even to remove it.

## Additional recommendations

- Use the adequate speed for each job: do not try to bore at low speeds or to screw at high speeds.
- If the operation overloads the drill, take it out and repeat the operation applying less strength.
- Use low speeds to start bores where there is no support point; on plastic or metal; when screwing, boring ceramic or any other application that requires a high torque. Use high speeds to drill woods and using polishing devices.
- To get a longer drill duty life, use the variable speed control.



## Drilling

- When trying to bore large diameter orifices it is better to start with a narrow bit and then replace it with the required size. This prevents overloading the drill.
- When drilling deep orifices remove the bit a little and regularly while boring to allow the shavings to be correctly expelled from the orifice.

**⚠ CAUTION** • If the bit gets stuck, immediately release the switch to prevent damaging the tool. Try to release the bit reversing the operation direction.

- Keep the drill aligned regarding the orifice. Ideally the bit shall enter the work piece perpendicularly. If the angle is changed while drilling, it could make the bit to break and block the orifice or causing personal injury.

## Problem

## Cause

## Solution

The hammer drill loses efficiency.

- Low battery.

- Charge the battery.

The trigger cannot be pushed.

- The direction rotation button is in the blocking position.

- Move the direction button into the rotate or reverse position.

The trigger can be pushed but the hammer drill stops operations.

- Uncharged battery.
- Regulator is adjusted into an inadequate torque.

- Charge battery.
- Adjust the regulator into a torque that allows the job. Try with the next torque level.

The torque regulator stops operation.

The battery leaks.

- Small leaking can be present in extreme temperatures or after heavy use. This is normal.
- Intense leaking or very evident shows a damaged battery.

- Immediately clean the liquid from skin or clothing using water and soap.
- Replace the battery immediately.

The battery is not charging and the charger light is not on.

- The battery is wrongly fit into the charger.
- The charger is not correctly plugged into the power outlet.

- Insert correctly the battery to the charger.
- Double-check the battery is correctly connected into the power outlet.

The hammer drill gets hot after long periods or work.

- This heating is normal. It absorbs the energy from the motor cogs and the electricity generated during the job.

- Allow the hammer drill to cool off for 5 minutes.

The battery gets hot while operating.

- This heating is normal. The energy absorbed from the battery makes this warning.

- Stop the drill around 5 minutes to allow the battery to cool off.

The battery gets hot while charging.

- This type of warming is normal. Results from the chemical reactions happening.

The charger gets hot while charging.


- This type of warming is normal resulting from tension regulation.

# Maintenance

## Cleaning and care

- Keep the air vents clean and free of obstructing debris to guarantee an adequate motor cooling.
- Regularly inspect all the assembly screws. Double check they are correctly tightened. In the event one screw is loose, tighten immediately.
- Use a clean and soft cloth to clean the tool. Never use alcohol or detergent. Disconnect the tool and remove the battery before cleaning.

## Service

- Servicing the tool shall be carried out only in a  **TRUPER** Authorized Service Center.
- Service and maintenance carried out by non-qualified people may result in dangerous and could cause personal damage. It also makes the Warranty void.

# Environmental protection

Power tools and batteries should not be disposed off together with household trash. Please deliver this tool and the batteries to its adequate recycling in the authorized disposal sites. Verify the nearest recycling center in your community.

In the event of any problem contacting a Truper Authorized Service Center, please see our webpage [www.truper.com](http://www.truper.com) to get an updated list, or call our toll-free numbers **800 690-6990** or **800 018-7873** to get information about the nearest Service Center.

**AGUASCALIENTES** **DE TODO PARA LA CONSTRUCCIÓN**  
GRAL. BARRAGÁN #1201, COL. GREMIAL, C.P. 20050,  
AGUASCALIENTES, AGS. TEL.: 449 994 0537

**BAJA CALIFORNIA** **SUCURSAL TIJUANA**  
AV. LA ENCANTADA, LOTE #5, PARQUE INDUSTRIAL EL  
FLORIDO II, C.P. 22244, TIJUANA, B.C.  
TEL.: 664 969 5100

**BAJA CALIFORNIA SUR** **FIX FERRETERÍAS**  
FELIPE ÁNGELES ESQ. RUIZ CORTÍNEZ S/N, COL. PUEBLO  
NUEVO, C.P. 23670, CD. CONSTITUCIÓN, B.C.S.  
TEL.: 613 152 1115

**CAMPECHE** **TORNILLERÍA Y FERRETERÍA AAA**  
AV. ÁLVARO OBREGÓN #324, COL. ESPERANZA  
C.P. 24080 CAMPECHE, CAMP. TEL.: 981 815 2808

**CHIAPAS** **FIX FERRETERÍAS**  
AV. CENTRAL SUR #27, COL. CENTRO, C.P. 30700,  
TAPACHULA, CHIS. TEL.: 962 118 4083

**CHIHUAHUA** **SUCURSAL CHIHUAHUA**  
AV. SILVESTRE TERRAZAS #128-11, PARQUE INDUSTRIAL  
BAFAR, CARRETERA MÉXICO CUAUHTÉMOC, C.P. 31415,  
CHIHUAHUA, CHIH. TEL.: 614 434 0052

**CIUDAD DE MÉXICO** **FIX FERRETERÍAS**  
EL MONSTRUO DE CORREGIDORA, CORREGIDORA # 35,  
COL. CENTRO, C.P. 06060, CUAUHTÉMOC, CDMX.  
TEL.: 55 5522 5051 / 5522 4861

**COAHUILA** **SUCURSAL TORREÓN**  
CALLE METAL MECÁNICA #280, PARQUE INDUSTRIAL  
ORIENTE, C.P. 27278, TORREÓN, COAH.  
TEL.: 871 209 68 23

**COLIMA** **BOMBAS Y MOTORES BYMTESA DE MANZANILLO**  
BLVD. MIGUEL DE LA MADRID #190, COL. 16 DE  
SEPTIEMBRE, C.P. 28259, MANZANILLO, COL.  
TEL.: 314 332 1986 / 332 8013

**DURANGO** **TORNILLOS ÁGUILA, S.A. DE C.V.**  
MAZURIO #200, COL. LUIS ECHEVERRÍA, DURANGO,  
DGO. TEL.: 618 817 1946 / 618 818 2844

**ESTADO DE MÉXICO** **SUCURSAL CENTRO JILOTEPEC**  
PARQUE INDUSTRIAL # 1, COL. PARQUE INDUSTRIAL  
JILOTEPEC, JILOTEPEC, EDO. DE MÉX. C.P. 54257  
TEL.: 761 782 9101 EXT. 5728 Y 5102

**GUANAJUATO** **ÍA. FERRETERA NUEVO MUNDO S.A. DE C.V.**  
AV. MÉXICO - JAPÓN #225, CD. INDUSTRIAL, C.P. 38010,  
CELAYA, GTO. TEL.: 461 617 7578 / 79 / 80 / 88

**GUERRERO** **CENTRO DE SERVICIO ECLIPSE**  
CALLE PRINCIPAL MZI LT. 1, COL. SANTA FE, C.P. 39010,  
CHILPANCINGO, GRO. TEL.: 747 478 5793

**HIDALGO** **FERREPRECIOS S.A. DE C.V.**  
LIBERTAD ORIENTE #304 LOCAL 30, INTERIOR DE PASAJE  
ROBLED0, COL. CENTRO, C.P. 43600, TULANCINGO,  
HGO. TEL.: 775 753 6615 / 775 753 6616

**JALISCO** **SUCURSAL GUADALAJARA**  
AV. ADOLFO B. HORN # 6800, COL: SANTA CRUZ DEL  
VALLE, C.P.: 45655, TLAJOMULCO DE ZUÑIGA, JAL.  
TEL.: 33 3606 5285 AL 90

**MICHOACÁN** **FIX FERRETERÍAS**  
AV. PASEO DE LA REPÚBLICA #3140-A, COL.  
EX-HACIENDA DE LA HUERTA, C.P. 58050, MORELIA,  
MICH. TEL.: 443 334 6858

**MORELOS** **FIX FERRETERÍAS**  
CAPITÁN ANZURES #95, ESQ. JOSÉ PERDIZ, COL.  
CENTRO, C.P. 62740, CUAUTLA, MOR.  
TEL.: 735 552 8951

**NAVARRIT** **HERRAMIENTAS DE TEPIC**  
MAZATLAN #117, COL. CENTRO, C.P. 63000, TEPIC, NAY.  
TEL.: 311 258 0540

**NUOVO LEÓN** **SUCURSAL MONTERREY**  
CARRETERA LAREDO #500, 1B MONTERREY PARKS,  
COLONIA PUERTA DE ANAHUAC, C.P. 66052, ESCOBEDO,  
NUEVO LEÓN, TEL.: 81 8352 8791 / 81 8352 8790

**OAXACA** **FIX FERRETERÍAS**  
AV. 20 DE NOVIEMBRE #910, COL. CENTRO, C.P. 68500,  
TUXTEPEC, OAX. TEL.: 287 106 3092

**PUEBLA** **SUCURSAL PUEBLA**  
AV. PERIFÉRICO #2-A, SAN LORENZO ALMECATA,  
C.P. 72710, CUAUHTLACINGO, PUE.  
TEL.: 222 282 8282 / 84 / 85 / 86

**QUERÉTARO** **ARU HERRAMIENTAS S.A. DE C.V.**  
AV. PUERTO DE VERACRUZ #110, COL. RANCHO DE  
ENMEDIO, C.P. 76842, SAN JUAN DEL RÍO, QRO.  
TEL.: 427 268 4544

**QUINTANA ROO** **FIX FERRETERÍAS**  
CARRETERA FEDERAL MZ. 46 LT. 3 LOCAL 2, COL. EJIDAL,  
C.P. 77710 PLAYA DEL CARMEN, Q.R.  
TEL.: 984 267 3140

**SAN LUIS POTOSÍ** **FIX FERRETERÍAS**  
AV. UNIVERSIDAD #1850, COL. EL PASEO, C.P. 78320,  
SAN LUIS POTOSÍ, S.L.P. TEL.: 444 822 4341

**SINALOA** **SUCURSAL CULIACÁN**  
AV. JESÚS KUMATE SUR #4301, COL. HACIENDA DE LA  
MORA, C.P. 80143, CULIACÁN, SIN.  
TEL.: 667 173 9159 / 173 8400

**SONORA** **FIX FERRETERÍAS**  
CALLE 5 DE FEBRERO #517, SUR LT. 25 MZ. 10, COL.  
CENTRO, C.P. 85000, CD. OBREGÓN, SON.  
TEL.: 644 413 2592

**TABASCO** **SUCURSAL VILLAHERMOSA**  
CALLE HELIO LOTES 1, 2 Y 3 MZ. #1, COL. INDUSTRIAL,  
2A ETAPA, C.P. 86010, VILLAHERMOSA, TAB.  
TEL.: 993 353 7244

**TAMAULIPAS** **VM ORINGS Y REFACCIONES**  
CALLE ROSITA #527 ENTRE 20 DE NOVIEMBRE Y GRAL.  
RODRÍGUEZ, FRACC. REYNOSA, C.P. 88780, REYNOSA,  
TAMS. TEL.: 899 926 7552

**TLAXCALA** **SERVICIOS Y HERRAMIENTAS INDUSTRIALES**  
PABLO SIDAR #132, COL. BARRIO DE SAN BARTOLOMÉ,  
C.P. 90970, SAN PABLO DEL MONTE, TLAX.  
TEL.: 222 271 7502

**VERACRUZ** **LA CASA DISTRIBUIDORA TRUPER**  
BLVD. PRIMAVERA. ESQ. HORTENSIA S/N, COL.  
PRIMAVERA C.P. 93308, POZA RICA, VER.  
TEL.: 782 823 8100 / 826 8484

**YUCATÁN** **SUCURSAL MÉRIDA**  
CALLE 33 #600 Y 602, LOCALIDAD ITZINCAB Y MULSAY,  
MPIO. UMAN, C.P. 97390, MÉRIDA, YUC.  
TEL.: 999 912 2451

Code	Model	Brand
101405	MAX-20RS	<b>TRUPER</b> max
101453	MAX-20R	

Warranty. Duration: 5 year. Coverage: parts, components and workmanship against manufacturing or operating defects, except if used under conditions other than normal; when it was not operated in accordance with the instructive; was altered or repaired by personnel not authorized by TRUPER®. To make the warranty valid, only present the product in the establishment where you bought it or in Corregidora 35, Centro, Cuauhtémoc, CDMX, 06060, where you can also purchase parts, components, consumables and accessories. The costs of transportation of the product that derive from its fulfillment of its service network are included. TRUPER will not require any proof of purchase to make the warranty effective. Phone number 800-018-7873. Made in China. Imported by TRUPER, S.A. de C.V. Parque Industrial 1, Parque Industrial Jilotepec, Jilotepec, Edo. de Méx. C.P. 54257, Phone number 761 782 9100.

Stamp of the business. Delivery date:





Sello del establecimiento comercial. Fecha de entrega:

Garantía. Duración: 5 años. Cobertura: piezas, componentes y mano de obra contra defectos de fabricación o funcionamiento, excepto si se usó en condiciones distintas a las normales, cuando no fue operado conforme a las instrucciones; fue alterado o reparado por personal no autorizado por TRUPER®. Para hacer efectiva la garantía únicamente presente el producto en el establecimiento donde lo compró o en Corregidora 35, Centro, Cuauhtémoc, CDMX, 06060, donde también podrá adquirir partes, componentes, consumibles y accesorios. Incluye los gastos de transportación del producto que deriven de su cumplimiento de su red de servicio. TRUPER no solicitará ningún tipo de comprobante de pago para hacer efectiva la garantía. Tel: 800-018-7873. Made in/Hecho en China. Importador TRUPER, S.A. de C.V. Parque Industrial 1, Parque Industrial Jilotepec, Jilotepec, Edo. de Méx. C.P. 54257, Tel. 761 782 9100.



MAX-20RS  
MAX-20R

101405  
101453

Marca

Modelo

Código

Póliza de Garantía



En caso de tener algún problema para contactar un Centro de Servicio Autorizado Truper® consulte nuestra página [www.truper.com](http://www.truper.com) donde obtendrá un listado actualizado, o llame al: 800 690-6990 ó 800 018-7873 donde le informarán cuál es el Centro de Servicio más cercano.

- AGUASCALIENTES**  
**DE TODO PARA LA CONSTRUCCIÓN**  
 GRAL. BARRAGÁN #1201, COL. CREMALLA, C.P. 200350, AGUASCALIENTES, AGS. TEL.: 449 994 994 0557
- BAJA CALIFORNIA**  
**SUCURSAL TIJUANA**  
 AV. LA ENCANTADA, LOTE #5, PARQUE INDUSTRIAL EL FLORIDO II, C.P. 22244, TIJUANA, B.C.  
 TEL.: 664 969 5100
- BAJA CALIFORNIA SUR**  
**FIX FERRERÍAS**  
 FIEPE ANGELES ESQ. RUIZ CORTINEZ S/N, COL. PUEBLO NUEVO, C.P. 23670, CD. CONSTITUCIÓN, B.C.S.  
 TEL.: 613 132 1115
- CAMPECHE**  
**TORNILLERÍA Y FERRERÍA AAA**  
 AV. ALVARO CAMPESCHE #324, COL. ESPERANZA C.P. 24080 CAMPESCHE, CAMP TEL.: 981 815 2808
- CHIAPAS**  
**FIX FERRERÍAS**  
 AV. CENTRAL SUR #27, COL. CENTRO, C.P. 30700, TAPACHULA, CHIS. TEL.: 962 118 4083
- CHIHUAHUA**  
**SUCURSAL CHIHUAHUA**  
 AV. SILVESTRE TERREZA2A #128-11, PARQUE INDUSTRIAL CHIHUAHUA CHIH. TEL. 614 434 0052
- Ciudad de México**  
**FIX FERRERÍAS**  
 EL MONSTRINO DE CORREGIDORA, CORREGIDORA # 35, COL. CENTRO, C.P. 06060, CUAUHTÉMOC, CDMX.  
 TEL.: 555 522 5051 / 5522 4861
- COAHUILA**  
**SUCURSAL TORREÓN**  
 CALLE METAL MECÁNICA #280, PARQUE INDUSTRIAL ORIENTE, C.P. 27278, TORREÓN, COAH.  
 TEL.: 871 209 68 25
- COLIMA**  
**BOMBAS Y MOTORES BMTESA DE MANZANILLO**  
 BLVD. MIGUEL DE LA MADRID #190, COL. 16 DE SEPTIEMBRE, C.P. 28239, MANZANILLO, COL.  
 TEL.: 314 532 1968 / 532 8015
- DURANGO**  
**TORNILLAS ACILIA, S.A. DE C.V.**  
 MAZURIO #200, COL. LUIS ECHEVERRÍA, DURANGO, DGO. TEL.: 618 817 1946 / 618 818 2844
- ESTADO DE MÉXICO**  
**SUCURSAL CENTRO JILOTEPEC**  
 PARQUE INDUSTRIAL # 1, COL. PARQUE INDUSTRIAL JILOTEPEC, JILOTEPEC, EDO. DE MÉX. C.P. 54257  
 TEL.: 761 782 9101 EXT. 5228 Y 5102
- GUANAJUATO**  
**CLA FERRERÍA NUEVO MUNDO S.A. DE C.V.**  
 AV. MÉXICO - JAPON #255, CD. INDUSTRIAL, C.P. 38010, CELAYA, GTO. TEL.: 461 617 7578 / 79 / 80 / 88
- GUERRERO**  
**CENTRO DE SERVICIO ECLIPSE**  
 CALLE PRINCIPAL M21 LT. 1, COL. SANTA FE, C.P. 390101, CHILPANCIÑO, GRO. TEL.: 747 478 5793
- HIDALGO**  
**FERRERECIOS S.A. DE C.V.**  
 LIBERTAD ORIENTE #504 LOCAL 30, INTERIOR DE PASAJE ROBLEDO, COL. CENTRO, C.P. 43600, TULANCINGO, HGO. TEL.: 775 755 6615 / 775 755 6616
- JALISCO**  
**SUCURSAL B. HORN # 6800**  
 AV. ADOLFO B. HORN # 6800, COL. SANTA CRUZ DEL VALLE, C.P. 46565, TLIJOMULCO DE ZUNIGA, JAL.  
 TEL.: 33 3606 5285 AL 90
- MICH.**  
**FIX FERRERÍAS**  
 AV. PASEO DE LA HUERTA #510-A, COL. EXHIBICIÓN DE LA HUERTA, C.P. 58050, MORELIA, MICH. TEL.: 443 334 6858
- MORELOS**  
**FIX FERRERÍAS**  
 CAPITÁN ANZURES #95, ESQ. JOSÉ PEREZIZ, COL. CENTRO, C.P. 62740, CUAUTLA, MOR.  
 TEL.: 755 552 8931
- NAVARRA**  
**HERRAMIENTAS DE TEPIC**  
 MAZATLÁN #117, COL. CENTRO, C.P. 63000, TEPIC, NAV.  
 TEL.: 311 258 0540
- NUevo LEÓN**  
**SUCURSAL MONTERREY**  
 COLONIA PUERTA DE ANÁHUAC #500, 18 MONTERREY PARKS, COAHUILA PUERTA DE ANÁHUAC, C.P. 66052, ESCOBEDO, NUEVO LEÓN, TEL.: 81 8352 8791 / 81 8352 8790
- OAXACA**  
**FIX FERRERÍAS**  
 AV. 20 DE NOVIEMBRE #910, COL. CENTRO, C.P. 68300, TUXTEPEC, OAX. TEL.: 287 106 3092
- PUEBLA**  
**SUCURSAL PUEBLA**  
 AV. PÉREZUELO #2-A, SAN LORENZO ALMECATA, C.P. 22710, CUAUHTÉMOC, PUE.  
 TEL.: 222 282 8282 / 84 / 85 / 86
- QUÉRETARO**  
**ARU HERRAMIENTAS S.A. DE C.V.**  
 AV. PUERTO DE VERACRUZ #110, COL. RANCHO DE ENMEDIO, C.P. 76842, SAN JUAN DEL RÍO, QRO.  
 TEL.: 427 268 4544
- QUINTANA ROO**  
**FIX FERRERÍAS**  
 CARRETERA FEDERAL MZ. 46 IT 3 LOCAL 2, COL. EIDAD, C.P. 77710 PLAMA DEL CARMEN, Q.R.  
 TEL.: 984 267 3140
- SAN LUIS POTOSÍ**  
**FIX FERRERÍAS**  
 SAN LUIS POTOSÍ, S.L.P. TEL.: 444 822 4341, AV. UNIVERSIDAD #1850, COL. EL PASEO, C.P. 78520, MORÁ, C.P. 80143, CUIACÁN, SIN.
- SINALOA**  
**SUCURSAL CUIACÁN**  
 AV. ESUS KIMAT SUR #4301, COL. HACIENDA DE LA MORA, C.P. 80143, CUIACÁN, SIN.  
 TEL.: 667 175 9139 / 173 8400
- SONORA**  
**FIX FERRERÍAS**  
 CALLE DE FEBRERO #517, SUR IT 25 MZ. 10, COL. CENTRO, C.P. 85000, CD. OBRERÓN, SON.  
 TEL.: 644 413 2592
- TABASCO**  
**SUCURSAL VILAHERMOSA**  
 CALLE HEUO LOTES 1 Y 3 MZ. #1, COL. INDUSTRIAL, 2A TAPA, C.P. 86010, VILAHERMOSA, TAB.  
 TEL.: 993 555 7244
- TAMPAULUPAS**  
**VM OBRIGAS Y REFACCIONES**  
 CALLE ROSITA #2527 ENTRE 20 DE NOVIEMBRE Y GRAL. RODRÍGUEZ, FRACC. RENOVSA, C.P. 88780, RENOVSA, TAMS. TEL.: 899 926 7552
- TLAXCALA**  
**SERVICIOS Y HERRAMIENTAS INDUSTRIALES**  
 PABLO SIDAR #152, COL. BARRIO DE SAN BARTOLOMÉ, C.P. 90970, SAN PABLO DEL MONTE, TLAX.  
 TEL.: 222 271 7502
- VERACRUZ**  
**LA CASA DISTRIBUIDORA TRUPER**  
 BLVD. PRIMAVERA, ESQ. HORTENSIA S/N, COL. PIMAVERA, C.P. 93508, POZA VERE, VER.  
 TEL.: 782 825 8100 / 826 8484
- YUCATÁN**  
**SUCURSAL MÉRIDA**  
 CALLE 33 #600 Y 602, LOCALIDAD ITZINCAB Y MULSAY, MPIO. UJMÁN, C.P. 97390, MÉRIDA, YUC.  
 TEL.: 999 919 212 4511



Los aparatos eléctricos y las baterías no deben desecharse junto con los desperdicios domésticos. Por favor, entregue este aparato, así como sus baterías con los contactos aislados con tela adhesiva a un centro de reciclaje. Verifique la ubicación del centro más cercano a su comunidad.

# Solución de problemas

## Problema

## Causa

## Solución

El taladro pierde eficacia.

• Batería baja.

• Cargue la batería.

El gatillo no se puede apretar.

• El botón de dirección de giro se encuentra en la posición de bloqueo.

• Mueva el botón de dirección de giro a la posición de giro o reversa.

El gatillo puede apretarse pero el broquero no gira.

• Batería descargada.

• Cargue la batería.

El regulador de torque impide la operación.

• El regulador está ajustado en un torque inadecuado.

• Ajuste el regulador a un torque que permita el trabajo. Pruebe con el siguiente nivel de torque.

La batería gotea.

• Goteo diminuto podría presentarse en temperaturas extremas o después de un uso pesado, esto es normal.

• El goteo intenso o muy evidente es debido a una batería dañada.

• Limpie de inmediato con agua y jabón el líquido de la piel o ropa.

• Reemplace la batería de inmediato.

La batería no se carga y la luz indicadora de nivel de carga no se enciende.

• Conexión del cargador mal instalada en la batería.

• Inserte correctamente la conexión del cargador a la batería.

El taladro se calienta después de periodos de trabajo prolongados.

• Este calentamiento es normal, ya que absorbe la energía que los engranes del motor y la electricidad generan durante el trabajo.

• Permita que el taladro se enfríe por espacio de 5 minutos.

La batería se calienta durante la operación.

• Este calentamiento es normal, la energía que se extrae de la batería mientras el taladro está en marcha hace que ésta se caliente.

• Detenga el taladro por espacio de 5 minutos para que la batería se enfríe.

La batería se calienta durante la carga.

• Este calentamiento es normal, resultado de las reacciones químicas que suceden dentro de la batería mientras se carga.

El cargador se calienta durante la carga.

• Este calentamiento es normal, resultado de la regulación de tensión.

## Limpieza y cuidados

- Mantenga las ventillas limpias y libres de obstrucciones para garantizar un enfriamiento adecuado del motor.
- Inspeccione regularmente todos los tornillos de montaje y asegúrese de que estén apretados correctamente. En caso de que alguno de los tornillos esté suelto, apriételo inmediatamente.
- Use un paño limpio y suave para limpiar la herramienta. Nunca use alcohol o detergente. Desconecte la herramienta y renueva la batería antes de limpiarla.

## Servicio

## Mantenimiento

El servicio de las herramientas debe ser realizado únicamente en un Centro de Servicio Autorizado TRUPER. El servicio y mantenimiento realizado por personas no calificadas puede resultar peligroso y llegar a ocasionar daños personales además de invalidar la garantía del producto.

## Protección ambiental

## Puesta en marcha

### Encendido y control de operación

- El interruptor le permite seleccionar la velocidad adecuada para cada tarea. Mientras más apriete el interruptor, más rápido operará el taladro.
- El inalámbrico está equipado con una función de freno. Una vez que usted suelte el interruptor, el inalámbrico se detendrá de inmediato, y podrá utilizarlo como destornillador manual para dar una vuelta extra al tornillo.

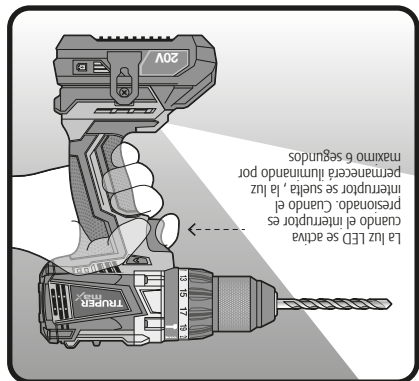
### Atornillar - desatornillar

- Se recomienda que primero se perfora un "orificio piloto", ligeramente más largo y apenas más angosto de lo que mide el tornillo a insertar. El orificio piloto actuará como guía para la entrada del tornillo, al tiempo que facilitará apretarlo. Cuando un tornillo es colocado cerca del borde de una pieza, un orificio piloto también ayudará a prevenir que la madera se parta.
- Use el tipo de punta adecuado para cada cabeza de tornillo, para evitar que el tornillo sobresalga de la superficie.
- Si se dificultar la inserción de un tornillo, remuévalo e intente perforar un orificio ligeramente más largo o ancho. Sin embargo, recuerde que debe haber suficiente material atornillado en un orificio ya hecho, empuje enroscañdo a mano. Si aún así fuera difícil de enrosacar (como sería el caso con maderas muy duras), intente usar un lubricante como jabón; el jabón líquido tiende a ser el más útil.
- Siempre aplique suficiente presión sobre el taladro para que la cabeza se barra. Es fácil que la cabeza del tornillo se dañe, lo que dificultará insertarlo por completo o incluso removerlo.

### Recomendaciones adicionales

- Use la velocidad adecuada a cada tarea: no trate de perforar a velocidades bajas ni de atornillar a altas velocidades.
- Si la operación sobrecarga el taladro, extráigalo y repita la operación aplicando menos fuerza.
- Use bajas velocidades para iniciar perforaciones donde no hay punto de apoyo, sobre plástico o metal, al atornillar, al perforar cerámica o cualquier aplicación que requiera de torque elevado. Utilice altas velocidades para taladrar madera y al usar artículos para pulir.
- Para obtener el máximo de vida de su taladro, use el control de velocidad variable.

### Taladrar



La luz LED se activa cuando el interruptor es presionado. Cuando el interruptor se suelta, la luz permanecerá iluminada por máximo 6 segundos.

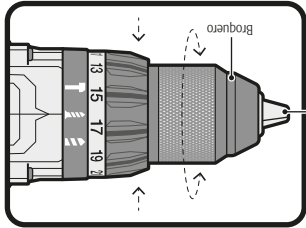
- Cuando trate de perforar orificios de diámetros grandes, siempre es mejor iniciarlos con una broca delgada y después cambiarla por una del tamaño requerido. Esto previene la sobrecarga del taladro.
- Al taladrar orificios profundos retire la broca sólo un poco y con regularidad mientras perfora, para que la viruta pueda ser expulsada adecuadamente del orificio.
- Si la broca se atasca, suelte el interruptor inmediatamente para prevenir daños permanentes en la herramienta. Intente desatascar la broca invirtiendo el sentido de operación.
- Mantenga el taladro alineado con respecto al orificio. Idealmente, la broca deberá entrar siempre perpendicularmente en la pieza de trabajo. Si el ángulo es cambiado durante el proceso de perforado, esto podrá hacer que la broca se rompa, bloqueeando el orificio o incluso causando lesiones personales.

### ⚠ ATENCIÓN



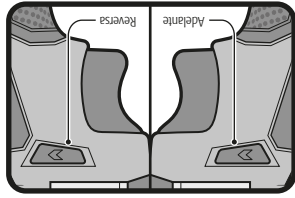
## Instalación de brocas o adaptadores

- Coloque el botón de dirección en la posición de bloqueo (al centro).
- Sujete el mango firmemente con una mano y con la otra, gire el broquero en sentido contrario a las manecillas del reloj, para que las mordazas aflojen.
- Inserte la broca hasta el tope o retírela según sea el caso.
- Gire el broquero en sentido de las manecillas del reloj para asegurar la broca.
- El broquero cuenta con un seguro de retención que se activa al seguir girando el broquero, una vez que la broca se encuentre asegurada; distinguirá cuando se escuche un CLIK.



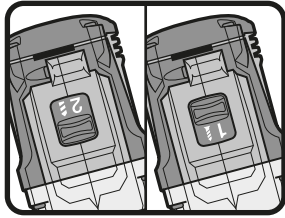
## Dirección de rotación

- Para perforar y atornillar, suelte el interruptor y presione el botón de dirección de giro del lado en donde las flechas apuntan hacia el broquero.
- Para invertir el sentido y desatornillar, presione el lado contrario.
- ATENCIÓN** La primera vez que encienda el taladro después de invertir la rotación, puede escucharse un clic. Esto es normal y no representa ningún problema.
- Nunca invierta la dirección de la rotación mientras el taladro se encuentre en funcionamiento, para no dañar la herramienta.



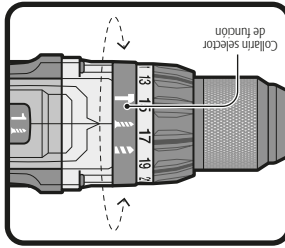
## Selección de velocidad

- Las dos velocidades con que cuenta el rotomartillo funcionan de manera similar a las que se usa en los autos.
- La velocidad baja (1) le dará mucho torque (poder de torsión). Use esta velocidad cuando empiece a taladrar orificios grandes, ya sea en metal o concreto.
- Esto evitará que la broca se atasque.
- La velocidad alta (2) tiene un torque reducido pero permite que el rotomartillo opere a mayores revoluciones por minuto, lo que hará que el rotomartillo, en su función de taladro, perforo más rápido la madera o metal delgado.



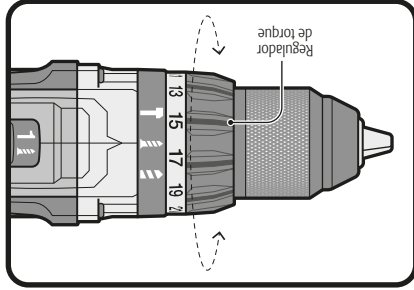
## Cambio de rotomartillo / taladro / destornillador

- Para perforar hormigón, piedra baldosa o materiales de dureza similar, gire el collarín selector de función a la posición de IMPACTO (➡). La broca dará impacto sobre el material, girando al mismo tiempo. Utilice brocas de carburo de tungsteno.
- Para perforar metal, madera o plástico, gire el collarín selector de función a la posición de TALADRO (↔), para que la broca gire sobre el material.
- Para atornillar / desatornillar gire el collarín selector de función a la posición de (◀) para que la punta gire sobre el tornillo y tenga mayor control.
- ADVERTENCIA** No intente perforar metal, madera o plástico con el rotomartillo en el modo de IMPACTO. De lo contrario reducirá la eficiencia de la herramienta, y dañará la punta de la broca.



## Ajuste de torque

- Para seleccionar el nivel de torque deseado gire el regulador de torque hasta hacer coincidir el número correspondiente con la marca superior.
- de 1 a 4 para tornillos pequeños,
- de 5 a 9 para tornillos en material suave,
- de 10 a 15 para tornillos en material suave y duro
- de 16 a 21 para tornillos más grandes.
- ATENCIÓN** El nivel de torque necesario depende del tipo de tornillo a usar y del material sobre el cual se trabaja. Si tiene duda use un menor torque e incrementelo gradualmente hasta lograr el adecuado. Un torque adecuado evita daños a la herramienta.



## Consideraciones importantes sobre la carga

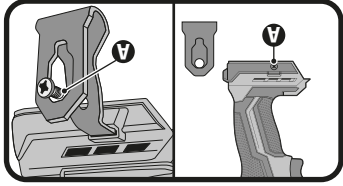
- Se puede obtener una mayor duración y un mejor rendimiento si la unidad de batería se carga a una temperatura ambiente entre 5 °C y 45 °C. Deje que un cartucho de batería caliente se enfríe antes de cargarlo.
- Puede que el cargador y la unidad de batería se calienten ligeramente durante el proceso de carga. Esto es normal y no representa ningún problema. Para facilitar el enfriamiento de la unidad de batería después del uso, evite colocar el cargador o la unidad de batería en un lugar cálido, como un cobertizo metálico o un remolque sin aislamiento térmico.
- La unidad de batería debería ser recargada cuando no sea capaz de producir suficiente potencia para trabajos que eran fácilmente realizados antes. NO CONTINUE usándola bajo estas circunstancias. Siga el procedimiento de carga.
- El mejor lugar de almacenamiento es uno que sea fresco y seco, lejos de la luz solar directa y del exceso de calor o frío.
- Para resultados óptimos durante tiempos prolongados de almacenamiento, se recomienda almacenar la unidad de batería completamente cargada en un lugar fresco y seco fuera del cargador.

## Ensamble de clip para cinturón

- Coloque el clip en el lado de la herramienta destinado para este accesorio.
- Ajuste el clip usando el tornillo (A) provisto.

**NOTA:** En caso de que el tornillo venga colocado en la herramienta, solo retirelo antes de colocar el clip.

• Si no desea ocupar el clip para cinturón, puede quitarlo de la herramienta retirando el tornillo que lo sostiene.

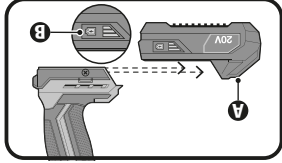


## Sistema de protección herramienta / batería

- **¡ATENCIÓN!** La herramienta está equipada con un sistema que detiene automáticamente la herramienta para prolongar tanto su vida útil como la de las baterías, esto sucede en los siguientes casos:
  - **Sobrecarga.** Cuando se fuerza la herramienta la batería consume niveles de corriente anormalmente altos. Suspendeda el trabajo de sobreesfuerzo y evienda de nuevo la herramienta.
  - **Sobrecalentamiento.** Deje que la herramienta y la batería se enfríen antes de volver a encenderla.
- **Sobredescarga.** El nivel de la batería no es suficiente. En este caso, retire la batería de la herramienta y cargue la batería.

## Baterías

- Para instalar la batería en el mango de la herramienta, alinee la unidad de batería con los rieles en el interior del mango de la herramienta y deslicela en el mango hasta que la unidad de batería quede firmemente insertada en la herramienta.
- Verifique que esta no se saiga sola.
- Para retirar la batería de la herramienta, presione el botón de liberación (A) y tire firmemente de la batería para sacarla del mango de la herramienta.
- Para asegurarse de que la batería esté cargada presione el botón indicador (B). El color de la luz indica el nivel de carga.



## Capacidad restante de la batería

Luces indicadoras	ROJO	ROJO	ROJO
Iluminado	[Barra roja]	[Barra amarilla]	[Barra verde]
Apagado	[Barra blanca]	[Barra blanca]	[Barra blanca]

51% a 100%  
26% a 50%  
10% a 25%

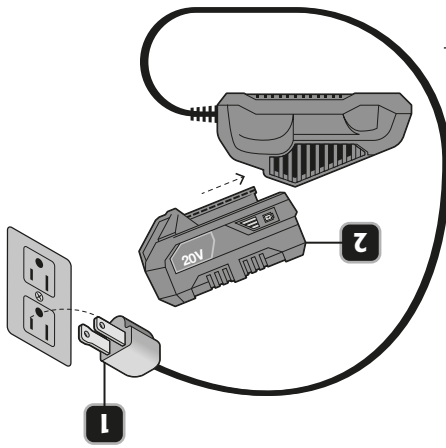
**NOTA:** Según las condiciones de uso y la temperatura ambiente, la indicación puede diferir ligeramente de la capacidad real.

reemplazarla o recurrir a un Centro de Servicio Autorizado **TRUPER**.  
 alternativamente es señal que la batería está defectuosa; debe  
 recomendado de carga o si la luz roja y verde parpadea  
 • La luz roja permanece encendida superando el tiempo  
 batería se encuentre en el rango adecuado para poder cargarla.  
 retraso por calentamiento; espere a que la temperatura de la  
 • Si la luz roja parpadea, es señal de que la batería tiene un  
 carga.

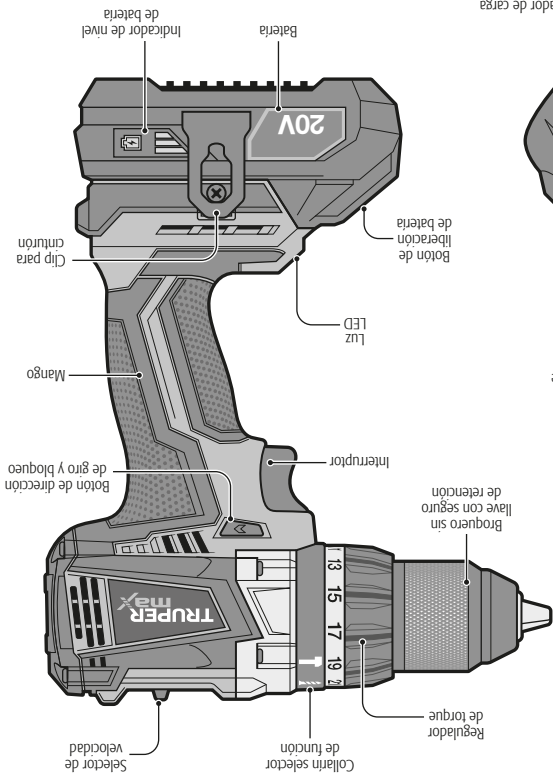
**Fallas de la batería**

- 1. Conecte la clavija del cargador en un tomacorriente de 127 V ~ (La luz verde del indicador de carga se encenderá).
- 2. Inserte la batería en el cargador deslízandola como se muestra en la imagen. La luz verde se apagará y la luz roja deberá encenderse, indicando que la carga se ha iniciado.
- Cuando la batería se encuentre completamente cargada, la luz verde se encenderá y la roja se apagará.
- Desconecte el cargador de la corriente una vez concluida la carga.

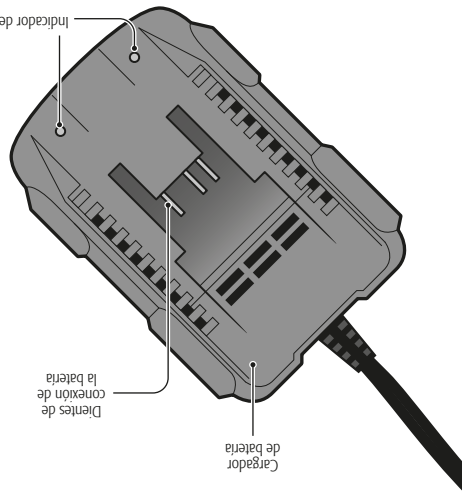
**Carga de la batería**



**Preparación**



**Partes**



El rotamartillo inámblico es útil tanto para perforar orificios con modalidad de impacto, así como para atornillar y desatornillar.  
**NOTA** En el modelo MAX-20RS la batería y el cargador se venden por separado.





- Utilice gafas de seguridad.
- o minerales es altamente tóxico.
- pinturas con plomo, aditivos, algunos tipos de madera, metales es necesario. Recuerde que trabajar materiales como asbesto.
- Utilice mascarilla anti polvo y un equipo extractor de polvo si servicios que haga ruidos superiores a 85 db
- Utilice protectores auriculares, cuando eglecure dentro del mecanismo de la herramienta y así dañarla.
- Evite colocar la herramienta en un sitio con partículas y/o polvo inmediatamente después de haber sido usada, eses puede ser absorbidas as hay agua dentro por completo.
- Antes de soltar la herramienta, asegúrese de que todas las partes móviles entran con agua o aceite.

**ATENCIÓN** • No toque la broca ni las perforaciones inmediatamente después de latrdr. Espere a que se enfríen para manipularlas. No intente cuerpo de la herramienta.

- No toque la broca ni las perforaciones inmediatamente después de latrdr. Espere a que se enfríen para manipularlas. No intente cuerpo de la herramienta.
- Este atiendo y preparado para relajar la fuerza en cuanto la broca atrevesa el material. Los movimientos repetitivos pueden romper la broca o dañar el andos o seis minutos por hora a 90°
- Evite atiendo y preparado para relajar la fuerza en cuanto la broca atrevesa el material. Los movimientos repetitivos pueden romper la broca o dañar el andos o seis minutos por hora a 90°

**ADVERTENCIA** • La fuerza reactiva es mayor, lo que puede provocar una pérdida de la herramienta durante el uso.

- La herramienta disminuya al igual que que su vida útil.
- De lo contrario la broca se dañar y la eficiencia de la perforación.
- No ejerza demasiada presión a herramienta con tal de acelerar la
- Evite atiendo y preparado para relajar la fuerza en cuanto la broca atrevesa el material. Los movimientos repetitivos pueden romper la broca o dañar el andos o seis minutos por hora a 90°

**ATENCIÓN** • Si la broca se atasca en la pieza de trabajo, pague la herramienta de control puede causar lesiones personales.

- No someta la herramienta a esfuerzos excesivos.
- Utilice las manijas auxiliares, si se proporcionan con la herramienta. La pérdida de control puede causar lesiones personales.
- Utilice las manijas auxiliares, si se proporcionan con la herramienta. La pérdida de control puede causar lesiones personales.

**Mientras opera la herramienta**

- Sostenga la herramienta por las superficies asistadas diseñadas para este propósito, sobre todo al realizar trabajos en los que la broca pueda hacer contacto con cables o conductores.
- Evite atiendo y preparado para relajar la fuerza en cuanto la broca atrevesa el material. Los movimientos repetitivos pueden romper la broca o dañar el andos o seis minutos por hora a 90°

**ATENCIÓN** • Apague y desconecte la herramienta antes de invertir el sentido del giro del broquero, así como de instalar o reemplazar una broca.

- Apague y desconecte la herramienta antes de invertir el sentido del giro del broquero, así como de instalar o reemplazar una broca.
- Apague y desconecte la herramienta antes de invertir el sentido del giro del broquero, así como de instalar o reemplazar una broca.

**PELIGRO** • Asegúrese que el interruptor esté apagado (posición OFF) antes de insertar la batería, de lo contrario ésta comenzará a funcionar inmediatamente, pudiendo provocar lesiones graves.

- Asegúrese que el interruptor esté apagado (posición OFF) antes de insertar la batería, de lo contrario ésta comenzará a funcionar inmediatamente, pudiendo provocar lesiones graves.
- Asegúrese que el interruptor esté apagado (posición OFF) antes de insertar la batería, de lo contrario ésta comenzará a funcionar inmediatamente, pudiendo provocar lesiones graves.

**PELIGRO** • Antes de perforar en una pared, suelo o techo, asegúrese de que no haya objetos empotrados, tales como cables o conductores eléctricos o tuberías.

- Antes de perforar en una pared, suelo o techo, asegúrese de que no haya objetos empotrados, tales como cables o conductores eléctricos o tuberías.
- Antes de perforar en una pared, suelo o techo, asegúrese de que no haya objetos empotrados, tales como cables o conductores eléctricos o tuberías.

**PELIGRO** • Asegúrese que el interruptor esté apagado (posición OFF) antes de insertar la batería, de lo contrario ésta comenzará a funcionar inmediatamente, pudiendo provocar lesiones graves.

- Asegúrese que el interruptor esté apagado (posición OFF) antes de insertar la batería, de lo contrario ésta comenzará a funcionar inmediatamente, pudiendo provocar lesiones graves.
- Asegúrese que el interruptor esté apagado (posición OFF) antes de insertar la batería, de lo contrario ésta comenzará a funcionar inmediatamente, pudiendo provocar lesiones graves.

**PELIGRO** • Asegúrese que el interruptor esté apagado (posición OFF) antes de insertar la batería, de lo contrario ésta comenzará a funcionar inmediatamente, pudiendo provocar lesiones graves.

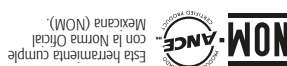
- Asegúrese que el interruptor esté apagado (posición OFF) antes de insertar la batería, de lo contrario ésta comenzará a funcionar inmediatamente, pudiendo provocar lesiones graves.
- Asegúrese que el interruptor esté apagado (posición OFF) antes de insertar la batería, de lo contrario ésta comenzará a funcionar inmediatamente, pudiendo provocar lesiones graves.

**PELIGRO** • Asegúrese que el interruptor esté apagado (posición OFF) antes de insertar la batería, de lo contrario ésta comenzará a funcionar inmediatamente, pudiendo provocar lesiones graves.

- Asegúrese que el interruptor esté apagado (posición OFF) antes de insertar la batería, de lo contrario ésta comenzará a funcionar inmediatamente, pudiendo provocar lesiones graves.
- Asegúrese que el interruptor esté apagado (posición OFF) antes de insertar la batería, de lo contrario ésta comenzará a funcionar inmediatamente, pudiendo provocar lesiones graves.

**PELIGRO** • Asegúrese que el interruptor esté apagado (posición OFF) antes de insertar la batería, de lo contrario ésta comenzará a funcionar inmediatamente, pudiendo provocar lesiones graves.

- Asegúrese que el interruptor esté apagado (posición OFF) antes de insertar la batería, de lo contrario ésta comenzará a funcionar inmediatamente, pudiendo provocar lesiones graves.
- Asegúrese que el interruptor esté apagado (posición OFF) antes de insertar la batería, de lo contrario ésta comenzará a funcionar inmediatamente, pudiendo provocar lesiones graves.



**Servicio**  
Repare la herramienta en un Centro de Servicio Autorizado TRUPER usando sólo piezas de repuesto idénticas.  
Para mantener la seguridad de la herramienta.

El líquido derramado puede causar irritación o quemaduras.  
agüa. Si hay contacto con los ojos, busque ayuda médica.  
evite el contacto. Si hay contacto accidental, lave la zona con agua.  
En condiciones severas, puede derramarse líquido de la batería;

- No intente utilizar brocas que excedan la capacidad del broquero.
- Para media usa brocas ordinarias para trabajos de madera. En cualquier caso, perforar orificios de 6.5 mm o menos, use brocas para trabajo en metal.
- Para media usa brocas ordinarias para trabajos de madera. En cualquier caso, perforar orificios de 6.5 mm o menos, use brocas para trabajo en metal.
- Para media usa brocas ordinarias para trabajos de madera. En cualquier caso, perforar orificios de 6.5 mm o menos, use brocas para trabajo en metal.

**Elja la broca apropiada**

- Elja la broca apropiada para el material a trabajar, esto reduce el riesgo de lesiones graves y agilita el trabajo.
- Elja la broca apropiada para el material a trabajar, esto reduce el riesgo de lesiones graves y agilita el trabajo.
- Elja la broca apropiada para el material a trabajar, esto reduce el riesgo de lesiones graves y agilita el trabajo.

**ATENCIÓN** • Elja la broca apropiada para el material a trabajar, esto reduce el riesgo de lesiones graves y agilita el trabajo.

- Elja la broca apropiada para el material a trabajar, esto reduce el riesgo de lesiones graves y agilita el trabajo.
- Elja la broca apropiada para el material a trabajar, esto reduce el riesgo de lesiones graves y agilita el trabajo.

**ATENCIÓN** • Elja la broca apropiada para el material a trabajar, esto reduce el riesgo de lesiones graves y agilita el trabajo.

- Elja la broca apropiada para el material a trabajar, esto reduce el riesgo de lesiones graves y agilita el trabajo.
- Elja la broca apropiada para el material a trabajar, esto reduce el riesgo de lesiones graves y agilita el trabajo.

**ATENCIÓN** • Elja la broca apropiada para el material a trabajar, esto reduce el riesgo de lesiones graves y agilita el trabajo.

- Elja la broca apropiada para el material a trabajar, esto reduce el riesgo de lesiones graves y agilita el trabajo.
- Elja la broca apropiada para el material a trabajar, esto reduce el riesgo de lesiones graves y agilita el trabajo.

**ATENCIÓN** • Elja la broca apropiada para el material a trabajar, esto reduce el riesgo de lesiones graves y agilita el trabajo.

- Elja la broca apropiada para el material a trabajar, esto reduce el riesgo de lesiones graves y agilita el trabajo.
- Elja la broca apropiada para el material a trabajar, esto reduce el riesgo de lesiones graves y agilita el trabajo.

**PELIGRO** • No use el cargador a la intemperie.

- No use el cargador a la intemperie.
- No use el cargador a la intemperie.

**PELIGRO** • No use el cargador a la intemperie.

- No use el cargador a la intemperie.
- No use el cargador a la intemperie.

**PELIGRO** • No use el cargador a la intemperie.

- No use el cargador a la intemperie.
- No use el cargador a la intemperie.

**PELIGRO** • No use el cargador a la intemperie.

- No use el cargador a la intemperie.
- No use el cargador a la intemperie.

**PELIGRO** • No use el cargador a la intemperie.

- No use el cargador a la intemperie.
- No use el cargador a la intemperie.

**PELIGRO** • No use el cargador a la intemperie.

- No use el cargador a la intemperie.
- No use el cargador a la intemperie.

**PELIGRO** • No use el cargador a la intemperie.

- No use el cargador a la intemperie.
- No use el cargador a la intemperie.

**PELIGRO** • No use el cargador a la intemperie.

**Advertencias de seguridad para uso de tornavitallos-taladros-destornilladores**

**PELIGRO** • Utilice únicamente cargadores Truper Max para cargar la batería de la herramienta.

- Utilice únicamente cargadores Truper Max para cargar la batería de la herramienta.
- Utilice únicamente cargadores Truper Max para cargar la batería de la herramienta.

**PELIGRO** • Utilice únicamente cargadores Truper Max para cargar la batería de la herramienta.

- Utilice únicamente cargadores Truper Max para cargar la batería de la herramienta.
- Utilice únicamente cargadores Truper Max para cargar la batería de la herramienta.

**PELIGRO** • Utilice únicamente cargadores Truper Max para cargar la batería de la herramienta.

- Utilice únicamente cargadores Truper Max para cargar la batería de la herramienta.
- Utilice únicamente cargadores Truper Max para cargar la batería de la herramienta.

**PELIGRO** • Utilice únicamente cargadores Truper Max para cargar la batería de la herramienta.

- Utilice únicamente cargadores Truper Max para cargar la batería de la herramienta.
- Utilice únicamente cargadores Truper Max para cargar la batería de la herramienta.

**PELIGRO** • Utilice únicamente cargadores Truper Max para cargar la batería de la herramienta.

- Utilice únicamente cargadores Truper Max para cargar la batería de la herramienta.
- Utilice únicamente cargadores Truper Max para cargar la batería de la herramienta.

Un cortocircuito entre las terminales puede ocasionar quemaduras o incendio.

- Un cortocircuito entre las terminales puede ocasionar quemaduras o incendio.
- Un cortocircuito entre las terminales puede ocasionar quemaduras o incendio.

Cuando la batería no esté en uso, manténgala alejada de cualquier objeto metálico como clips, monedas, llaves, clavos, tornillos o cualquier objeto metálico que pueda hacer conexión entre las terminales.

- Cuando la batería no esté en uso, manténgala alejada de cualquier objeto metálico como clips, monedas, llaves, clavos, tornillos o cualquier objeto metálico que pueda hacer conexión entre las terminales.
- Cuando la batería no esté en uso, manténgala alejada de cualquier objeto metálico como clips, monedas, llaves, clavos, tornillos o cualquier objeto metálico que pueda hacer conexión entre las terminales.

El uso de cualquier otra batería puede ocasionar peligro de daños e incendio.

- El uso de cualquier otra batería puede ocasionar peligro de daños e incendio.
- El uso de cualquier otra batería puede ocasionar peligro de daños e incendio.

Use la batería con ota batería.

- Use la batería con ota batería.
- Use la batería con ota batería.

Recargue sólo con el cargador especificado por TRUPER.



# Advertencias genéricas de seguridad para herramientas eléctricas



**¡ADVERTENCIA! Lea detenidamente todas las advertencias de seguridad y todas las instrucciones que se enlistan a continuación.** La omisión de alguna de ellas puede dar como resultado un choque eléctrico, incendio y/o daño serio. **Conserve las advertencias y las instrucciones para futuras referencias.**

Retire cualquier llave o herramienta de ajuste antes de arrancar la herramienta eléctrica. Las llaves o herramientas que quedan en las partes rotativas de la herramienta pueden causar un daño personal.

No sobrepase su campo de acción. Mantenga ambos pies bien asentados sobre el suelo y conserve el equilibrio en todo momento. Esto permite un mejor control de la herramienta en situaciones inesperadas.

Vista adecuadamente. No vista ropa suelta o joyas. Mantenga su pelo, su ropa y guantes alejados de las piezas en movimiento.

La ropa suelta, joyas o cabelllo largo pueden quedar atrapados en las piezas en movimiento.

En caso de contar con dispositivos de extracción y recolección de polvo conectados a la herramienta, verifique sus conexiones y úselos correctamente.

El uso de estos dispositivos reduce los riesgos relacionados con el polvo.

Use y cuidados de la herramienta

No fuerce la herramienta. Use la herramienta adecuada para el trabajo a realizar.

La herramienta adecuada hace un trabajo mejor y más seguro cuando se usa al ritmo para el que fue diseñada.

No use la herramienta si el interruptor no funciona. Cualquier herramienta eléctrica que no pueda encenderse o apagarse es peligrosa y debe repararse antes de ser operada.

Desconecte la herramienta de la fuente de alimentación y/o de la batería antes de efectuar cualquier ajuste, cambiar accesorios o almacenarla.

Estas medidas reducen el riesgo de arrancar la herramienta accidentalmente.

Almacene las herramientas fuera del alcance de los niños y no permita su manejo por personas no familiarizadas con las herramientas o con las instrucciones.

Las herramientas eléctricas son peligrosas en manos no entrenadas. Déle mantenimiento a la herramienta. Compruebe que las partes móviles no estén desalineadas o trabadas, que no haya piezas rotas u otras condiciones que puedan afectar su operación. Repare cualquier daño antes de usar la herramienta.

Muchos accidentes son causados por el escaso mantenimiento de las herramientas.

Mantenga los accesorios de corte afilados y limpios. Trabáse y más fáciles de controlar. Los accesorios de corte en buenas condiciones son menos probables de trabarse y más fáciles de controlar.

Use la herramienta, sus componentes y accesorios de acuerdo con estas instrucciones y de la manera prevista para el tipo de herramienta, en condiciones de trabajo adecuadas. El uso de la herramienta para aplicaciones diferentes para las que está diseñada podría causar una situación de peligro.

**Área de trabajo**  
Mantenga el área de trabajo limpia y bien iluminada. Las áreas desordenadas y oscuras son propensas a accidentes.

No maneje la herramienta en ambientes explosivos, como en presencia de líquido, gas o polvo inflamables. Las herramientas eléctricas producen chispas que pueden encender material inflamable.

Mantenga alejados a los niños y curiosos cuando opere la herramienta. Las distracciones pueden hacer que pierda el control.

**Seguridad eléctrica**  
La clavija de la herramienta debe coincidir con el tomacorriente. Nunca modifique una clavija. No use ningún tipo de adaptador para clavijas de herramientas puestas a tierra. Clavijas modificadas y enchufes diferentes aumentan el riesgo de choque eléctrico.

Evite el contacto del cuerpo con superficies puestas a tierra como tuberías, radiadores, cocinas eléctricas y refrigeradores. Hay un mayor riesgo de choque eléctrico si el cuerpo está puesto a tierra.

No exponga la herramienta a lluvia o condiciones de humedad. El agua que ingresa en la herramienta aumenta el riesgo de choque eléctrico.

No fuerce el cable. Nunca use el cable para transportar, levantar o desconectar la herramienta. Mantenga el cable lejos del calor, aceite, orillas afiladas o piezas en movimiento. Los cables dañados o entredados aumentan el riesgo de choque eléctrico.

Cuando maneje una herramienta en exteriores, use una extensión especial para uso en exteriores.

El uso de una extensión adecuada para exteriores reduce el riesgo de choque eléctrico.

Si el uso de la herramienta en un lugar húmedo es inevitable, use una alimentación protegida por un interruptor de circuito de falla a tierra (GFCI).

El uso de un GFCI reduce el riesgo de choque eléctrico.

**Seguridad personal**  
Esté alerta, vigile lo que está haciendo y use el sentido común cuando maneje una herramienta. No la use si está cansado o bajo la influencia de drogas, alcohol o medicamentos.

Un momento de distracción mientras maneja la herramienta puede causar un daño personal.

Use equipo de seguridad. Use siempre protección para los ojos. El uso de equipo de seguridad como lentes de seguridad, mascarilla antipolvo, zapatos antiestaticos, casco y protección para los oídos en condiciones apropiadas, reduce de manera significativa los daños personales.

Evite arranques accidentales. Asegúrese de que el interruptor esté en posición "apagado" antes de conectar a la fuente de alimentación y/o a la batería o transportar la herramienta. Transportar herramientas eléctricas con el dedo sobre el interruptor o conectar herramientas eléctricas que tienen el interruptor en posición de "encendido" puede causar accidentes.



# Especificaciones técnicas

**MAX-20RS**

**MAX-20R**

•	Código	101453
•	Rotomartillo / taladro / destornillador inalámbrico	1/2" (13 mm) sin llave
•	Tensión	20 V==
•	Funciones	Rotomartillo, taladro y atornillador con 21 niveles de torque
•	Velocidad	Taladro: (0 - 500) r/min (RPM) y (0 - 1 800) r/min (RPM)
•	Golpes por minuto	Rotomartillo: (0 - 7 500) golpes/min (BPM) y (0 - 27 000) golpes/min (BPM)
•	Rotación	adelante - reversa
•	Torque	Fuerte: 39 Nm / Suave: 8 Nm
•	Capacidad de perforación	concreto: 13 mm   madera: 32 mm   metal: 13 mm
•	Grado IP	IP20
•	Batería	16Ah-litio 20 V== 2 Ah   Tiempo de carga: 60 min aproximadamente
•	Cargador	Entrada: Tensión: 127 V~ Frecuencia: 60 Hz Corriente: 1,1 A Salida: 21,5 V== 3,5 A

El cable de alimentación del cargador tiene sujeta-cables tipo: Y la clase de construcción de la herramienta es: Clase III. La clase de construcción del cargador es: Aislamiento reforzado

# Requerimientos eléctricos

### ADVERTENCIA

Antes de obtener acceso a las terminales, todos los circuitos de alimentación deben ser desconectados.



### ADVERTENCIA

Si el cable de alimentación se daña, éste debe ser reemplazado por el fabricante o Centro de Servicio Autorizado **TRUPER**, con el fin de evitar algún riesgo de descarga o accidente considerable.

### ADVERTENCIA

Las herramientas de doble aislamiento y aislamiento reforzado están equipadas con una clavija polarizada (una pata es más ancha que la otra). Esta clavija cabe en cualquier enchufe polarizado y sólo puede conectarse de una forma. Si la clavija no cabe en el enchufe, voltéelo. Si aún así no cabe, póngase en contacto con un electricista calificado o instale un enchufe polarizado. No altere la clavija en forma alguna.

Ambos tipos de aislamiento eliminan la necesidad de un cable de corriente de tres partes con conexión a tierra o de un sistema de corriente eléctrica con conexión a tierra.

### ADVERTENCIA

Al usar un cable de extensión, asegúrese de usar el calibre suficiente para transportar la corriente que consumirá su herramienta. Un cable de un calibre inferior ocasionará caídas de tensión en la línea, teniéndose como resultado pérdida de potencia y sobrecalentamiento del motor. La siguiente tabla muestra el tamaño correcto que debe usarse dependiendo de la longitud del cable y de la capacidad de amperes indicada en la placa de datos de la herramienta. Si tiene dudas use el siguiente calibre más alto.

Al operar herramientas eléctricas en exteriores, utilice una extensión aterrizada marcada como "Uso exterior" marca **VOLTECK**. Estas extensiones son especiales para el uso en exteriores y reducen el riesgo de una descarga eléctrica.

### ADVERTENCIA

Se permite utilizar siempre y cuando las extensiones mismas cuenten con un artefacto de protección contra sobrecorriente.

AWG = Calibre de alambre estadounidense (American Wire Gauge). Referencia: NMX-F-195-ANCF

### ADVERTENCIA

Al operar herramientas eléctricas en exteriores, utilice una extensión aterrizada marcada como "Uso exterior" marca **VOLTECK**. Estas extensiones son especiales para el uso en exteriores y reducen el riesgo de una descarga eléctrica.

de 0 A hasta 10 A	de 10 A hasta 13 A	de 13 A hasta 15 A	de 15 A hasta 20 A
18 AWG(*)	16 AWG	14 AWG	12 AWG
16 AWG	14 AWG	12 AWG	10 AWG

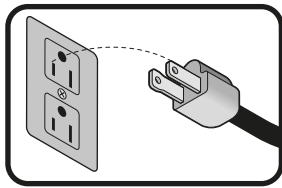
3 (uno a tierra)

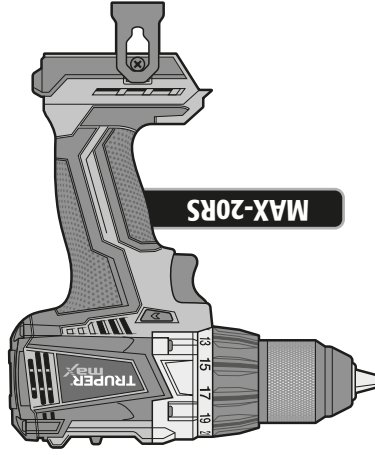
Capacidad en Amperes

Número de conductores

Calibre de extensión

de 1,8 m a 15 m | mayor de 15 m





- 3 Especificaciones técnicas
- 3 Requerimientos eléctricos
- 4 Advertencias generales de seguridad para herramientas eléctricas
- 5 Advertencias de seguridad para uso de rotamantillos-taladros-destornilladores
- 6 Partes
- 6 Preparación
- 9 Puesta en marcha
- 10 Solución de problemas
- 10 Mantenimiento
- 10 Protección ambiental
- 11 Centros de servicio autorizados
- 12 Póliza de garantía

**ATENCIÓN**

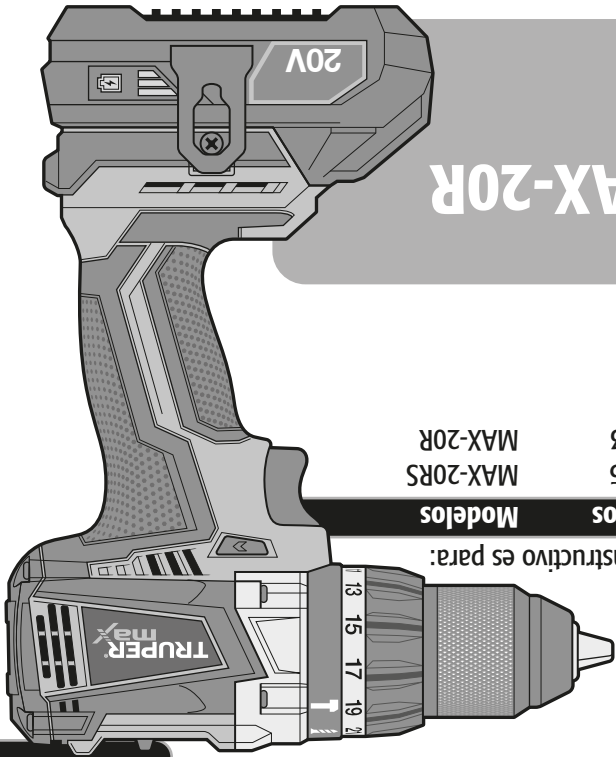
Para poder sacar el máximo provecho de la herramienta, alargarse su vida útil, hacer válida la garantía en caso de ser necesario y evitar riesgos o lesiones graves, es fundamental leer este instructivo por completo antes de usar la herramienta.

Guarde este instructivo para futuras referencias. Los gráficos de este instructivo son para referencia, pueden variar del aspecto real de la herramienta.

Instructivo de

# Rotomartillo / taladro / destornillador inalámbrico

**20 V = 1/2"**  
13 mm  
Broquero



**MAX-20R**

**Códigos** 101405  
101453  
**Modelos** MAX-20RS  
MAX-20R

Este instructivo es para:

Lea este instructivo por completo  
antes de usar la herramienta.



**ATENCIÓN**

