

ENGLISH  
ESPAÑOL

# TRUPER®

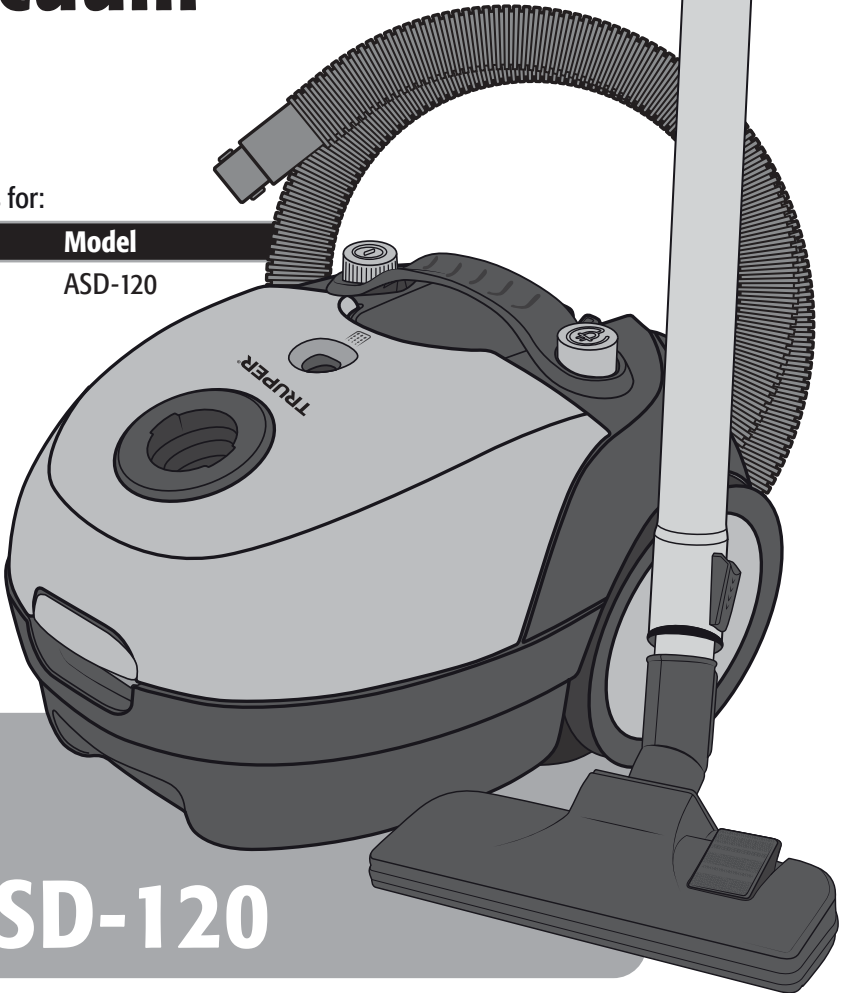
Manual

# Canister vacuum

Applies for:

Code	Model
103159	ASD-120

1 L  
**0.2 Gal**  
Capacity





## ASD-120

 **CAUTION**



Read this manual thoroughly  
before using the tool.



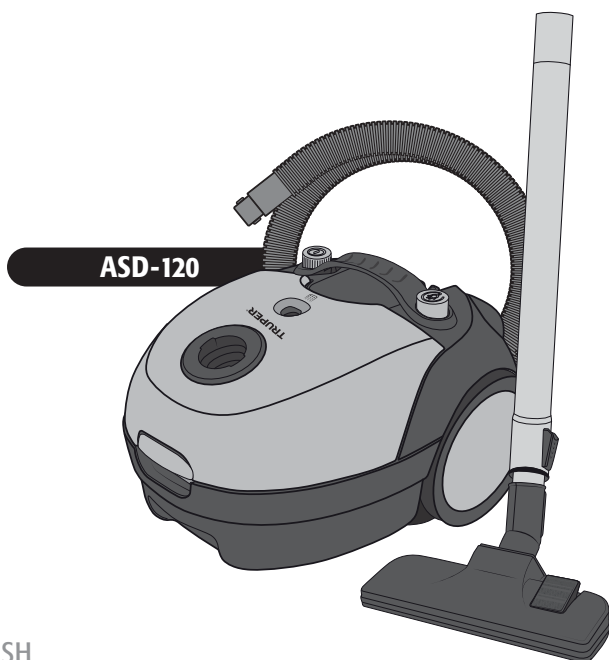
Technical data.....	<b>3</b>
Power requirements.....	<b>3</b>
 General safety warnings for electric tools.....	<b>4</b>
 Safety warnings for the use of vacuum cleaners.....	<b>5</b>
Parts.....	<b>6</b>
Assembly.....	<b>6</b>
Start Up.....	<b>7</b>
Maintenance.....	<b>8</b>
Troubleshooting.....	<b>10</b>
Authorized service centers.....	<b>11</b>
Warranty policy.....	<b>12</b>

## **CAUTION**

To get the most out of the tool, extend its lifespan, claim the warranty if necessary, and avoid serious risks or injuries, please read this manual thoroughly before using the tool.

Please keep this manual for future references.

The illustrations in this manual are for reference only and may differ from the real appearance of the tool.



## ASD-120

Code	•	103159
Description	•	Canister vacuum
Voltage	•	127 V~
Frequency	•	60 Hz
Current	•	10 A
Rated power	•	1200 W (1.6 Hp)
Capacity	•	0.2 gal (1 L)
Vacuum pressure	•	16 kPa (2.3 PSI)
Conductors	•	18 AWG x 2C
Insulation	•	Class II
		IP grade
		• IPX0

The power cable has cable ties type: Y  
 The construction class of the tool is: Double insulation  
 The thermal insulation class of the motor windings: Class B

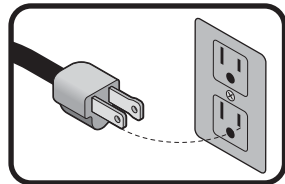
**⚠ WARNING** If the power cable is damaged, it must be replaced by the manufacturer or an Authorized TRUPER Service Center to prevent any risk of electric shock or significant accidents. The electrical insulation of this tool is altered by splashes or spillage of liquids during its operation. Do not expose it to rain, liquids, and/or moisture.



**⚠ WARNING** Before accessing the terminals, all power circuits must be disconnected.

## Power requirements

**⚠ WARNING** Tools with double insulation are equipped with a polarized plug (one prong is wider than the other). This plug fits into any polarized outlet and can only be connected in one way. If the plug does not fit into the outlet, turn it over. If it still does not fit, contact a qualified electrician or install a polarized outlet. Do not alter the plug in any way. Double-insulation tools eliminate the need for a 3-wire grounded power cord or a grounded electrical system.



**⚠ WARNING** When using an extension cord, ensure to use a gauge to carry the current that the tool will consume. A lower gauge cord will cause voltage drops in the line, resulting in power loss and motor overheating. The following table shows the correct size to be used depending on the cable length and the amperage capacity indicated on the tool's data plate. If in doubt, use the next higher gauge.

Capacity in amperes	Number of conductors	Extension gauge	
		From 5.9 ft to 49 ft	Greater than 49 ft
From 0 A to 10 A	3 (one to ground)	18 AWG(*)	16 AWG
From 10 A to 13 A		16 AWG	14 AWG
From 13 A to 15 A		14 AWG	12 AWG
From 15 A to 20 A		8 AWG	6 AWG

\* It is allowed to use it if the extensions themselves have an overcurrent protection device.

AWG = American Wire Gauge. Reference: NMX-J-195-ANCE.

**⚠ WARNING** When operating electric tools outdoors, use a **VOLTECK** grounded extension cord marked as 'Outdoor Use'. These extensions are specially designed for outdoor use and reduce the risk of electric shock.





**⚠ WARNING! Read all safety warnings and all instructions listed below carefully.** Failure to follow any of them may result in electric shock, fire, and/or serious injury. **Keep the warnings and instructions for future reference.**

### Work area

Keep your work area clean and well-lit.



Cluttered and dim areas can lead to accidents.

Do not operate the tool in explosive atmospheres, such as in the presence of flammable liquids, gas, or dust.



The electric tools produce sparks that can ignite flammable material.

Keep children and other individuals at a safe distance while using the equipment.



Distractions can cause loss of control and lead to accidents.

### Electrical safety

Electrical tool plugs must match the outlet. Never modify the plug in any way. Do not use adapters with grounded electrical tools.



Unmodified electrical tools and matching plugs will reduce the risk of electric shock.

Avoid bodily contact with grounded surfaces, such as pipes, radiators, stoves, and refrigerators.

There is an increased risk of electric shock if your body is grounded.

Do not expose the tool to rain or humid conditions.

Water entering the tool increases the risk of electric shock.

Do not force the cable. Never use the cable for carrying, lifting, or disconnecting the tool. Keep the cable away from heat, oil, sharp edges, or moving parts.

Damaged or tangled cables increase the risk of electric shock.

When operating an electrical tool outdoors, use an extension cord suitable for outdoor use.

The use of a suitable outdoor-rated cable reduces the risk of electric shock.

If it is unavoidable to operate an electrical tool in a damp location, use a power source protected by a Ground Fault Circuit Interrupter (GFCI).

The use of a Ground Fault Circuit Interrupter (GFCI) reduces the risk of electric shock.

### Personal safety

Be alert, watch what you are doing, and use common sense when handling a tool. Do not use it if you are tired or under the influence of drugs, alcohol, or medication.

A moment of distraction while using the tool can cause personal injury.

Use safety equipment. Always wear eye protection.

The use of safety equipment such as safety glasses, dust mask, slip-resistant shoes, helmet, and ear protection in appropriate conditions significantly reduces the risk of personal injury.



Avoid accidental starts. Ensure the switch is in the "off" position before connecting to the power source and/or the battery or transporting the tool.

Carrying power tools with your finger on the switch or connecting power tools with the switch in the "on" position can cause accidents.

Remove any wrenches or adjusting tools before starting the power tool.

Wrenches or tools left on the rotating parts of the tool can cause personal injury.

Do not exceed your range of motion. Keep both feet firmly planted on the ground and always maintain balance.

This allows better control of the tool in unexpected situations.

Dress appropriately. Do not wear loose clothing or jewelry. Keep your hair, clothing, and gloves away from moving parts.



Loose clothes, jewelry, or long hair can get caught in moving parts.

If dust extraction and collection devices are available for the tool, check their connections and use them correctly.

The use of these devices reduces risks associated with dust.

### Tool use and care

Do not force the tool. Use the appropriate tool for the task at hand.



The right tool performs better and is safer when used at the intended pace.

Do not use the tool if the switch is not functioning.

Any power tool that cannot be turned on or off is dangerous and must be repaired before operation.

Disconnect the tool from the power source and/or battery before making any adjustments, changing accessories, or storing it.

These measures reduce the risk of accidentally starting the tool.

Store the tools out of the reach of children and do not allow them to be handled by individuals unfamiliar with the tools or their instructions.



Power tools are dangerous in untrained hands.

Maintain the tool. Ensure that the moving parts are not misaligned or jammed, and that there are no broken parts or other conditions that may affect its operation. Repair any damage before using the tool.



Many accidents are caused by inadequate tool maintenance.

Use the tool, its components, and accessories in accordance with these instructions and as intended for the type of tool, in appropriate working conditions.

Using the tool for applications other than those for which it is designed could cause a hazardous situation.

### Service

Repair the tool at an Authorized TRUPER Service Center using only identical replacement parts.

To maintain the safety of the tool.



This appliance is not intended for use by persons (including children) with reduced physical, sensory, or mental capabilities, or lack of experience and knowledge, unless they have been given supervision or instruction concerning the use of the appliance by a person responsible for their safety.

Children should be supervised to ensure that they do not play with the appliance. Strict supervision should be applied with children or disabled individuals to prevent them from using or being near any household tool.



This tool is in compliance with the Official Mexican Standard (NOM - Norma Oficial Mexicana).

# Safety warnings

 for the use of vacuum cleaners 

**TRUPER®**

## Hazardous materials

**⚠ WARNING** • Do not vacuum or use the vacuum cleaner near flammable liquids, gases, or explosive vapors such as gasoline or other fuels, lighter fluid, hot liquids, cleaners, oil-based paints, natural gas, hydrogen, or explosive powders such as coal dust, magnesium dust, grain dust, or gunpowder. Sparks inside the motor can ignite flammable vapors or powders.

**⚠ WARNING** • Do not vacuum anything that is burning or producing smoke, such as cigarettes, matches or hot ashes.

**⚠ CAUTION** • Do not vacuum masonry dust or chimney soot, as it is very fine dust and will not be trapped by the filter causing damage to the motor. When vacuuming fine dust, use a special dust filter (sold separately).

**⚠ CAUTION** • To reduce the risk of health damage, do not vacuum toxic materials

## While operating the vacuum cleaner

**⚠ WARNING** • Do not vacuum liquids.

**⚠ CAUTION** • Keep hair, loose clothing, fingers, and any other body parts away from openings and moving parts.

- Do not use or store near hazardous materials.
- Do not leave the vacuum cleaner unattended when operating.
- Do not leave the vacuum cleaner unattended when plugged in.
- Do not place any object on the ventilation openings.
- Do not operate the vacuum cleaner with blocked ventilation openings; keep them free of dust, lint, hair or anything else that may restrict airflow.
- Do not use the vacuum cleaner with a broken or missing filter.
- To reduce the risk of falls, use extreme caution when cleaning stairs.
- If the vacuum cleaner is not working properly, is missing parts, has been dropped or damaged, has been left outdoors or dropped into water, take it to an Authorized TRUPER Service Center.
- Turn off the vacuum cleaner before unplugging it.
- Unplug it from the power outlet when not in use or before servicing.
- Do not allow it to be used as a toy. Particular attention should be paid when children use it or are nearby.
- Do not expose the vacuum cleaner to rain. Store indoors.
- Use ear protection when performing services with noise levels exceeding 85 dB.

## Cable

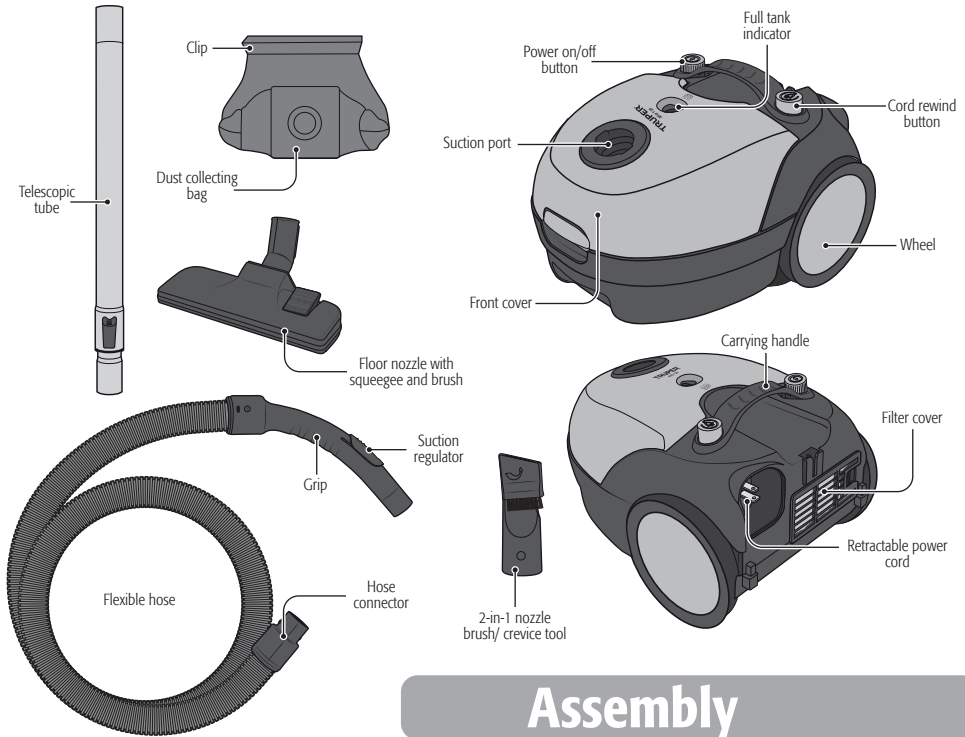


- Do not pull the vacuum cleaner or move it with the cord, do not use the cord as a handle, do not close doors on the cord, do not pass the cord over sharp edges or corners.
- Keep the cord away from hot surfaces.
- Do not unplug the vacuum cleaner by pulling the cord. To unplug, grasp the plug, not the cord.
- Do not use the vacuum cleaner with a damaged cord or plug.
- Do not vacuum over the cord.
- Do not handle the plug or vacuum cleaner with wet hands.
- To reduce the risk of injury from accidental starts, disconnect the power cord before changing or cleaning the filter.

**⚠ WARNING** This appliance is not intended for use by persons (including children) with reduced physical, sensory, or mental capabilities, or lack of experience and knowledge, unless they have been given supervision or instruction concerning the use of the appliance by a person responsible for their safety.

**⚠ CAUTION** Children should be supervised to ensure that they do not play with the appliance. Strict supervision should be applied with children or disabled individuals to prevent them from using or being near any household tool.





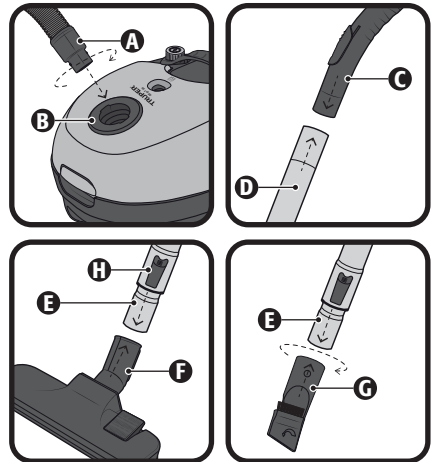
## Assembly

- Insert the hose connector (A) into the suction port. Ensure proper alignment of the notches. Rotate the hose clockwise to secure it to the machine.
- Insert the handle (C) into the wider end of the telescopic tube (D).
- Select the accessory according to the type of vacuuming you wish to perform and insert it into the free end of the telescopic tube.

**CAUTION** Press the latch (H) and pull the telescopic tube to extend it.

**NOTE** The 2-in-1 nozzle brush/crevice tool (G) has a dual function:

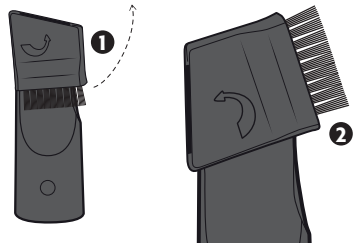
1. Crevice tool.
  2. Brush for sofas, bookshelves, curtains, and furniture.
- Use this accessory to reach hard-to-access corners.



**Crevice tool use:**

**Brush use:**

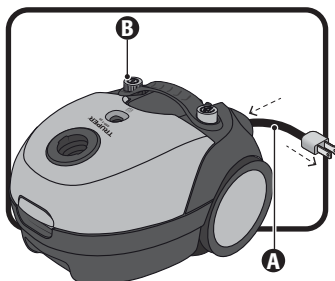
2-in-1 nozzle  
brush/crevice tool



## On and Off

- To pull out the cable, pull it to the desired length (A).
- Press the power on/off button (B).
- When cleaning is done, disconnect the plug from the power outlet and lightly press the power cord rewind button (C).

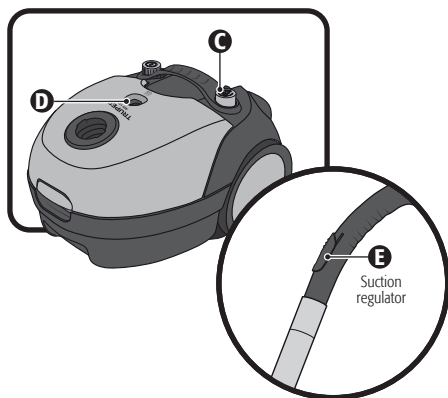
**⚠ CAUTION** • Always ensure that the switch is in the OFF position before plugging the cable into the power outlet.



## Use of the vacuum cleaner

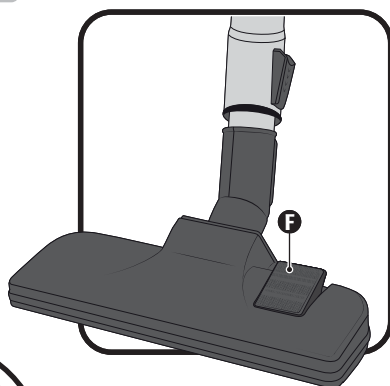
- Ensure that the dust collecting bag and the motor filter are correctly placed.
- You can adjust the airflow with the suction regulator located on the handle (E); slide it up or down.
- If the red float of the full tank indicator (D) moves to the center of the little window, check if the dust collecting bag is full or if there is any obstruction. If the bag is full, replace or clean the dust container (page 8).

**⚠ CAUTION** • Cleaning or changing the dust collecting bag will maintain motor power and extend the lifespan of the vacuum cleaner. It is recommended to change the bag approximately every 6 months.

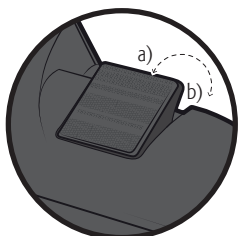


## Accessories

- To achieve greater cleaning efficiency, always keep the accessories clean.
- Before using the floor nozzle with squeegee and brush, ensure that the button position (F) matches the type of surface to be cleaned.
  - a) Lower the brush to vacuum floors.
  - b) Use it without the brush to vacuum carpets.
- Use the suction regulator (E) to quickly reduce suction power; this is recommended when vacuuming delicate surfaces and objects.



Floor nozzle with squeegee and brush



## Dust collecting bag replacement

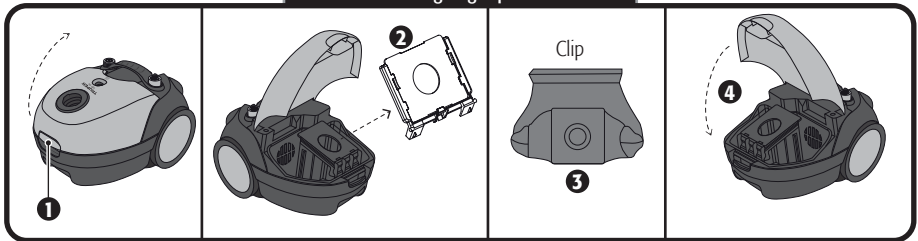
- This vacuum cleaner comes with a washable dust collecting bag that should be emptied and/or washed when full.
  - Check the full tank indicator (page 7).
  - If you notice a decrease in suction power, you should also check the bag.
1. Press the lock button and lift the front cover.
  2. Remove the dust collecting bag and clip to empty the contents, shake it if necessary. Wash the bag by hand with cold water and let it dry for 24 hours. Ensure the bag is completely dry before placing it back into the vacuum cleaner.
  3. Make sure that the opening of the dust collection bag is fully closed with the clip. Place the clip back onto the bag before placing it back into the vacuum cleaner. Ensure that the clip completely seals the bag opening.
  4. Press the lock to open the front cover and place the bag in the corresponding position. Close the front cover properly.

**NOTE** Refer to the images below.

## Transportation and storage

- To transport the vacuum cleaner, you can lift it with the handle. The vacuum cleaner has accessory storage.
- For storage, place the combined floors/carpet accessory in the rear or bottom slot of the vacuum cleaner.
- For vertical storage, place the fixing support in the hole of the body.
- The vacuum cleaner should be stored in enclosed areas.

### Dust collecting bag replacement



Lock button

Dust collecting bag

# Maintenance

This vacuum cleaner is intended for household use only and not for commercial purposes. The manufacturer does not assume responsibility for any damage that may occur due to improper use or handling.

## Cleaning

- Remove the hose after each use.
- Always keep the ventilation openings free and clean. Blow regularly with compressed air or clean with a brush.
- To maintain the appearance of the vacuum cleaner, clean the exterior with a damp cloth and mild soap.

## Service

- Tool servicing should only be performed at an Authorized TRUPER Service Center. Service and maintenance performed by unqualified persons can be dangerous and may cause personal injury as well as voiding the product warranty.
- When servicing a vacuum cleaner, request the use of genuine replacement parts. The use of unauthorized parts, or failure to provide proper maintenance, can pose a risk of electric shock or injury.



## Filter care

- The included filter is made of high-quality materials designed to trap small dust particles.
- To collect dust, the filter must be dry. If it is wet, it will quickly become clogged, making cleaning very difficult.
- Handle the filter carefully when removing it for cleaning or replacement. Check for tears; a small hole can allow dust to pass through the equipment. Do not use a filter with tears or holes, replace it immediately.
- To clean the filter, refer to the images below.

## Outer filter cleaning

1. Remove the filter cover with your fingers, then lift the filter and take it out.
2. Wash it with water and mild soap solution, then rinse it with clean water.
3. Allow the filter to air dry for 24 hours before reinstalling it back into the cage.
4. Place the filter back and close the compartment cover until you hear a click.

## Inner filter cleaning

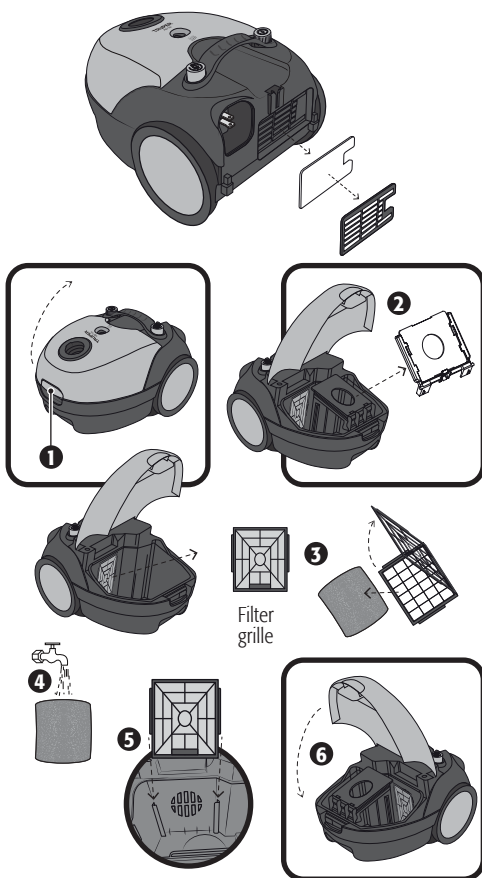
1. Press the locking button and lift the front cover.
2. Remove the dust collection bag from the machine.
3. Take out the black grid and open it to access the filter.
4. Wash the filter with water and mild soap solution, then rinse it with clean water. Allow the filter to air dry for 24 hours.
5. Place the filter back into the grid and slide it into the notches inside the dust chamber. Ensure that the grid is securely held by the guides.
6. Install the dust collection bag and close the front cover.

**CAUTION** Before cleaning the filters, gently tap them to remove larger residues.

**CAUTION** The filter cleaning process should be done outdoors, never indoors.

## Carbon brush replacement

- Carbon brushes should be periodically inspected and always replaced by an Authorized TRUPER Service Center when worn out.
- After replacement, request an inspection to ensure the new carbon brushes can move freely in the brush holder and ask for the tool to be turned on for 5 minutes to pair the contact of the brushes and the switch.
- Only genuine TRUPER brand replacement carbon brushes should be used, specifically designed with the appropriate hardness and electrical resistance for each type of motor. Out-of-specification carbon brushes can damage the motor.
- Whenever carbon brush replacement is required, both carbon brushes must be replaced.



**Problem****Cause****Corrective action**

The vacuum cleaner is not working.

- No power.
- Defective cable.
- Full bag.

- Check the power supply, cable, circuit breakers, and fuses.
- Unplug and check the power cable. If damaged, it should be repaired at an Authorized TRUPER Service Center.
- Empty and clean the dust collecting bag.

Dust is expelled from the motor cover.

- One of the filters is not placed or is incorrectly placed.

- Place or replace the filters.

Reduced motor/speed efficiency and vibration.

- Nozzle, hose, or container inlet blockage.
- Clogged filters due to fine dust presence.

- Check the nozzle, hose, and container inlet for any blockages.
- Remove the filters and clean them or install new ones.

In the event of any problem contacting an Authorized Truper Service Center, please see our webpage [WWW.TRUPER.COM](http://WWW.TRUPER.COM) to get an updated list, or call our toll-free numbers **800 690-6990** or **800 0187-873** to get information about the nearest Service Center.

- AGUASCALIENTES** **DE TODO PARA LA CONSTRUCCIÓN**  
GRAL. BARRAGÁN #1201, COL. GREMIAL, C.P. 20030,  
AGUASCALIENTES, AGS. TEL.: 449 994 0537
- BAJA CALIFORNIA** **SUCURSAL TIJUANA**  
AV. LA ENCANADADA, LOTE #5, PARQUE INDUSTRIAL EL  
FLORIDO II, C.P. 22244, TIJUANA, B.C.  
TEL.: 664 969 5100
- BAJA CALIFORNIA SUR** **FIX FERRETERÍAS**  
FELIPE ANGELES ESQ. RUIZ CORTÍNEZ S/N, COL. PUEBLO  
NUEVO, C.P. 23670, CD. CONSTITUCIÓN, B.C.S.  
TEL.: 613 132 1115
- CAMPECHE** **TORNILLERÍA Y FERRETERÍA AAA**  
AV. ALVARO OBREGÓN #524, COL. ESPERANZA  
C.P. 24080 CAMPECHE, CAMP. TEL.: 981 815 2808
- CHIAPAS** **FIX FERRETERÍAS**  
AV. CENTRAL SUR #27, COL. CENTRO, C.P. 30700,  
TAPACHULA, CHIS. TEL.: 962 118 4083
- CHIHUAHUA** **SUCURSAL CHIHUAHUA**  
AV. SILVESTRE TERRAZAS #128-11, PARQUE INDUSTRIAL  
BAFAR, CARRETERA MEXICO CUAUHTÉMOC, C.P. 31415,  
CHIHUAHUA, CHIH. TEL. 614 434 0052
- CIUDAD DE MÉXICO** **FIX FERRETERÍAS**  
EL MONSTRUO DE CORREGIDORA, CORREGIDORA # 35,  
COL. CENTRO, C.P. 06060, CUAUHTÉMOC, CDMX.  
TEL: 55 5522 5031 / 5522 4861
- COAHUILA** **SUCURSAL TORREÓN**  
CALLE METAL MECÁNICA #280, PARQUE INDUSTRIAL  
ORIENTE, C.P. 27278, TORREÓN, COAH.  
TEL.: 871 209 68 23
- COLIMA** **BOMBAS Y MOTORES BYMTESA DE MANZANILLO**  
BLVD. MIGUEL DE LA MADRID #190, COL. 16 DE  
SEPTIEMBRE, C.P. 28239, MANZANILLO, COL.  
TEL.: 514 332 1986 / 332 8013
- DURANGO** **TORNILLOS ÁGUILA, S.A. DE C.V.**  
MAZURIO #200, COL. LUIS ECHEVERRÍA, DURANGO,  
DGO. TEL.: 618 817 1946 / 618 818 2844
- ESTADO DE MÉXICO** **SUCURSAL CENTRO JILOTEPEC**  
PARQUE INDUSTRIAL # 1, COL. PARQUE INDUSTRIAL  
JILOTEPEC, JILOTEPEC, EDO. DE MÉX. C.P. 54257  
TEL: 761 782 9101 EXT. 5728 Y 5102
- GUANAJUATO** **CÍA. FERRETERA NUEVO MUNDO S.A. DE C.V.**  
AV. MÉXICO - JAPON #225, CD. INDUSTRIAL, C.P. 38010,  
CELAYA, GTO. TEL.: 461 617 7578 / 79 / 80 / 88
- GUERRERO** **CENTRO DE SERVICIO ECLIPSE**  
CALLE PRINCIPAL MZ1 LT. 1, COL. SANTA FE, C.P. 39010,  
CHILPANCINGO, GRO. TEL.: 747 478 5793
- HIDALGO** **FERREPRECIOS S.A. DE C.V.**  
LIBERTAD ORIENTE #304 LOCAL 30, INTERIOR DE PASAJE  
ROBLEDO, COL. CENTRO, C.P. 43600, TULANCINGO,  
HGO. TEL.: 775 753 6615 / 775 753 6616
- JALISCO** **SUCURSAL GUADALAJARA**  
AV. ADOLFO B. HORN # 6800, COL. SANTA CRUZ DEL  
VALLE, C.P.: 45655, TLAJOMULCO DE ZUNIGA, JAL.  
TEL.: 33 3606 5285 AL 90
- MICHOACÁN** **FIX FERRETERÍAS**  
AV. PASEO DE LA REPÚBLICA #5140-A, COL.  
EX-HACIENDA DE LA HUERTA, C.P. 58050, MORELIA,  
MICH. TEL.: 443 334 6858
- MORELOS** **FIX FERRETERÍAS**  
CAPITÁN ANZURES #95, ESQ. JOSÉ PERDIZ, COL.  
CENTRO, C.P. 62740, CUAUTLA, MOR.  
TEL.: 735 352 8931
- NAVARRIT** **HERRAMIENTAS DE TEPIC**  
MAZATLAN #117, COL. CENTRO, C.P. 63000, TEPIC, NAY.  
TEL.: 311 258 0540
- NUEVO LEÓN** **SUCURSAL MONTERREY**  
CARRETERA LAREDO #500, 1B MONTERREY PARKS,  
COLONIA PUERTA DE ANÁHUAC, C.P. 66052, ESCOBEDO,  
NUEVO LEÓN, TEL.: 81 8352 8791 / 81 8352 8790
- OAXACA** **FIX FERRETERÍAS**  
AV. 20 DE NOVIEMBRE #910, COL. CENTRO, C.P. 68300,  
TUXTEPEC, OAX. TEL.: 287 106 3092
- PUEBLA** **SUCURSAL PUEBLA**  
AV. PERIFÉRICO #2-A, SAN LORENZO ALMECATLA,  
C.P. 72710, CUAUHTLACINGO, PUE.  
TEL.: 222 282 8282 / 84 / 85 / 86
- QUERÉTARO** **ARU HERRAMIENTAS S.A. DE C.V.**  
AV. PUERTO DE VERACRUZ #110, COL. RANCHO DE  
ENMEDIO, C.P. 76842, SAN JUAN DEL RIO, QRO.  
TEL.: 427 268 4544
- QUINTANA ROO** **FIX FERRETERÍAS**  
CARRETERA FEDERAL MZ. 46 LT. 3 LOCAL 2, COL EJIDAL,  
C.P. 77710 PLAYA DEL CARMEN, Q.R.  
TEL.: 984 267 3140
- SAN LUIS POTOSÍ** **FIX FERRETERÍAS**  
AV. UNIVERSIDAD #1850, COL. EL PASEO, C.P. 78320,  
SAN LUIS POTOSÍ, S.L.P. TEL.: 444 822 4341
- SINALOA** **SUCURSAL CULIACÁN**  
AV. JESÚS KUMATE SUR #4301, COL. HACIENDA DE LA  
MORA, C.P. 80143, CULIACÁN, SIN.  
TEL.: 667 173 9139 / 173 8400
- SONORA** **FIX FERRETERÍAS**  
CALLE 5 DE FEBRERO #517, SUR LT. 25 MZ. 10, COL.  
CENTRO, C.P. 85000, CD. OBREGÓN, SON.  
TEL.: 644 415 2392
- TABASCO** **SUCURSAL VILLAHERMOSA**  
CALLE HELIO LÓTES 1, 2 Y 3 MZ. #1, COL. INDUSTRIAL,  
2A ETAPA, C.P. 86010, VILLAHERMOSA, TAB.  
TEL.: 993 353 7244
- TAMAULIPAS** **VM ORINGS Y REFACCIONES**  
CALLE ROSITA #527 ENTRE 20 DE NOVIEMBRE Y GRAL.  
RODRIGUEZ, FRACC. REYNOSA, C.P. 88780, REYNOSA,  
TAMS. TEL.: 899 926 7552
- TLAXCALA** **SERVICIOS Y HERRAMIENTAS INDUSTRIALES**  
PABLO SIDAR #132, COL. BARRIO DE SAN BARTOLOMÉ,  
C.P. 90970, SAN PABLO DEL MONTE, TLAX.  
TEL.: 222 271 7502
- VERACRUZ** **LA CASA DISTRIBUIDORA TRUPER**  
BLVD. PRIMAVERA, ESQ. HORTENSIA S/N, COL.  
PRIMAVERA C.P. 93308, POZA RICA, VER.  
TEL.: 782 823 8100 / 826 8484
- YUCATÁN** **SUCURSAL MÉRIDA**  
CALLE 33 #600 Y 602, LOCALIDAD ITZINCAB Y MULSAY,  
MPIO. UMAN, C.P. 97390, MÉRIDA, YUC.  
TEL.: 999 912 2451

Code	Model	Brand
103159	ASD-120	TRUPER®

**Warranty.** Duration: 1 year. Coverage: parts, components, and labor against manufacturing or operational defects, except when used under conditions other than normal, not operated according to the instructions, altered, or repaired by unauthorized personnel not authorized by TRUPER®. To enforce the warranty, present the product, sealed policy, invoice, or receipt, at the establishment where you purchased it or at Corregidora 35, Centro, Cuauhtémoc, CDMX, 06060, where you can also purchase parts, components, consumables, and accessories. It includes transportation expenses for the product resulting from its service network compliance. Tel. **800-018-7873**. Made in/Hecho en China. Importer **TRUPER, S.A. de C.V.** Parque Industrial 1, Parque Industrial Jilotepec, Jilotepec, Edo. de Méx. C.P. 54257, Tel. 761 782 9100.

Stamp of the business. Delivery date:





Sello del establecimiento comercial. Fecha de entrega:

**Garantía.** Duración: 1 año. Cobertura: piezas, componentes y mano de obra contra defectos de fabricación o funcionamiento, excepto si se usó en condiciones distintas a las normales; cuando no fue operado conforme instructivo; fue alterado o reparado por personal no autorizado por TRUPER®. Para hacer efectiva la garantía presente el producto, póliza sellada o factura o recibo o comprobante, en el establecimiento donde lo compró en Corregidora 35, Centro, Cuauhtémoc, CDMX, 06060, donde también podrá adquirir partes, componentes, consumibles y accesorios. Incluye los gastos de transporte del producto que deriven de su cumplimiento de su red de servicio. Tel. **800-018-7873**. Made in/Hecho en China. Importador **TRUPER, S.A. de C.V.** Parque Industrial 1, Parque Industrial Jilotepec, Jilotepec, Edo. de Mex. C.P. 54257, Tel. 761 782 9100.

Código	Modelo	Marca
103159	ASD-120	TRUPER

Póliza de  
garantía

TRUPER®

En caso de tener algún problema para contactar un Centro de Servicio Autorizado TRUPER, consulte nuestra página [WWW.TRUPER.COM](http://WWW.TRUPER.COM) donde obtendrá un listado actualizado, o llame al: 800 690-6990 o 800 0187-873 donde le informarán cuál es el centro de servicio más cercano.

## Centros de servicio autorizados

### AGUASCALIENTES

#### DE TODO PARA LA CONSTRUCCIÓN

AGUASCALIENTES A.G.S. TEL.: 449 994 0557  
 GRAL. BARRAGÁN #1201, COL. GRENAL, C.P. 20030,

### BAJA

#### SUCURSAL TIJUANA

FLORIDO II, C.P. 22244, TIJUANA, B.C.  
 TEL.: 664 969 5100

### CALIFORNIA SUR

#### FIX FERRERÍAS

FELIPE ÁNGELÉS ESQ. RUIZ CORTÍNEZ S/N, COL. PUEBLO  
 NUEVO, C.P. 25670, CD. CONSTITUCIÓN, B.C.S.  
 TEL.: 613 152 1115

### CHIAPAS

#### FIX FERRERÍAS

AV. CENTRAL SUR #27, COL. CENTRO, C.P. 50700,  
 TAPACHULÁ, CHI.S. TEL.: 962 118 4085

### CHIHUAHUA

#### SUCURSAL CHIHUAHUA

AV. SILVESTRE TERRAZAS #128-11, PARQUE INDUSTRIAL  
 BARR, CARRETERA MEXICO CUAHTEMOC, C.P. 31415,  
 CHIHUAHUA, CHIH. TEL. 614 454 0052

### CUIDAD DE MEXICO

#### FIX FERRERÍAS

EL MONSTRINO DE CORECIODORA, CORECIODORA # 35,  
 COL. CENTRO, C.P. 06060, CUAHTEMOC, CDMX.  
 TEL.: 55 5522 5031 / 5522 4861

### COAHUILA

#### SUCURSAL TORREÓN

CALLE METAL MECÁNICA #280, PARQUE INDUSTRIAL  
 ORIENTE, C.P. 27278, TORREÓN, COAH.  
 TEL.: 871 209 66 25

### COLIMA

#### BOMBAS Y MOTORES BYMTESA DE MANZANILLO

BLVD. MIGUEL DE LA MADRID #190, COL. 16 DE  
 SEPTIEMBRE, C.P. 28259, MANZANILLO, COL.  
 TEL.: 514 332 1986 / 332 8013

### DURANGO

#### TORNILLOS ÁGUILA, S.A. DE C.V.

MAZUNO #200, COL. LUIS ECHVERRÍA, DURANGO,  
 DGO. TEL.: 618 818 1719 / 618 818 2844

### ESTADO DE MEXICO

#### SUCURSAL CENTRO JILOTEPEC

PARQUE INDUSTRIAL #1, COL. PARQUE INDUSTRIAL  
 JILOTEPEC, JILOTEPEC, EDO. DE MEX. C.P. 54257  
 TEL.: 761 782 9101 EXT. 5728 Y 5102

### GUANAJUATO

#### CLA FERRETERIA NUEVO MUNDO S.A. DE C.V.

AV. MEXICO - JAPON #225, CD. INDUSTRIAL, C.P. 38010,  
 Celaya, GTO. TEL.: 461 617 7578 / 79 / 80 / 88

### GUERRERO

#### CENTRO DE SERVICIO ECLIPSES

CALLE PRINCIPAL M21 II, C.P. SANTA FE, C.P. 39010,  
 CHILPANCIINGO, GRD. TEL.: 747 478 5793

### HIDALGO

#### FERREPERCOS S.A. DE C.V.

LIBERTAD ORIENTE #504 LOCAL 30, INTERIOR DE PASAJE  
 ROBELO, CO. TEL.: 43600, TULANGINGO,  
 HGO. TEL.: 775 753 6615 / 775 753 6616

### JALISCO

#### SUCURSAL GUANAJUATARA

AV. ADOLFO B. HORN #6800, COL. SANTA CRUZ DEL  
 VALLE, C.P. 45655, TLAJOMUNCO DE ZUNIGA, JAL.  
 TEL.: 33 3606 5282 AL 90

### MICHOCÁN

#### FIX FERRERÍAS

AV. PASEO DE LA REPÚBLICA #3140-A, COL.  
 ECHVACIENDA DE LA HUERTA, C.P. 58050, MORELIA,  
 MICH. TEL.: 445 334 6858

### MORELOS

#### FIX FERRERÍAS

CAPTAN ANZURES #95, ESQ. JOSÉ PEREZ, COL.  
 CENTRO, C.P. 62740, CUAUTLA, MOR.  
 TEL.: 755 552 8931

### NAVARIT

#### HERRAMIENTAS DE TEPIC

MÁZATLÁN #117, COL. CENTRO, C.P. 65000, TEPIC, NAY.  
 TEL.: 511 258 0540

### NUEVO LEÓN

#### SUCURSAL MONTERREY

CARRETERA LAREDO #300, 18 MONTERREY PARKS,  
 COLONIA PUERTA DE ANHUAC, C.P. 66052, ESCOBEDO,  
 NUEVO LEÓN, TEL.: 81 8352 8791 / 81 8352 8790

### OAXACA

#### FIX FERRERÍAS

AV. 20 DE NOVIEMBRE #910, COL. CENTRO, C.P. 68300,  
 TUXTEPEC, OAX. TEL.: 287 106 5092

### PUEBLA

#### SUCURSAL PUEBLA

AV. PERRIERICO #2-A, SAN LORENZO ALMECATELA,  
 PUE. TEL.: 222 282 882 / 84 / 85 / 86

### QUERÉTARO

#### ARU HERRAMIENTAS S.A DE C.V.

AV. PUERTO DE VERACRUZ #110, COL. RANCHO DE  
 ENMEDIO, C.P. 76842, SAN JUAN DEL RÍO, QRO.  
 TEL.: 477 268 4544

### QUINTANA ROO

#### FIX FERRERÍAS

CARRETERA FEDERAL MZ. 46 IT 3 LOCAL 2, COL. ELDAL,  
 C.P. 77710 PLAYA DEL CARMEN, Q.R.  
 TEL.: 984 267 3140

### SAN LUIS POTOSÍ

#### FIX FERRERÍAS

AV. UNIVERSIDAD #1850, COL. EL PASEO, C.P. 78320,  
 SAN LUIS POTOSÍ, S.L.P. TEL.: 444 822 4541

### SINALOA

#### SUCURSAL CULIACÁN

AV. JESÚS KUMIAT SUR #4301, COL. HACIENDA DE LA  
 MORAY, C.P. 80143, CULIACÁN, SIN.  
 TEL.: 667 175 9139 / 175 8400

### SONORA

#### FIX FERRERÍAS

CALLE 5 DE FEBRERO #517, SUR IT. 25 MZ. 10, COL.  
 CENTRO, CD. OBRERÓN, SON.  
 TEL.: 644 415 2392

### TABASCO

#### SUCURSAL VILLAHERMOSA

CALLE HEIDO LOTES 1, 2 Y 3 MZ. #1, COL. INDUSTRIAL,  
 ZA ETAPA, C.P. 86010, VILLAHERMOSA, TAB.  
 TEL.: 935 353 535 7244

### TAMAUPLIAS

#### VM ORINOS Y REFRACCIONES

CALLE ROSITA #527 ENTRE 20 DE NOVIEMBRE Y GRAL.  
 RODRÍGUEZ, FRACC. REYNOSA, C.P. 88780, REYNOSA,  
 TAMS. TEL.: 899 926 7525

### TLAXCALA

#### SERVICIOS Y HERRAMIENTAS INDUSTRIALES

PARQUE SIDA #132, COL. BARRIO DE SAN BARTOLOMÉ,  
 C.P. 222 271 7502

### VERACRUZ

#### LA CASA DISTRIBUIDORA TRUPER

BLVD. PRIMAVERA ESQ. HORTENSIA S/N, COL.  
 PRIMAVERA, C.P. 93080, POZA RICA, VER.  
 TEL.: 782 825 8100 / 826 8484

### YUCATÁN

#### SUCURSAL MÉRIDA

CALLE 33 #600 Y 602, LOCALIDAD TIZICAB Y MULSA,  
 MPIO. UMIÁN, C.P. 97390, MÉRIDA, YUC.  
 TEL.: 999 912 2451

# Solución de problemas

**TRUPER®**

## Problema Causa Solución

La aspiradora no funciona.

- No hay energía eléctrica.
- Cable defectuoso.

- Revise el suministro eléctrico, el cable, los interruptores de circuito y los fusibles.
- Desenchufe y revise el cable eléctrico. En caso de estar dañado debe ser reparado en un Centro de Servicio Autorizado TRUPER.

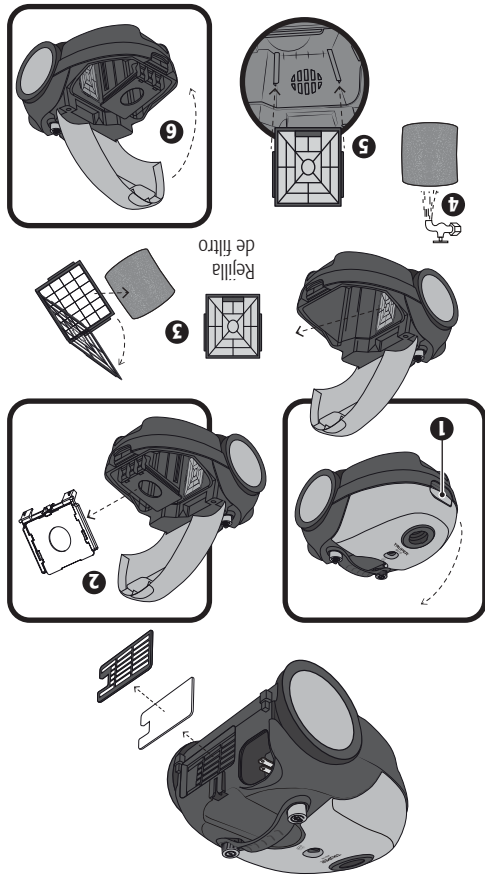
Sale polvo por la cubierta del motor.

- No está colocado el filtro o está mal colocado.

- Coloque o reemplace el filtro.

Reducción de eficiencia y vibración del motor / velocidad.

- Hay un bloqueo en la boquilla, manguera o en la entrada del contenedor.
- Retire el filtro y límpielo o instale uno nuevo.



1. Presione el botón de bloqueo y levante la cubierta frontal.
2. Retire la bolsa recolectora de la máquina.
3. Retire la rejilla negra y abra la cámara para extraer el filtro.
4. Lávelo con una solución de agua y jabón suave y enjuáguelo con agua limpia. Deje secar el filtro al aire libre por 24 horas.
5. Coloque nuevamente el filtro en la rejilla y deslicela en las muescas al interior de la cámara de polvo. Asegúrese de que la rejilla quede bien sujeta por las guías.
6. Instale la bolsa recolectora y cierre la cubierta frontal.

**Limpieza del filtro interior**

1. Retire la cubierta del filtro con los dedos, luego levante el filtro y sáquelo.
2. Lávelo con una solución de agua y jabón suave y enjuáguelo con agua limpia.
3. Deje secar el filtro al aire libre por 24 horas antes de instalarlo de nuevo en la jaula.
4. Coloque nuevamente el filtro y cierre la tapa del compartimiento hasta escuchar un click.

**Limpieza del filtro exterior**

- El filtro incluido está hecho con materiales de alta calidad, diseñados para detener partículas pequeñas de polvo.
- Para poder recoger el polvo, el filtro debe estar seco. En caso de que esté húmedo, el filtro se tapará rápidamente y hará muy difícil la labor de limpieza.
- Maneje con cuidado el filtro cuando lo quite para limpiarlo o para cambiarlo. Verifique que no tenga rasgaduras; un agujero pequeño puede dejar pasar el polvo a través del equipo. No utilice un filtro con rasgaduras o agujeros, reemplácelo de inmediato.
- Para limpiar el filtro, consulte las siguientes imágenes.

**Cuidado del filtro**

**Mantenimiento**

- Los carbonos deben revisarse periódicamente, y ser reemplazados siempre por un Centro de Servicio Autorizado TRUPER cuando se hayan desgastado.
- Después de que hayan sido reemplazados, pída que se inspeccione si los nuevos carbonos pueden moverse libremente en el porta-carbon y solicite que enciendan la herramienta durante 5 minutos para empujar el contacto de los carbonos y el conmutador.
- Solo se deben de usar carbonos de repuesto originales marca TRUPER, diseñados específicamente con la dureza y la resistencia eléctrica adecuadas para cada tipo de motor. Los carbonos fuera de especificaciones pueden dañar el motor.
- Siempre que se requiera el cambio de carbonos, deberán reemplazarse los dos carbonos.

**Cambio de carbonos**



**Puesta en marcha**

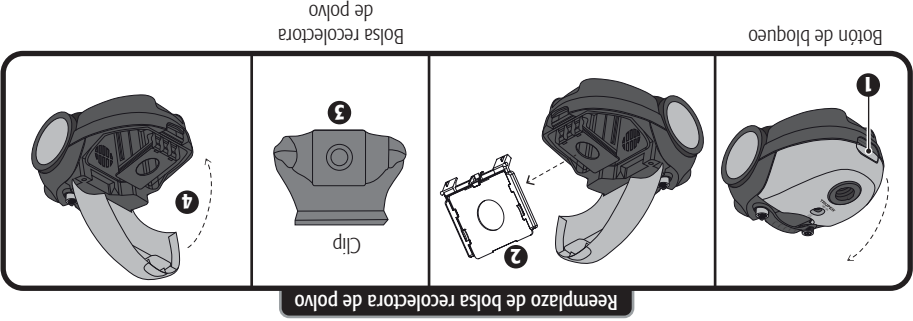
**Transporte y almacenamiento**

- Para transportar la aspiradora, puede levantarla por el asa. La aspiradora cuenta con almacenamiento de accesorios.
- Para almacenar, coloque el accesorio combinado pisos/alfombras en la ranura posterior o interior de la aspiradora
- Para almacenar en posición vertical, coloque el soporte de fijación en el agujero del cuerpo.
- La aspiradora debe guardarse en lugares cerrados.

- Su aspiradora cuenta con una bolsa recolectora de polvo lavable, que deberá vaciar y/o lavar cuando esté llena.
- Verifique el indicador de depósito lleno (página 7).
- Cuando note que el nivel de succión ha disminuido, también deberá revisar la bolsa.

1. Presione el botón de bloqueo y levante la cubierta frontal. Retire la bolsa recolectora y remueva el clip para vaciar el contenido de la bolsa, sacúdala de ser necesario. Lave la bolsa a mano con agua fría y deje secar por 24 horas. Asegúrese de que la bolsa esté completamente seca antes de colocarla en la aspiradora.
2. Asegúrese de que la abertura de la bolsa recolectora de polvo esté completamente cerrada con el clip. Coloque el clip nuevamente en la bolsa antes de colocarla de nuevo en la aspiradora. Verifique que el clip sella completamente la abertura de la bolsa.
3. Presione el bloqueo para abrir la cubierta frontal y coloque la bolsa en la posición correspondiente. Cierre la cubierta frontal adecuadamente.

**NOTA** Consulte las siguientes imágenes:



**Mantenimiento**

Esta aspiradora esta prevista unicamente para uso domestico y no con objetivos comerciales. El fabricante no asume la responsabilidad por ningún daño que pudiera ocurrir debido al uso indebido o al manejo inadecuado.

**Limpeza**

- Retire la manquera después de cada uso.
- Mantenga siempre libres y limpias las aberturas de ventilación. Sople regularmente con aire comprimido o limpie con una brocha.
- Para mantener el aspecto de la aspiradora, limpie el exterior con un paño húmedo y jabón suave.

**Servicio**

- El servicio de las herramientas debe ser realizado únicamente en un Centro de Servicio Autorizado TRUPER. El servicio y mantenimiento realizado por personas no calificadas puede resultar peligroso y llegar a ocasionar daños personales además de invalidar la garantía del producto.
- Al dar servicio a una aspiradora, solicite que se utilicen solo piezas de repuesto originales. El uso de piezas no autorizadas, o no dar un mantenimiento adecuado, puede ocasionar un riesgo de electrocución o lesiones.

## Encendido y apagado

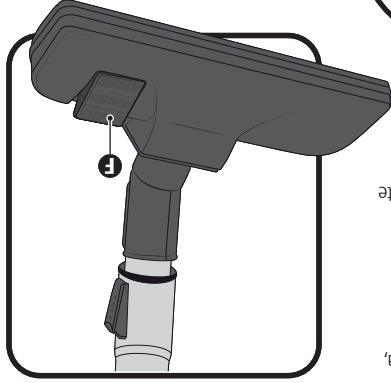
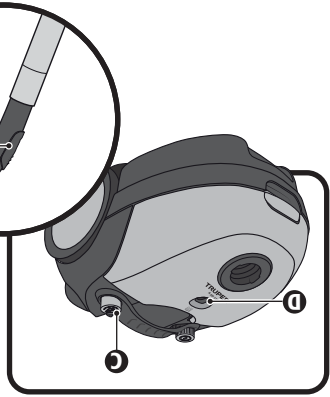
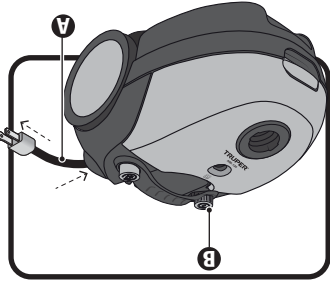
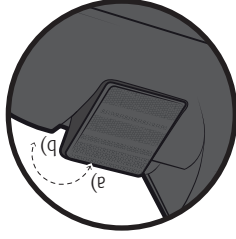
- Para sacar el cable, jálelo a la longitud deseada (A).
- Presione el botón de encendido/apagado para prender la aspiradora (B).
- Al terminar la limpieza, desconecte la clavija de la toma de corriente eléctrica y presione levemente el botón de rebobinado del cable tomacorriente (C).
- Siempre verifique que el interruptor se encuentre en la posición de apagado antes de conectar el cable al tomacorriente.

## Uso de la aspiradora

- Asegúrese de que la bolsa recolectora de polvo y el filtro del motor estén colocados correctamente.
- Puede ajustar el flujo de aire con el regulador de succión ubicado en el mango (E); deslicelo hacia arriba o hacia abajo.
- Si la boya roja del indicador de depósito lleno (D) se mueve al centro de la pequeña ventana, verifique si la bolsa recolectora de polvo está llena o hay alguna obstrucción.
- Si la bolsa recolectora de polvo está llena, retire y limpie o instale una nueva (página 8).
- **¡ATENCIÓN!** Limpiar o cambiar la bolsa recolectora de polvo mantendrá la potencia del motor y prolongará la vida de su aspiradora.
- Se recomienda hacer cambio de bolsa cada 6 meses aproximadamente.

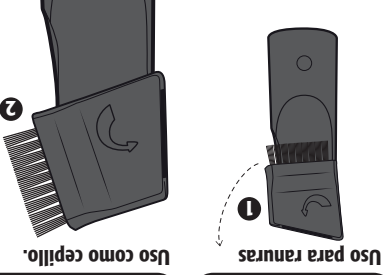
## Accesorios

- Con el objetivo de conseguir mayor eficacia en la limpieza, mantenga los accesorios siempre limpios.
- Antes de utilizar la boquilla de piso con jalador y cepillo, asegúrese de que la posición del botón (F) sea la correcta para el tipo de superficie a limpiar.
- Baje el cepillo para aspirar pisos.
- Utilice el cepillo para aspirar alfombras.
- Utilice el regulador de succión (E) para reducir rápidamente la potencia de succión; esto se recomienda al aspirar superficies y objetos muy delicados.



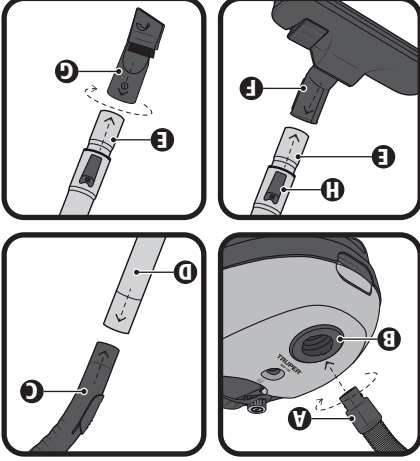
Boquilla de piso con jalador y cepillo

Boquilla 2 en 1 cepillo / para ranuras



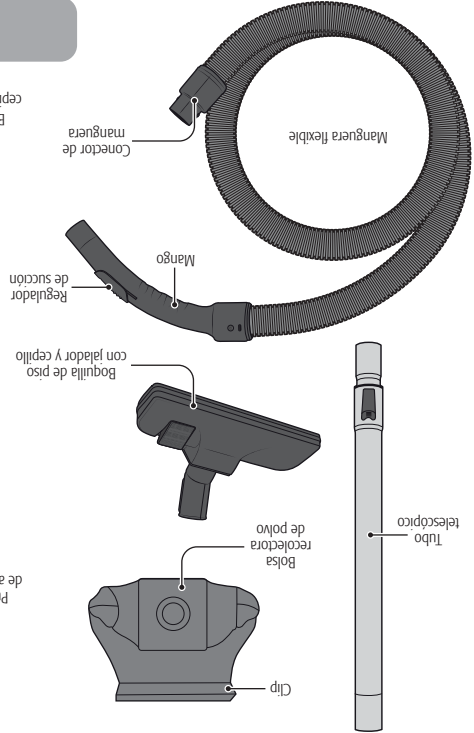
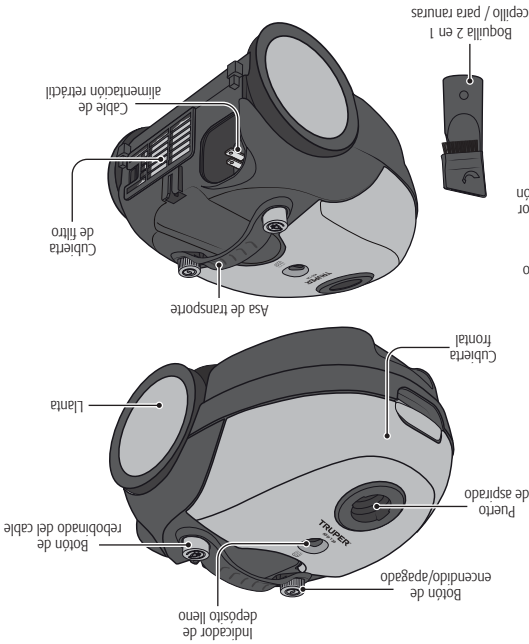
Uso como cepillo.

Uso para ranuras



- Inserte el conector de la manguera (A) en el puerto de aspirado. Asegúrese de alinear correctamente las muescas. Gire la manguera en sentido de las manecillas del reloj para fijar la manguera a la máquina.
  - Inserte el mango (C) en el extremo más ancho del tubo telescópico (D).
  - Seleccione el accesorio de acuerdo con el tipo de aspirado que desea realizar e insértelo en el extremo libre del tubo telescópico.
- ¡ATENCIÓN!** Presione el enganche (H) y tire del tubo telescópico para extenderlo.
- ¡NOTA!** La boquilla 2 en 1 cepillo / para ranuras (G) tiene doble función:
- 1. Boquilla para ranuras.
  - 2. Cepillo para sofás, libreros, cortinas y muebles. Use este accesorio para llegar a rincones de difícil acceso.

## Ensamble



## Partes

TRUPER®

# Advertencias de seguridad



para uso de aspiradoras

## Materiales peligrosos

**ADVERTENCIA** • No aspire o utilice la aspiradora

cerca de líquidos inflamables, gases o vapores explosivos como gasolina u otros combustibles, líquido para encendedor, líquidos calientes, limpiadores, pinturas con base de acetil, gas natural, hidrógeno o polvos explosivos tales como polvo de carbón, polvo de magnesio, polvo de granos o pólvora. Las chispas dentro del motor pueden encender los vapores o polvos inflamables.

**ADVERTENCIA** • No aspire nada que se esté quemando o produzca humo, tal como cigarrillos, cerillos o cenizas calientes.

**ADVERTENCIA** • Para reducir el riesgo de daños a la

salud, no aspire materiales tóxicos.

- No aspire polvo de mampostería u hollín de la chimenea, y que es un polvo muy fino y no será atapado por el filtro, lo que puede ocasionar daños al motor. Cuando aspire polvo fino utilice un filtro especial para polvo (se vende por separado).

**ADVERTENCIA** • Para reducir el riesgo de daños a la

salud, no aspire materiales tóxicos.

## Cable



- No jale la aspiradora ni la traslade tomándola por el cable; no utilice el cable como mango, no cierre puertas sobre el cable, no pase el cable por orillas o esquinas filosas.
- Mantenga el cable lejos de las superficies calientes.
- No desenchufe la aspiradora jalando el cable. Para desenchufar, tome la clavija, no el cable.
- No utilice la aspiradora con el cable o la clavija en mal estado.
- No pase la aspiradora sobre el cable.
- No tome la clavija o la aspiradora con las manos húmedas.
- Para reducir el riesgo de lesiones debido a encendido accidental, desconecte el cable de alimentación antes de cambiar o limpiar el filtro.

## Mientras opera la aspiradora

**ADVERTENCIA** • No utilice la aspiradora para

aspirar líquidos.

- **ADVERTENCIA** • Mantenga el cabello, la ropa suelta, los dedos y cualquier otra parte del cuerpo alejados de las aberturas y partes móviles.
- No use ni almacene cerca de materiales peligrosos.
- No deje la aspiradora funcionando sin atención.
- No deje la aspiradora desatendida cuando esté enchufada a la fuente de energía.
- No coloque ningún objeto sobre las aberturas de ventilación.

- Para reducir el riesgo de daños a la aspiradora con el filtro roto o sin el filtro a cualquier cosa que reduzca el flujo de aire.
- No opere la aspiradora con las aberturas de ventilación bloqueadas; manténgalas libres de polvo, pelusa, cabello cuando limpie escaleras.

- Si la aspiradora no funciona como es debido, le faltan partes, se ha dejado caer o está dañada, se quedó en el Autorizado TRUPER.
- Apague la aspiradora antes de desenchufarla.
- Desenchúfela del tomacorriente cuando no esté en uso o antes de darle servicio.

- No permita que se utilice como juguete. Se debe tener particular atención cuando la utilicen niños o cuando estén cerca.
- No exponga la aspiradora a la lluvia. Almacene en interiores.

- Utilice protectores auriculares cuando el ruido sea superior a 85 dB que hagan ruidos superiores a 85 dB

**ADVERTENCIA** El aparato no está previsto para

su utilización por personas (incluidos los niños) cuyas capacidades físicas, sensoriales o mentales son reducidas, o por personas sin experiencia o conocimientos, salvo si estas se encuentran vigiladas por una persona responsable de su seguridad o han recibido instrucciones previas sobre el uso del aparato.

**ADVERTENCIA** Los niños deberán estar bajo

supervisión para cerciorarse de que no jueguen con el aparato. Se requiere estricta supervisión cuando las personas discapacitadas o los niños utilicen cualquier aparato eléctrico o estén cerca de él.



Esta herramienta cumple con la Norma Oficial Mexicana (NOM).

**Advertencias generales de seguridad para herramientas eléctricas**

**¡ADVERTENCIA! Lea detenidamente todas las advertencias de seguridad y todas las instrucciones que se enlistan a continuación.** La omisión de alguna de ellas puede dar como resultado un choque eléctrico, incendio y/o daño serio. **Conserve las**

Área de trabajo Mantenga el área de trabajo limpia y bien iluminada.

Las áreas desordenadas y oscuras son propensas a accidentes.

Como maneja la herramienta en ambientes explosivos.

Las herramientas eléctricas producen chispas que pueden encender material inflamable.

Mantenga alejados a los niños y curiosos cuando opere la herramienta.

Las distracciones pueden hacer que pierda el control.

**Seguridad eléctrica** La clavija de la herramienta debe coincidir con el tomacorriente. Nunca modifique una clavija. No use ningún tipo de adaptador para clavijas de herramientas puestas a tierra.

Clavijas modificadas y enchufes aumentan el riesgo de choque eléctrico.

Evite el contacto del cuerpo con superficies puestas a tierra como tuberías, radiadores, cocinas eléctricas y refrigeradores.

Hay un mayor riesgo de choque eléctrico si el cuerpo está puesto a tierra.

No aqueje la herramienta a la lluvia o condiciones de humedad.

No toque el cable. Nunca use el cable para transportar, levantar o desconectar la herramienta. Mantenga el cable lejos del calor, aceite, orillas afiladas o piezas en movimiento.

Cuando maneje una herramienta en exteriores, use una extensión especial para uso en exteriores.

El uso de una extensión adecuada para exteriores reduce el riesgo de choque eléctrico.

Si el uso de la herramienta en un lugar húmedo es inevitable, use una alimentación protegida por un interruptor de circuito de falla a tierra (GFCI).

El uso de un GFCI reduce el riesgo de choque eléctrico.

**Seguridad personal** Está alerta, vigile lo que está haciendo y use el sentido común cuando maneje una herramienta. No la use si está cansado o bajo la influencia de drogas, alcohol o medicamentos.

Un momento de distracción mientras maneja la herramienta puede causar un daño personal.

Use equipo de seguridad. Use siempre protección para los ojos.

El uso de equipo de seguridad como lentes de seguridad, mascarilla antipolvo, zapatos antiesplazos, casco y protección para los oídos en condiciones apropiadas, reduce de manera significativa los daños personales.

Evite arranques accidentales. Asegúrese de que el interruptor de alimentación y/o a la batería o transportar la herramienta.

Transfiera herramientas eléctricas con el dedo sobre el interruptor o "encendido" puede causar accidentes.

Retire cualquier llave o herramienta de ajuste antes de arrancar la herramienta eléctrica.

Las llaves o herramientas que quedan en las partes rotativas de la herramienta pueden causar un daño personal.



No sobrepase su campo de acción. Mantenga ambos pies bien asentados sobre el suelo y conserve el equilibrio en todo momento.

Este permite un mejor control de la herramienta en situaciones inesperadas. Vista adecuadamente. No vista ropa suelta o joyas. Mantenga su pelo, su ropa y guantes alejados de las piezas en movimiento.

La ropa suelta, joyas o cabello largo pueden quedar atrapados en las piezas en movimiento.

En caso de contar con dispositivos de extracción y recolección de polvo correctamente.

El uso de estos dispositivos reduce los riesgos relacionados con el polvo.

**Uso y cuidados de la herramienta** Use la herramienta adecuada para el trabajo a realizar.

La herramienta adecuada hace un trabajo mejor y más seguro cuando se usa al ritmo para el que fue diseñado.

No use la herramienta si el interruptor no funciona. Cualquier herramienta eléctrica que no pueda encenderse o apagarse es peligrosa y debe repararse antes de ser operada.

Desconecte la herramienta de la fuente de alimentación y/o de la batería antes de efectuar cualquier ajuste, cambiar accesorios o almacenarla.

Estas medidas reducen el riesgo de arrancar la herramienta accidentalmente. Almacene las herramientas fuera del alcance de los niños y no permita su manejo por personas no familiarizadas con las herramientas o con las instrucciones.

Las herramientas eléctricas son peligrosas en manos no entrenadas.

Dele mantenimiento a la herramienta. Compruebe que las partes móviles no estén desalineadas o trabadas, que no haya piezas rotas u otras condiciones que puedan afectar su operación. Repare cualquier daño antes de usar la herramienta.

Muchos accidentes son causados por el escaso mantenimiento de las herramientas.

Use la herramienta, sus componentes y accesorios de acuerdo con estas instrucciones y de la manera revisada para el tipo de herramienta, en condiciones de trabajo adecuadas.

El uso de la herramienta para aplicaciones diferentes para las que está diseñada podría causar una situación de peligro.

**Servicio** Repare la herramienta en un Centro de Servicio Autorizado TRUPER, usando sólo piezas de repuesto idénticas.

Para mantener la seguridad de la herramienta.

La máquina no debe de ser utilizada por niños ni por personas con capacidades físicas, sensoriales o mentales reducidas, tampoco por personas sin experiencia o conocimientos en su uso, a menos que estén supervisadas por una persona responsable de su seguridad o que reciban instrucciones previas sobre el uso de la máquina.

Los niños deben de estar bajo supervisión para asegurarse de que no jueguen con la máquina. Se debe de mantener una estricta supervisión si niños o personas discapacitadas llegan a utilizar cualquier tipo de aparato electrodoméstico o estén cerca de él.

**Advertencia** Mantenga la seguridad de la herramienta.

**Advertencia** Mantenga la seguridad de la herramienta.

**Advertencia** Mantenga la seguridad de la herramienta.

**Advertencia** Mantenga la seguridad de la herramienta.

**Advertencia** Mantenga la seguridad de la herramienta.

**Advertencia** Mantenga la seguridad de la herramienta.

**Advertencia** Mantenga la seguridad de la herramienta.

**Advertencia** Mantenga la seguridad de la herramienta.

**Advertencia** Mantenga la seguridad de la herramienta.

**Advertencia** Mantenga la seguridad de la herramienta.

**Advertencia** Mantenga la seguridad de la herramienta.

## ASD-120

103159	Aspiradora canister	127 V ~	60 Hz	10 A	1 200 W (1.6 Hp)	1 L (0.2 gal)	16 kPa (2.3 PSI)	18 AWG x 2C	IPX0
•	Descripción	•	Tensión	•	Potencia nominal	•	Capacidad	•	Presión de aspirado
•	Código	•	Frecuencia	•	Corriente	•	Conductores	•	Asistamiento
•	Clase II	•	Grado IP	•	Clase II	•	Grado IP	•	IPX0

El cable de alimentación tiene sujeto-cables tipo: Y

La clase de construcción de la herramienta es: Doble aislamiento

La clase de aislamiento térmico de los devanados del motor: Clase B

### ADVERTENCIA

Si el cable de alimentación se daña, este debe ser reemplazado por el fabricante o Centro de Servicio Autorizado TRUPER, con el fin de evitar algún riesgo de descarga o accidente considerable.

La construcción del aislamiento eléctrico de esta herramienta es alterado por espículas de derramamiento de líquidos durante su operación. No la exponga a la lluvia, líquidos y/o humedad.

Antes de obtener acceso a las terminales, todos los circuitos de alimentación deben ser desconectados.



# Requerimientos eléctricos

### ADVERTENCIA

Las herramientas de doble aislamiento están equipadas con una dajija polarizada (una pata es más ancha que la otra). Esta dajija cabe en cualquier enchufe polarizado y solo puede conectarse de una forma. Si la dajija no

cabe en el enchufe, voltaje. Si aún así no cabe, póngase en contacto con un electricista calificado o instale un enchufe polarizado. No aliere la dajija en forma alguna. El doble

aislamiento elimina la necesidad de un cable de corriente de tres partes con conexión a tierra o de un sistema de corriente eléctrica con conexión a tierra.



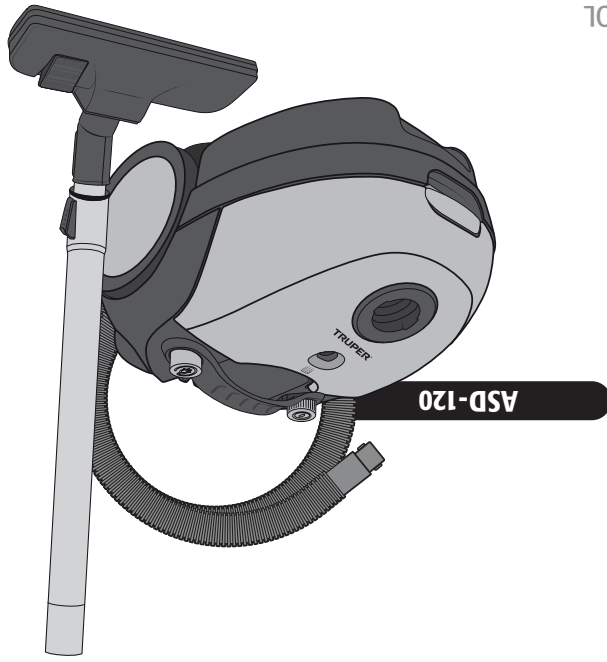
**ADVERTENCIA** Al usar un cable de extensión, asegúrese de usar el calibre suficiente para transportar la corriente que consumirá su herramienta. Un cable de un calibre inferior ocasionará caídas de tensión en la línea, teniendo como resultado pérdida de potencia y sobrecalentamiento del motor. La siguiente tabla muestra el tamaño correcto que debe usarse dependiendo de la longitud del cable y de la capacidad de amperes indicada en la placa de datos de la herramienta. Si tiene dudas use el siguiente calibre más alto.


Capacidad en Amperes	Número de conductores	Calibre de extensión
de 0 A hasta 10 A	3 (uno a tierra)	18 AWG(*)
de 10 A hasta 13 A		16 AWG
de 13 A hasta 15 A		14 AWG
de 15 A hasta 20 A		12 AWG
		6 AWG

\* Se permite utilizar siempre y cuando las extensiones mismas cuenten con un artefacto de protección contra sobrecorriente. AWG = Calibre de alambre estadounidense (American Wire Gauge). Referencia: NMX-F-195-AWGC

**ADVERTENCIA** Al operar herramientas eléctricas en exteriores, utilice una extensión aterrizada marcada como "Uso exterior" marca **VOLTECK**. Estas extensiones son especiales para el uso en exteriores y reducen el riesgo de sufrir una descarga eléctrica.





**ATENCIÓN** 

Para poder sacar el máximo provecho de la herramienta, alargar su vida útil, hacer válida la garantía en caso de ser necesario y evitar riesgos o lesiones graves, es fundamental leer este instructivo por completo antes de usar la herramienta.

Guarde este instructivo para futuras referencias. Los gráficos de este instructivo son para referencia, pueden variar del aspecto real de la herramienta.

- 3 Especificaciones técnicas.
- 3 Requerimientos eléctricos.
- 4  Advertencias generales de seguridad para herramientas eléctricas.
- 5  Advertencias de seguridad para uso de aspiradoras.
- 6 Partes.
- 6 Ensamble.
- 7 Puesta en marcha.
- 8 Mantenimiento.
- 10 Solución de problemas.
- 11 Centros de servicio autorizados.
- 12 Póliza de garantía.

ESPAÑOL  
ENGLISH

# TRUPER®

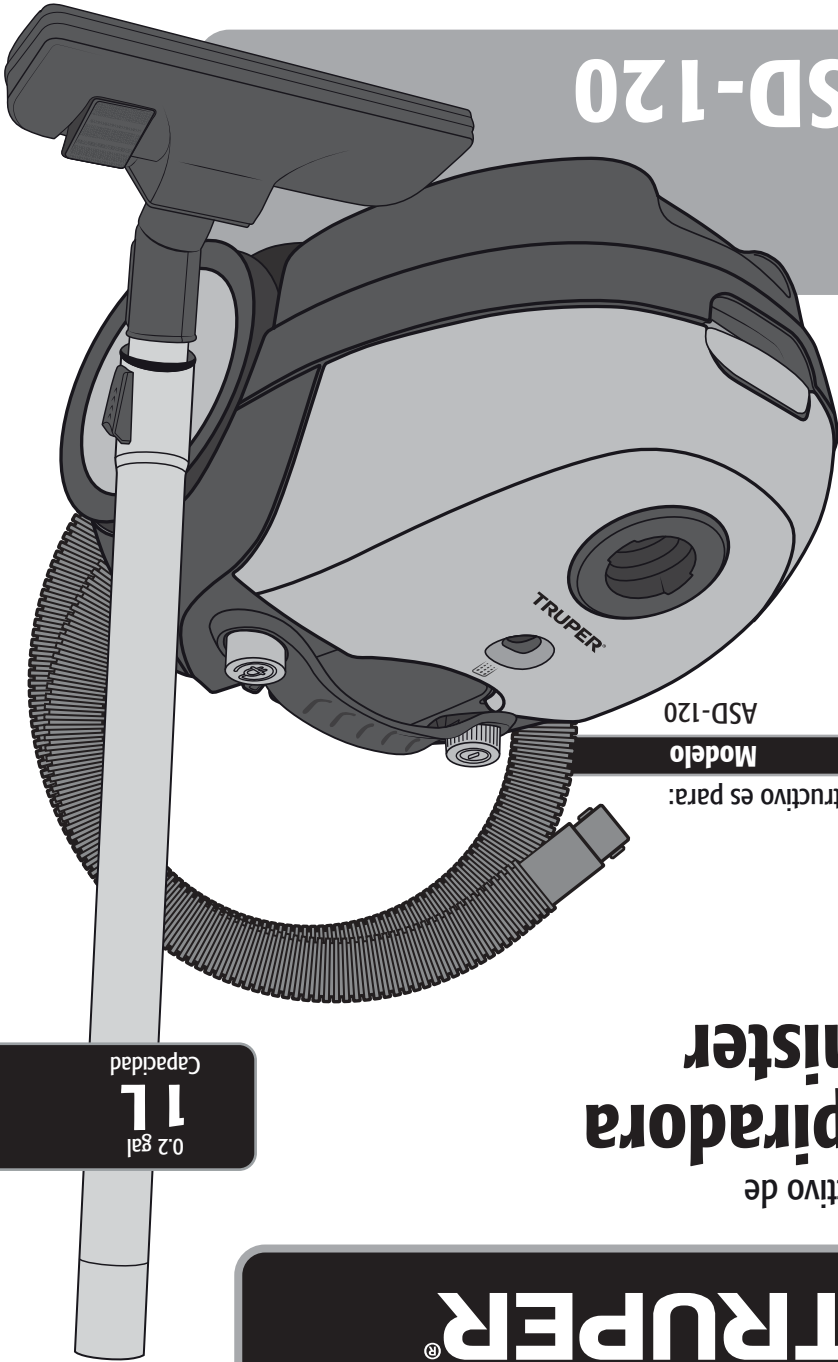
## Instrucciones de Aspiradora canister

Este instructivo es para:

Código 103159

Modelo ASD-120

# ASD-120



Capacidad  
1 L  
0.2 gal

**ATENCIÓN**



Lea este instructivo por completo antes de usar la herramienta.

