

ENGLISH
ESPAÑOL

TRUPER[®] INDUSTRIAL

Manual

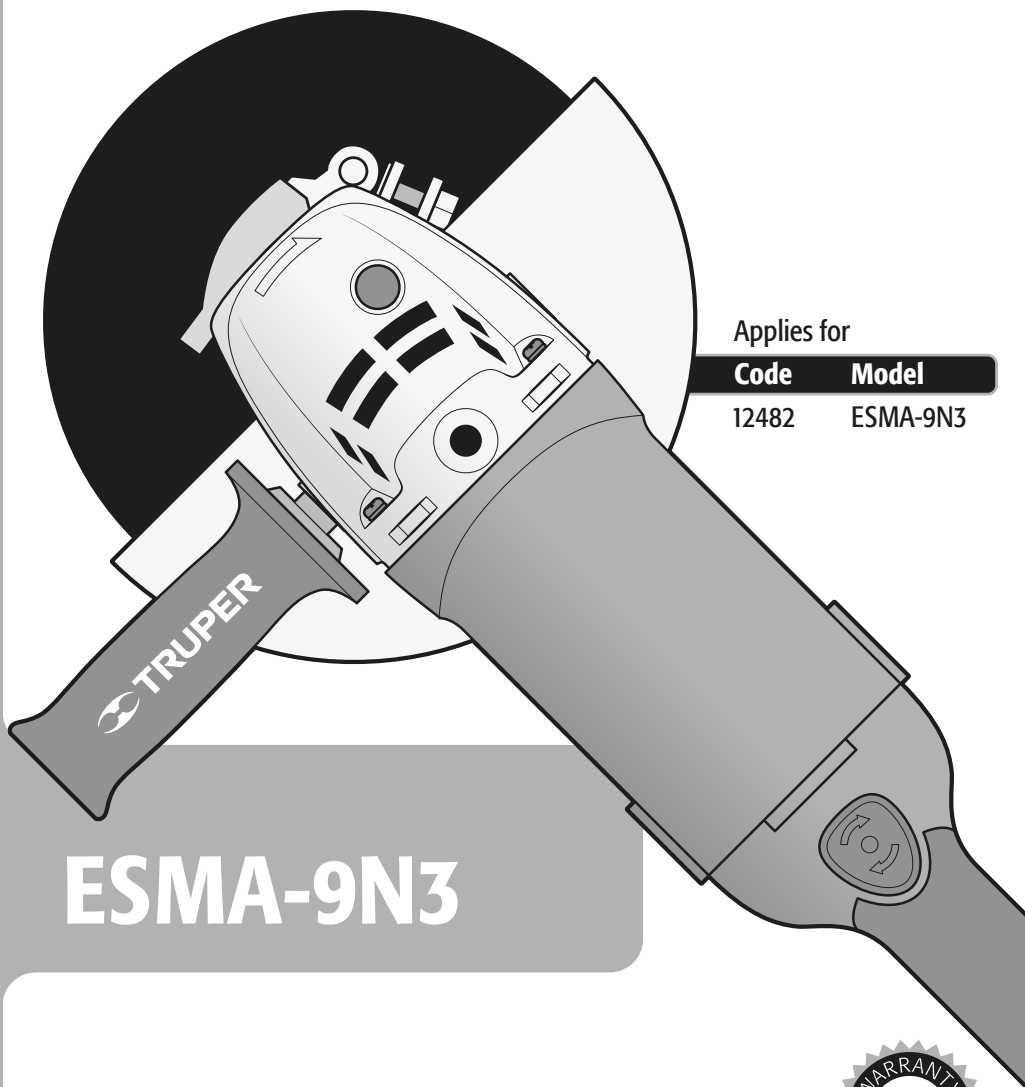
Angle grinder

2.8 Hp

Power

9"

Wheel



Applies for

Code

Model

12482

ESMA-9N3

ESMA-9N3

CAUTION



Read this manual thoroughly
before using the tool.



Technical Data	3
Power Requirements	3
 General power tool safety warnings	4
 Safety warnings for angle grinders	5
Parts	7
Preparation	7
Start Up	8
Maintenance	9
Notes	10
Authorized Service Centers	11
Warranty Policy	12

 WARNING

To gain the best performance of the tool, prolong the duty life, make the Warranty valid if necessary and to avoid hazards or fatal injuries please read and understand this Manual before using the tool.

Keep this manual for future references.


The illustrations in this manual are for reference only. They might be different from the real tool.


Use and care recommendations

 **TO EXTEND THE LIFE OF YOUR TOOL, CLEAN IT WITH COMPRESSED AIR AFTER EACH USE.**

 **FULFILL THE WORKING CYCLES**
50 min of work and 20 min of rest. Daily maximum 6 hours.



 **NEVER** use or pull the power cord to carry, lift, or disconnect the tool.

 **NEVER** press the lock button while the disc is running.




 Perform periodic **MAINTENANCE** to your machine (page 9).

ESMA-9N3

Code	•	12482
Description	•	Angle grinder
Wheel	•	9"
Voltage	•	127 V~
Frequency	•	60 Hz
Current	•	16 A
Power	•	2.8 Hp
Speed	•	6 200 RPM
		Screwed thread size • 5/8-11-UNC-1A
Duty cycle	•	50 minutes work and 20 minutes idle. Maximum 6 hours per day.
Conductors	•	14 AWG x 2C with insulating temperature of 221 °F
Insulation	•	Class II
		IP Grade • IP20

Power cord grips used in this product: Type "Y"
Build quality: Reinforced insulation
Thermal insulation on motor winding: Class E

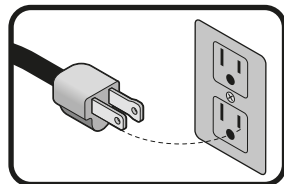
⚠ WARNING Avoid the risk of electric shock or severe injury. When the power cable gets damaged it should only be replaced by the manufacturer or at a  **TRUPER** Authorized Service Center. The build quality of the electric insulation is altered if spills or liquid gets into the tool while in use. Do not expose to rain, liquids and/or dampness.

⚠ WARNING Before gaining access to the terminals all power sources should be disconnected.



Power Requirements


⚠ WARNING Tools with double insulation and reinforced insulation are equipped with a polarized plug (one prong is wider than the other). This plug will only fit in the right way into a polarized outlet. If the plug cannot be introduced into the outlet, reverse the plug. If it still doesn't fit, call a qualified electrician to install for you a polarized outlet. Do not alter the plug in any way. Both insulation types eliminate the need of both a grounded third power cord with three prongs or a grounded power connection.



⚠ WARNING When using an extension cable, verify the gauge is enough for the power that your product needs. A lower gauge cable will cause voltage drop in the line, resulting in power loss and overheating. The following table shows the right size to use depending on cable's length and the ampere capability shown in the tool's nameplate. When in doubt use the next higher gauge.

Ampere Capacity	Number of Conductors	Extension gauge	
		from 5.9' to 49.2'	higher than 49.2'
from 0 A and up to 10 A	3 (one grounded)	18 AWG(*)	16 AWG
from 10 A and up to 13 A		16 AWG	14 AWG
from 13 A and up to 15 A		14 AWG	12 AWG
from 15 A and up to 20 A		8 AWG	6 AWG

* It is safe to use only if the extensions have a built-in artifact for over current protection.
AWG = American Wire Gauge. Reference: NMX-J-195-ANCE

⚠ WARNING When operating power tools outdoors, use a  **VOLTECK** grounded extension cable labeled "For Outdoors Use". These extensions are specially designed for operating outdoors and reduce the risk of electric shock.





General power tool safety warnings



⚠ WARNING! Read carefully all safety warnings and instructions listed below. Failure to comply with any of these warnings may result in electric shock, fire and / or severe damage. **Save all warnings and instructions for future references.**

Work area

Keep your work area clean, and well lit.

Cluttered and dark areas may cause accidents.



Never use the tool in explosive atmospheres, such as in the presence of flammable liquids, gases or dust.

Sparks generated by power tools may ignite the flammable material.



Keep children and bystanders at a safe distance while operating the tool.

Distractions may cause losing control.



Electrical Safety

The tool plug must match the power outlet. Never modify the plug in any way. Do not use any adapter plugs with grounded power tools.

Modified plugs and different power outlets increase the risk of electric shock.



Avoid direct contact with grounded surfaces, such as pipes, radiators, electric ranges and refrigerators.

The risk of electric shock increases if your body is grounded.

Do not expose the tool to rain or wet conditions.

Water entering into the tool increases the risk of electric shock.

Do not force the cord. Never use the cord to carry, lift or unplug the tool. Keep the cord away from heat, oil, sharp edges or moving parts.

Damaged or entangled cords increase the risk of electric shock.

When operating a tool outdoors, use an extension cord suitable for outdoor use.

Using an adequate outdoor extension cord reduces the risk of electric shock.

If operating the tool in a damp location cannot be avoided, use a ground fault circuit interrupter (GFCI) protected supply.

Using a GFCI reduces the risk of electric shock.

Personal safety

Stay alert, watch what you are doing and use common sense when operating a tool. Do not use a power tool while you are tired or under the influence of drugs, alcohol or medication.

A moment of distraction while operating the tool may result in personal injury.

Use personal protective equipment. Always wear eye protection.

Protective equipment such as safety glasses, anti-dust mask, non-skid shoes, hard hats and hearing protection used in the right conditions significantly reduce personal injury.



Prevent unintentional starting up. Ensure the switch is in the "OFF" position before connecting into the power source and / or battery as well as when carrying the tool.

Transporting power tools with the finger on the switch or connecting power tools with the switch in the "ON" position may cause accidents.

Remove any wrench or vice before turning the power tool on.

Wrenches or vices left attached to rotating parts of the tool may result in personal injury.

Do not overreach. Keep proper footing and balance at all times.

This enables a better control on the tool during unexpected situations.

Dress properly. Do not wear loose clothing or jewelry. Keep hair, clothes and gloves away from the moving parts.

Loose clothes or long hair may get caught in moving parts.



If you have dust extraction and recollection devices connected onto the tool, inspect their connections and use them correctly.
Using these devices reduce dust-related risks.

Power Tools Use and Care

Do not force the tool. Use the adequate tool for your application.



The correct tool delivers a better and safer job at the rate for which it was designed.

Do not use the tool if the switch is not working properly.

Any power tool that cannot be turned ON or OFF is dangerous and should be repaired before operating.

Disconnect the tool from the power source and / or battery before making any adjustments, changing accessories or storing.

These measures reduce the risk of accidentally starting the tool.

Store tools out of the reach of children. Do not allow persons that are not familiar with the tool or its instructions to operate the tool.



Power tools are dangerous in the hands of untrained users.

Service the tool. Check the mobile parts are not misaligned or stuck. There should not be broken parts or other conditions that may affect its operation. Repair any damage before using the tool.



Most accidents are caused due to poor maintenance to the tools.

Keep the cutting accessories sharp and clean.

Cutting accessories in good working conditions are less likely to bind and are easier to control.

Use the tool, components and accessories in accordance with these instructions and the projected way to use it for the type of tool when in adequate working conditions.

Using the tool for applications different from those it was designed for, could result in a hazardous situation.

Service

Repair the tool in a TRUPER Authorized Service Center using only identical spare parts.

This will ensure that the safety of the power tool is maintained.



This tool is in compliance with
the Official Mexican Standard
(NOM - Norma Oficial Mexicana).

Safety warnings for angle grinders

This power tool is intended to function as a cutting tool. Read all safety warnings, instructions and specifications provided. Failure to follow the instructions outlined below may result in electric shock, fire and/or serious injury.

TRUPER[®]
INDUSTRIAL

Select the right disc

⚠ CAUTION • Never use discs with bigger diameter than the size required in the tool.

⚠ WARNING • Use only discs or accessories more than 6 200 RPM speeds.

The rated speed of the accessory must be at least equal to the maximum speed marked on the tool. Accessories running faster than their rated speed may break and become detached.

⚠ CAUTION • Use only discs or accessories with an orifice that fits perfectly in the tool spindle.

⚠ CAUTION • Use only discs or accessories specifically designed for the chosen material.

Before operating the grinder

• Set apart some time and assess the job you are about to do. Pay attention to all the necessary cautions before starting to grind.

⚠ DANGER • Remove all the fastening wrenches from the tool. Otherwise they can shoot away causing severe injuries to the user.

⚠ WARNING • Double-check the guard. It should be perfectly fastened and in good working condition. Do not use the tool without a guard. Fragments of workpieces or a broken accessory can break off and cause damage beyond the immediate area of operation.

⚠ CAUTION • Double-check the disc. It should not be broken or cracked. Tap the disc gently with a wooden hammer and listen for a strange sound to learn if it is cracked.

⚠ DANGER • Before plugging the tool, see if it is in the OFF position. Otherwise the tool could start unexpectedly causing severe injuries.

⚠ CAUTION • Run the tool 30 seconds before using, to detect important vibration or any type of unusual movement. If detected, unplug the tool and take it to a

 TRUPER[®] Authorized Service Center.

⚠ CAUTION • See if the disc rotates freely.
• Do not tighten the disc. It could break.

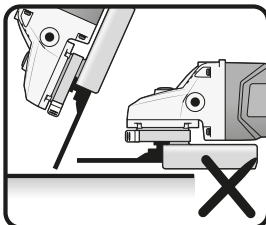
⚠ WARNING • To work with small work pieces fasten with wrenches. Never use your hands to hold the piece.

⚠ DANGER Do not place saw discs for wood or a serrated blade. Such blades create frequent kickbacks and loss of control.

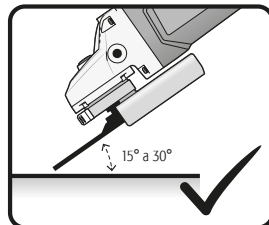
Keep present people at a safe distance from the work area. Anyone entering the work area should wear personal protective equipment.

Operations for which this power tool is not designed may result in an accident and cause personal injury. It is not recommended to use this power tool in operations such as sanding, brushing or polishing

Do not use accessories that are not specifically designed and recommended by the manufacturer.



Wrong way to operate the grinder




Right way to operate the grinder

The outer diameter and thickness of the accessories must be within the assigned capacity. Incorrectly sized accessories cannot be properly protected or controlled. For best results use 9" (225 mm) cutting discs with 1 mm - 6.4 mm thickness

While operating the grinder

⚠ CAUTION • Do not start the tool when the disc is touching the work piece.

⚠ WARNING • Wear safety glasses, gloves and an apron when using the tool. 

⚠ WARNING • Keep the power cable or extension in the back of the tool. Avoid accidentally damaging the cables with the disc.

• If control of the power tool is lost, the cable may be cut or tangled and the operator's arm or hand may be pulled toward the rotary attachment.

⚠ WARNING • Never hold the tool by the power cable. Hold by the housing or auxiliary handle.

⚠ CAUTION • Hold the tool by the isolated parts. The cutting tool could come into contact with hidden wiring or its own cable. Making contact with a "live" wire causes the metal parts to electrify and give an electric shock to the user.

• Never let go of the power tool until the attachment comes to a complete stop.

• Never hit the work surface with the disc.

⚠ CAUTION • To get the best result with the grinding process, the inclination of the disc and the working surface should have an angle measuring 15° to 30°

⚠ DANGER • When the disc is rotating never use the spindle lock to stop it. It is very dangerous and may cause injuries to the user.

⚠ CAUTION • Do not touch the disc or the working piece after grinding. Wait for them to cool down. Never try to cool them down using water or oil.

⚠ WARNING • Before checking, adjusting or changing discs, double-check the tool is not plugged in.
• Do not use the power tool near flammable materials.
• Do not operate the tool while it is being transported to your side.

⚠ DANGER • Sparks caused when grinding may be dangerous. Use caution. Make sure sparks do not get into contact with skin or flammable substances.

• Gradually clean the tool's vents. The motor fan directs dust into the housing and excessive accumulation of metal dust can cause an electrical hazard.

• Do not use accessories that require liquid refrigerants. The use of water or other liquid refrigerants can result in an electric shock.

⚠ DANGER KICKBACK (Sharp Recoil)

Kickback (sharp recoil) is a sudden reaction when a rotating wheel, backrest, brush, or other accessory gets stuck or snagged. Stalling or snagging causes rapid stalling of the rotary attachment which in turn causes the power tool to be forced uncontrollably in the direction opposite to the rotation of the attachment at the working point.

An abrasive disc jams into the workpiece, the edge of the contacting disc can be pinched into the surface of the material causing the disc to stop, creating a kickback (sudden recoil). The disc may break and the fragments may jump in the direction of or away from the operator, depending on the direction of disc movement at the point of jamming.

Kickback can occur as a result of misuse of power tools and/or improper operating procedures or conditions and can be avoided by taking the precautions listed below:

a) Keep a firm grip on the power tool. Maintain your body and arm so that they can resist the forces of kickback. Always use the auxiliary handle, if provided, for maximum control over kickback or the reaction of the torsional movement of the engine during starting. The operator can control the torsional movement and the kickback forces if the appropriate precautions are taken;

b) Never place your hand near the rotating attachment.

The accessories may kick back in your hand;

c) Do not place your body in the area where the power tool can move if kickback (sudden recoil) occurs. This will propel the power tool in the opposite direction of disc movement at the point of engagement or binding;

d) Take special care when working on corners, sharp edges, among others. Avoid bouncing and jamming of the attachment.

When working corners, sharp edges, or bouncing, can cause the attachment to jam and result in loss of control of the power tool or kickback (sudden recoil) of the power tool.

⚠ WARNING Specific safety for grinding and cutting operations with abrasives

a) Use only disc types that are recommended for the specific power tool and the specific tool holder that is designed for the selected disc.

Discs that are not designed for the power tool cannot be properly protected and are unsafe;

b) The grinding surface of discs with a sunken center must be installed below the plane of the guard.

An improperly installed disc may project burrs outside the plane of the guard and cannot be properly protected;

c) The guard must be securely fastened to the power tool and positioned to provide maximum safety, so that the least amount of the blade is exposed to the operator.

d) Discs should be used only for their recommended applications. For example: do not grind with the side of a cut-off wheel.

Abrasive discs are used for perfect grinding. If lateral forces are applied, they can break;

e) Always use flanges in perfect condition, of the correct size according to the shape of the selected disk.

A flange with the correct characteristics supports the disc, which reduces the possibility of disc rupture. The flanges for cut-off wheels can be different from the flanges for grinding wheels;

f) Do not use worn out disks from larger or higher capacity tools

Disks that are designed for larger or higher capacity tools are not suitable for the increased speed that occurs in the operation of a smaller size or capacity tool and may defragment.

⚠ WARNING Additional safety warnings for abrasive cutting operations

a) Avoid locking or applying excessive pressure to the abrasive cut-off wheel. Do not attempt to make an excessively deep cut.

Applying excessive force to the disc increases the load on the power tool and the susceptibility to deformation in the cutting area and increases the possibility of kickback (sudden recoil) or blade breakage;

b) Do not place your body in line and behind the rotating disc.

When the disc, at the point of operation, is aligned with your body, the possibility of a kickback (sudden recoil) can propel the spinning disc and the power tool directly against you;

c) When disc operation is interrupted or cutting stops for any reason, turn off the power tool and keep it stationary until the disc comes to a complete stop. Do not attempt to remove the blade while it is in motion, as this may cause kickback (sudden recoil) or similar effect.

Investigate and complete corrective actions to eliminate the cause of the spin interruption;

d) Do not restart the cutting operation on the workpiece. Allow the blade to reach maximum speed off the workpiece and carefully restart cutting.

The abrasive cut-off disc can jam, move upwards or produce a kickback if cutting is restarted on the workpiece;

e) Support large workpieces on presses or clamping brackets to reduce the risk of the abrasive cut-off disc becoming trapped or of kickback (sudden recoil).

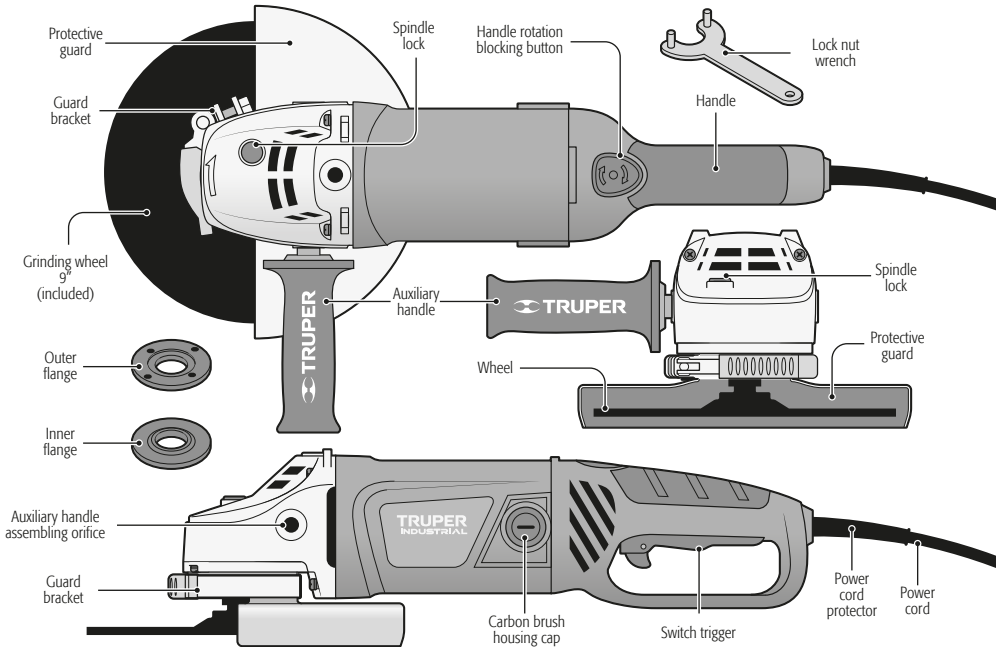
Large pieces tend to sink under their own weight. Brackets should be placed under the workpiece near the cutting line and near the edge of the workpiece on both sides of the abrasive cut-off wheel;

f) Be careful when making a "very small cut" in walls or other blind areas or where there is no visibility of internal components.

The protruding abrasive cutting disc can cut through gas or water pipes, electrical wiring, or objects that may cause kickback (sudden recoil).

Parts

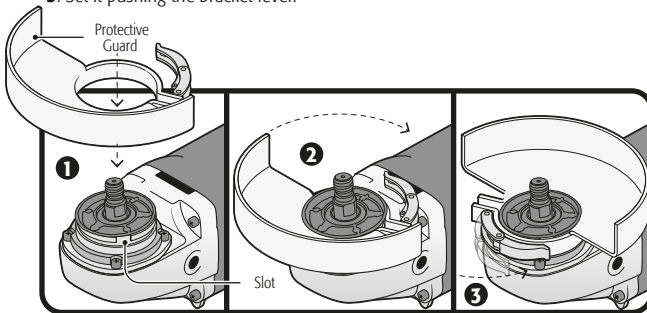
TRUPER[®]
INDUSTRIAL



Preparation

Protection Guard Assembly

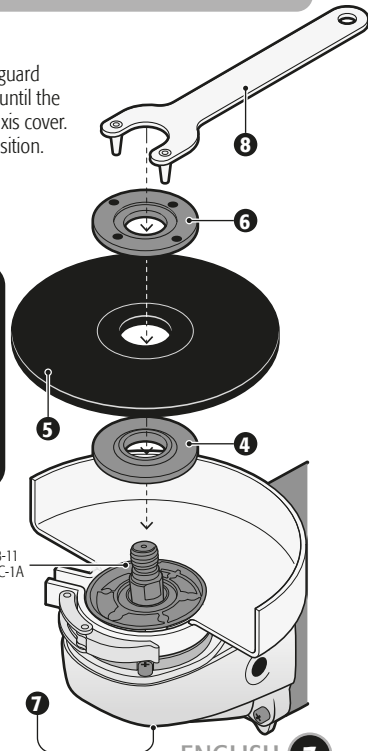
1. Open the clamp lever and match both cantilevered parts inside the protection guard bracket with the matching slots in the axis cover. Push the protective guard down until the protruding parts engage and rotate freely with the corresponding grooves in the axis cover.
2. With the clamp lever open, turn the protective guard to the desired working position.
3. Set it pushing the bracket lever.



Disc Assembly

4. Fit the inner flange onto the spindle.
5. Set the disc onto the inner flange.
6. Set the outer flange onto the spindle.
7. Press the spindle lock into the grinder head.
8. Screw the outer flange with the lock nut wrench until securely fastened.

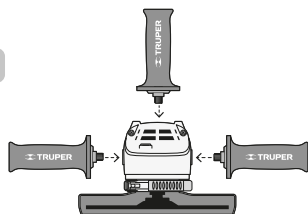
⚠ DANGER The spindle lock should only be used to change discs. Never use it to stop the disc while rotating.



ENGLISH **7**

Auxiliary handle assembly

- For a safer operation use the auxiliary handle. Fit it into any of the three mounting orifices. Choose the one that make your job easier.



Start Up

The Angle Grinder is a power tool. It is used to grind and cut steel, pipes, and angles in iron, bricks, tiles, stone and/or ceramic pieces. Also to remove burr from metal surfaces, to level and smoothing out soldering. When changing the tool accessory it can be used to clean rust and to buff metal surfaces and other materials.

Turning On

- Intermittent operation:

Connect the plug into the power outlet.

Press switch **(A)** to start the tool.

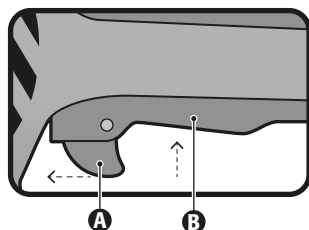
To stop, just release the switch.

- Continuous operation:

Connect the plug into the power outlet.

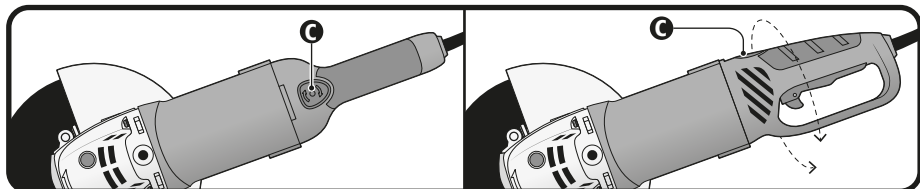
Press switch **(A)** and block it pressing the continuous use button **(B)**.

To stop, press and then release the switch.



Handle rotation

- Regarding the job, the angle grinder handle can be rotated to operate the tool more comfortably. Press the handle rotation-blocking button **(C)**. Turn into the desired position until a "click sound is heard".



How to properly hold the tool

Always use the tool with both hands. One hand holds the handle and the other hand on the auxiliary handle. Be careful not to obstruct the ventilation slots.

- Grinding:

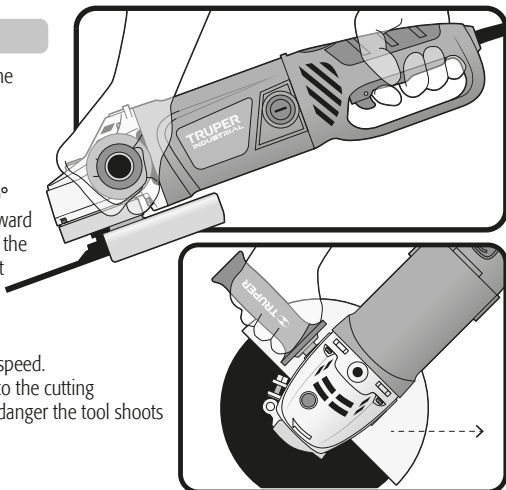
For better results hold the tool at an angle of 15° to 30° with regards to the work piece. Move backward and forward with a constant rhythm and a slight pressure. This way the work piece will not get too hot, will not fade and will not have rough edges.

- Cutting:

Do not press, tilt or oscillate the tool. Use a moderate speed.

The disc should always rotate in a movement opposite to the cutting movement. Never do it the other way around. There is danger the tool shoots out of control.

For cutting stone we recommend using a diamond disc.



Useful Tips

- To prevent damaging the disc work using the disc into the right position.
- Press onto the work piece using less force than the tool's weight to avoid overload and damaging the motor and disc.
- After installing a new disc allow the disc to rotate at least during one minute without working on the piece. If it vibrates, replace it immediately.

⚠ CAUTION • Avoid working onto wood or soft materials like lead. These materials saturate the disc very fast and make it unusable.

Maintenance

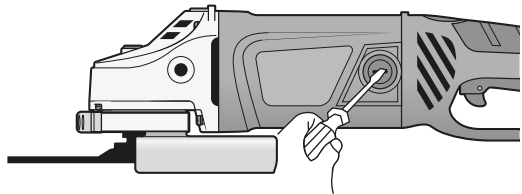
- Before cleaning the tool verify it is unplugged.
- Never use water or other liquids. Use only a brush.
- To avoid overheating of the motor, clean the ventilation slots regularly.
- Double-check all the tool components are securely fastened.
- The housing should not be cracked or damaged.
- After a prolonged use the grease on the tool head should be replaced in a **TRUPER** Authorized Service Center.

Repairs

- Use only spare parts and accessories recommended by the manufacturer. In case the tool is not working, repairs should be done in a **TRUPER** Authorized Service Center.

Carbon Brush Replacement

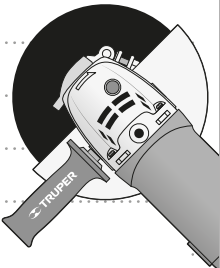
- Replace worn (burnt, broken or smaller than 0.19" long) carbon brushes. Use new carbons.
- When changing carbons always change both carbons at the same time.
- Use a screwdriver to remove the lid from the carbon brushes.
- Remove worn carbons from the housing. Clean dust with compressed air.
- Set the new carbons in a reverse order. Carbons shall easily fall into the carbon housing.
- After setting up new carbon brushes let the grinder running a couple of minutes with no load. This way the carbon brushes will adjust better.
- Use only original **TRUPER** spare carbon brushes, designed specifically with the right hardness and electric resistance for each type of motor. Carbon brushes with different specifications may damage the motor.
- For better results, it is recommended to use grinding and/or cutting disc to 9" **TRUPER expert**



Storage

Neatly store the tool in a dry place and protected from dust and water .

A series of horizontal dotted lines for writing notes, spanning most of the page width.



In the event of any problem contacting a Truper Authorized Service Center, please see our webpage www.truper.com to get an updated list, or call our toll-free numbers **800 690-6990** or **800-018-7873** to get information about the nearest Service Center.

- AGUASCALIENTES** **DE TODO PARA LA CONSTRUCCIÓN**
GRAL. BARRAGÁN #1201, COL. GREMIAL, C.P. 20030,
AGUASCALIENTES, AGS. TEL.: 449 994 0537
- BAJA CALIFORNIA** **SUCURSAL TIJUANA**
AV. LA ENCANADA, LOTE #5, PARQUE INDUSTRIAL EL
FLORIDO II, C.P. 22244, TIJUANA, B.C.
TEL.: 664 969 5100
- BAJA CALIFORNIA SUR** **FIX FERRETERÍAS**
FELIPE ÁNGELES ESQ. RUIZ CORTÍNEZ S/N, COL. PUEBLO
NUEVO, C.P. 23670, CD. CONSTITUCIÓN, B.C.S.
TEL.: 615 132 1115
- CAMPECHE** **TORNILLERÍA Y FERRETERÍA AAA**
AV. ÁLVARO OBREGÓN #324, COL. ESPERANZA
C.P. 24080 CAMPECHE, CAMP. TEL.: 981 815 2808
- CHIAPAS** **FIX FERRETERÍAS**
AV. CENTRAL SUR #27, COL. CENTRO, C.P. 30700,
TAPACHULA, CHIS. TEL.: 962 118 4083
- CHIHUAHUA** **SUCURSAL CHIHUAHUA**
AV. SILVESTRE TERRAZAS #128-11, PARQUE INDUSTRIAL
BAFAR, CARRETERA MÉXICO CUAUHTÉMOC, C.P. 31415,
CHIHUAHUA, CHIH. TEL. 614 434 0052
- CIUDAD DE MÉXICO** **FIX FERRETERÍAS**
EL MONSTRUO DE CORREGIDORA, CORREGIDORA # 55,
COL. CENTRO, C.P. 06060, CUAUHTÉMOC, CDMX.
TEL.: 55 5522 5051 / 5522 4861
- COAHUILA** **SUCURSAL TORREÓN**
CALLE METAL MECÁNICA #280, PARQUE INDUSTRIAL
ORIENTE, C.P. 27278, TORREÓN, COAH.
TEL.: 871 209 68 23
- COLIMA** **BOMBAS Y MOTORES BYMTESA DE MANZANILLO**
BLVD. MIGUEL DE LA MADRID #190, COL. 16 DE
SEPTIEMBRE, C.P. 28259, MANZANILLO, COL.
TEL.: 314 352 1986 / 352 8013
- DURANGO** **TORNILLOS ÁGUILA, S.A. DE C.V.**
MAZURIO #200, COL. LUIS ECHEVERRÍA, DURANGO,
DGO. TEL.: 818 817 1946 / 618 818 2844
- ESTADO DE MÉXICO** **SUCURSAL CENTRO JILOTEPEC**
PARQUE INDUSTRIAL # 1, COL. PARQUE INDUSTRIAL
JILOTEPEC, JILOTEPEC, EDO. DE MÉX. C.P. 54257
TEL.: 761 782 9101 EXT. 5728 Y 5102
- GUANAJUATO** **ÍA. FERRETERA NUEVO MUNDO S.A. DE C.V.**
AV. MÉXICO - JAPÓN #225, CD. INDUSTRIAL, C.P. 38010,
CELAYA, GTO. TEL.: 461 617 7578 / 79 / 80 / 88
- GUERRERO** **CENTRO DE SERVICIO ECLIPSE**
CALLE PRINCIPAL MZA LT. 1, COL. SANTA FE, C.P. 39010,
CHILPANCIINGO, GRO. TEL.: 747 478 5793
- HIDALGO** **FERPRECIOS S.A. DE C.V.**
LIBERTAD ORIENTE #304 LOCAL 30, INTERIOR DE PASAJE
ROBLEDO, COL. CENTRO, C.P. 43600, TULANCINGO,
HGO. TEL.: 775 753 6615 / 775 753 6616
- JALISCO** **SUCURSAL GUADALAJARA**
AV. ADOLFO B. HORN # 6800, COL: SANTA CRUZ DEL
VALLE, CP: 45655, TLAJOMULCO DE ZUÑIGA, JAL.
TEL.: 33 3606 5285 AL 90
- MICHOACÁN** **FIX FERRETERÍAS**
AV. PASEO DE LA REPÚBLICA #3140-A, COL.
EX-HACIENDA DE LA HUERTA, C.P. 58050, MORELIA,
MICH. TEL.: 443 334 6858
- MORELOS** **FIX FERRETERÍAS**
CAPITÁN ANZURES #95, ESQ. JOSÉ PERDIZ, COL.
CENTRO, C.P. 62740, CUAUTLA, MOR.
TEL.: 735 352 8931
- NAVARRIT** **HERRAMIENTAS DE TEPEC**
MAZATLAN #117, COL. CENTRO, C.P. 63000, TEPEC, NAY.
TEL.: 311 258 0540
- NUEVO LEÓN** **SUCURSAL MONTERREY**
CARRETERA LAREDO #500, 1B MONTERREY PARKS,
COLONIA PUERTA DE ANAHUAC, C.P. 66052, ESCOBEDO,
NUEVO LEÓN, TEL.: 81 8352 8791 / 81 8352 8790
- OAXACA** **FIX FERRETERÍAS**
AV. 20 DE NOVIEMBRE #910, COL. CENTRO, C.P. 68300,
TUXTEPEC, OAX. TEL.: 287 106 3092
- PUEBLA** **SUCURSAL PUEBLA**
AV. PERIFÉRICO #2-A, SAN LORENZO ALMECATLA,
C.P. 72710, CUAUHTLACINGO, PUE.
TEL.: 222 282 8282 / 84 / 85 / 86
- QUERÉTARO** **ARU HERRAMIENTAS S.A. DE C.V.**
AV. PUERTO DE VERACRUZ #110, COL. RANCHO DE
ENMEDIO, C.P. 76842, SAN JUAN DEL RÍO, QRO.
TEL.: 427 268 4544
- QUINTANA ROO** **FIX FERRETERÍAS**
CARRETERA FEDERAL MZ. 46 LT. 3 LOCAL 2, COL. EJIDAL,
C.P. 77710 PLAYA DEL CARMEN, Q.R.
TEL.: 984 267 3140
- SAN LUIS POTOSÍ** **FIX FERRETERÍAS**
AV. UNIVERSIDAD #1850, COL. EL PASEO, C.P. 78320,
SAN LUIS POTOSÍ, S.L.P. TEL.: 444 822 4341
- SINALOA** **SUCURSAL CULIACÁN**
AV. JESÚS KUIMATE SUR #4501, COL. HACIENDA DE LA
MORA, C.P. 80143, CULIACÁN, SIN.
TEL.: 667 173 9139 / 173 8400
- SONORA** **FIX FERRETERÍAS**
CALLE 5 DE FEBRERO #517, SUR LT. 25 MZ. 10, COL.
CENTRO, C.P. 85000, CD. OBREGÓN, SON.
TEL.: 644 413 2392
- TABASCO** **SUCURSAL VILLAHERMOSA**
CALLE HELIO LOTES 1, 2 Y 3 MZ. #1, COL. INDUSTRIAL,
2A ETAPA, C.P. 86010, VILLAHERMOSA, TAB.
TEL.: 993 355 7244
- TAMAULIPAS** **VM ORINGS Y REFACCIONES**
CALLE ROSITA #527 ENTRE 20 DE NOVIEMBRE Y GRAL.
RODRÍGUEZ, FRACC. REYNOSA, C.P. 88780, REYNOSA,
TAMS. TEL.: 899 926 7552
- TLAXCALA** **SERVICIOS Y HERRAMIENTAS INDUSTRIALES**
PABLO SIDAR #132, COL. BARRIO DE SAN BARTOLOMÉ,
C.P. 90970, SAN PABLO DEL MONTE, TLAX.
TEL.: 222 271 7502
- VERACRUZ** **LA CASA DISTRIBUIDORA TRUPER**
BLVD. PRIMAVERA, ESQ. HORTENSIA S/N, COL.
PRIMAVERA, C.P. 93308, POZA RICA, VER.
TEL.: 782 823 8100 / 826 8484
- YUCATÁN** **SUCURSAL MÉRIDA**
CALLE 33 #600 Y 602, LOCALIDAD ITZINCAB Y MULSAY,
MPIO. UMAN, C.P. 97390, MÉRIDA, YUC.
TEL.: 999 912 2451

Code	Model	Brand
12482	ESMA-9N3	TRUPER® INDUSTRIAL

Warranty. Duration: 5 year. Coverage: parts, components and workmanship against manufacturing or operating defects, except if used under conditions other than normal; when it was not operated in accordance with the instructive; was altered or repaired by personnel not authorized by **Truper®**. To make the warranty valid, only present the product in the establishment where you bought it or in Corregidora 35, Centro, Cuauhtémoc, CDMX, 06060, where you can also purchase parts, components, consumables and accessories. The costs of transportation of the product that derive from its fulfillment of its service network are included. **Truper will not require any proof of purchase to make the warranty effective.** Phone number 800-018-7873. Made in China. Imported by Truper, S.A. de C.V. Parque Industrial 1, Parque Industrial Jilotepec, Jilotepec, Edo. de Méx. C.P. 54257, Phone number 761 782 9100.

Stamp of the business. Delivery date:





Sello del establecimiento comercial. Fecha de entrega:

Garantía. Duración: 5 años. Cobertura: piezas, componentes y mano de obra contra defectos de fabricación o funcionamiento, excepto si se usó en condiciones distintas a las normales; cuando no fue operado conforme a las instrucciones; fue alterado o reparado por personal no autorizado por Truper®. Para hacer efectiva la garantía únicamente presente el producto en el establecimiento donde lo compró o en Corregidora 35, Centro, Cuauhtémoc, CDMX, 06060, donde también podrá adquirir partes, componentes, consumibles y accesorios. Incluye los gastos de transportación del producto que deriven de su cumplimiento de su red de servicio. **Truper no solicitará ningún tipo de comprobante de pago para hacer efectiva la garantía.** Tel. 800-018-7873. Made in/Hecho en China. Importador **Truper, S.A. de C.V.** Parque Industrial 1, Parque Industrial Jilotepec, Jilotepec, Edo. de Méx. C.P. 54257, Tel. 761 782 9100.

TRUPER
INDUSTRIAL

ESMA-9N3

12842

Marca

Modelo

Código

Póliza de
Garantía

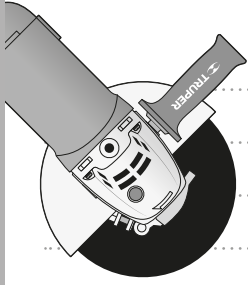
TRUPER
INDUSTRIAL

En caso de tener algún problema para contactar un Centro de Servicio Autorizado Truper® consulte nuestra página www.truper.com donde encontrará un listado actualizado, o llame al: 800 690 6990 u 800-018-7873 donde le informarán cuál es el Centro de Servicio más cercano.

Centros de Servicio Autorizados

TRUPER®
INDUSTRIAL

- AGUASCALIENTES**
SUCURSAL TIJUANA
 AV. LA ENCANTADA, LOTE #5, PARQUE INDUSTRIAL E FLORIDO II, C.P. 22244, TIJUANA, B.C.
 TEL: 664 969 5100
- BAJA CALIFORNIA SUR**
FIX FERRERÍAS
 FELIPE ÁNGELÉS ESQ. RUIZ CORTINEZ S/N, COL. PUEBLITO NUEVO, C.P. 25670, CD. CONSTITUCIÓN, B.C.S.
 TEL: 615 133 1115
- CAMPESHE**
TORNILLERÍA Y FERRERÍA AA
 AV. ALVARO OBREGÓN #524, COL. ESPERANZA C.P. 24080 CAMPESHE, CAMP. TEL: 981 815 2808
- CHIAPAS**
FIX FERRERÍAS
 AV. CENTRAL SUR #27, COL. CENTRO, C.P. 30700, TAPACHULA, CHI. TEL: 962 118 4085
- CHIHUAHUA**
SUCURSAL CHIHUAHUA
 AV. SILVESTRE TERREZAS #128-11, PARQUE INDUSTRIAL BARRA, CARRETERA MEXICO CUAHUATEMOC, C.P. 31415, CHIHUAHUA, CHIH. TEL: 614 454 0052
- Ciudad de México**
FIX FERRERÍAS
 EL MONSTRUO DE CORRERIDORA, CORRERIDORA # 35, COL. CENTRO, C.P. 06060 CUAHUATEMOC, CDMX.
 TEL: 55 5222 5031 / 5522 4861
- COAHUILA**
SUCURSAL TOREÓN
 CALLE METAL MECÁNICA #280, PARQUE INDUSTRIAL ORIENTE, C.P. 27276, TOREÓN, COAH.
 TEL: 871 209 68 52
- COLIMA**
BOMBAS Y MOTORES BYNTESA DE MANZANILLO
 BLD. MIGUEL DE LA MORA #190, COL. 16 DE SEPTIEMBRE, C.P. 28259, MANZANILLO, COL.
 TEL: 514 532 1966 / 532 8015
- DURANGO**
TORNILLAS AGUILA, S.A. DE C.V.
 MAZCO, COL. LUIS ECHEVERRÍA DURANGO, DGO. TEL: 618 817 1946 / 618 818 2844
- ESTADO DE MÉXICO**
SUCURSAL CENTRO HILITEPEC
 PARQUE INDUSTRIAL # 1, COL. PARQUE INDUSTRIAL HILITEPEC, HILITEPEC, EDO. DE MEX. C.P. 54257
 TEL: 617 782 9101 EXT. 5728 Y 5102
- GUANAJUATO**
CIA. FERRERÍA NUEVO MUNDO S.A. DE C.V.
 AV. MEXICO - JAPÓN #225, CD. INDUSTRIAL, C.P. 38010, CELAYA, GTO. TEL: 461 617 1578 / 79 / 80 / 88
- GUERRERO**
CENTRO DE SERVICIO ECLIPSE
 CALLE PRINCIPAL MZ. LT. 1, COL. SANTA FE, C.P. 39010, CHILPANCIÑO, GRO. TEL: 747 478 5795
- HIDALGO**
FERRERECIOS S.A. DE C.V.
 LIBERTAD ORIENTE #504 LOCAL 30, INTERIOR DE PASAJES ROBLEDO, COL. CENTRO, C.P. 45600, TULANCIÑO, HGO. TEL: 775 755 6615 / 775 755 6616
- JALISCO**
SUCURSAL GUADALAJARA
 AV. ADOLFO B. HORN # 6800, COL. SANTA CRUZ DEL VALLE, C.P.: 45655, TULANCIÑO DE ZUNIGA, JAL.
 TEL: 35 5606 5285 AL 90
- MICHOACÁN**
FIX FERRERÍAS
 AV. PASO DE LA REPÚBLICA #3140-A, COL. EXHACIENDA DE LA HUERTA, C.P. 58050, MORELIA, MICH. TEL: 445 534 6858
- MORELOS**
FIX FERRERÍAS
 CAPITÁN ANZURES #95, ESQ. JOSÉ PERDIZ, COL. CENTRO, C.P. 62740, CUAUTLA, MOR.
 TEL: 755 552 8951
- NAVARRA**
HERRAMIENTAS DE TEPIC
 MAZILAN #117, COL. CENTRO, C.P. 65000, TEPIC, NAY.
 TEL: 311 258 0540
- NEWEO LEÓN**
SUCURSAL MONTREY
 CARRETERA LARGO DE ANHUAC, 18 MONTREY PARKS COLONIA PUERTA DE ANHUAC, C.P. 66052, ESCOBEDO, NUEVO LEÓN, TEL: 81 8552 8791 / 81 8552 8790
- OAXACA**
FIX FERRERÍA Y
 AV. 20 DE NOVIEMBRE #910, COL. CENTRO, C.P. 68300, TUXTEPEC, OAX. TEL: 287 106 5092
- PUEBLA**
SUCURSAL PUEBLA
 AV. PÉREZ FERRICO #2A, SAN LORENZO ALMECILLA, C.P. 72710, CUAHUATEMOC, PUE.
 TEL: 222 282 8282 / 84 / 85 / 86
- QUÉRTARO**
AAU HERRAMIENTAS S.A. DE C.V.
 AV. PUERTO DE VERACRUZ #110, COL. RANCHO DE ENMEDIO, C.P. 76842, SAN JUAN DEL RÍO, QRO.
 TEL: 427 268 4544
- QUINTANA ROO**
FIX FERRERÍAS
 CARRETERA FEDERAL MZ. 46 LT. 3 LOCAL 2, COL. EIDAL, C.P. 77710 PLAZA DEL CARMEN, Q.R.
 TEL: 984 267 5140
- SAN LUIS POTOSÍ**
FIX FERRERÍAS
 AV. UNIVERSIDAD #1850, COL. EL PASO, C.P. 78320, SAN LUIS POTOSÍ, S.L.P. TEL: 444 822 4541
- SINALOA**
SUCURSAL CUICUILÁN
 AV. JESÚS KUWIATE SUR #4501, COL. HACIENDA DE LA MORA, C.P. 80145, CUICUILÁN, SIN.
 TEL: 667 175 9159 / 175 8400
- SONORA**
FIX FERRERÍAS
 CALLE 5 DE FEBRERO #517, SUR LT. 25 MZ. 10, COL. CENTRO, C.P. 85000, CD. OBREGÓN, SON.
 TEL: 644 415 2592
- TABASCO**
SUCURSAL VILLAHERMOSA
 CALLE HELIO LOTES 1, 2 Y 3 MZ. #1, COL. INDUSTRIAL, ZA TIJAPA, C.P. 86010, VILLAHERMOSA, TAB.
 TEL: 993 555 2244
- TAMAULIPAS**
VM ORINGAS Y HERRACIONES
 CALLE ROSITA #527 ENTE 20 DE NOVIEMBRE Y GRAL. RODRÍGUEZ, FRACC. REYNOSA, C.P. 88780, REYNOSA, TAMS. TEL: 899 926 7552
- TLAXCALA**
SERVICIOS Y HERRAMIENTAS INDUSTRIALES
 PABLO SIDAR #152, COL. BARRIO DE SAN BARTOLOMÉ, C.P. 90970, SAN PABLO DEL MONTE, TLAX.
 TEL: 222 271 7502
- VERACRUZ**
LA CASA DISTRIBUIDORA TRUPER
 BLD. PROMINVERA, ESQ. POZA RICA, VER. PRIMAVERA, C.P. 93508, POZA RICA, VER.
 TEL: 282 825 8100 / 826 8484
- YUCATÁN**
SUCURSAL MÉRIDA
 CALLE 33 #600 Y 602, LOCALDAD TIZMINCAB Y MUISAY, MPIO. UMAN, C.P. 97390, MÉRIDA, YUC.
 TEL: 999 912 2451



A series of horizontal dotted lines for writing notes, spanning the width of the page.

Puesta en marcha

Consejos útiles

- Trabaje con el disco en la posición correcta para evitar que se dañe.
- Presione sobre la pieza de trabajo con una fuerza menor al peso de la herramienta para evitar que la sobrecarga dañe el motor y el disco.
- Después de instalar un disco nuevo permita que el disco gire sin trabajar al menos un minuto.
- Evite trabajar madera o metales suaves como el plomo. Pues estos materiales saturan muy rápido el disco y lo hacen inservible.

Mantenimiento

- Desconecte siempre la herramienta antes de proceder a limpiarla.
- Nunca utilice agua u otros líquidos, solamente utilice un cepillo.
- Para evitar que se sobrecaliente el motor, debe limpiar las ranuras de ventilación de manera regular.
- Revise que todos los componentes de la herramienta estén bien fijos.
- La carcasa no debe estar cuarteada o dañada.
- Siempre revise que el cable no esté cortado o pelado.
- Después de un uso prolongado la grasa de la cabeza de la herramienta debe

de ser cambiada en un Centro de Servicio Autorizado **TRUPER**.

Reparación

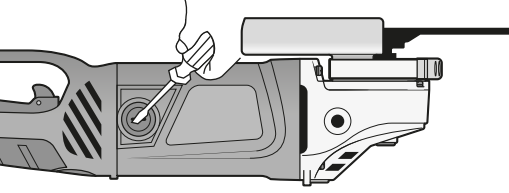
Utilice únicamente refacciones y accesorios recomendados por el fabricante. En caso de que la herramienta no funcione, la reparación deberá ser realizada por algún Centro de Servicio Autorizado **TRUPER**.

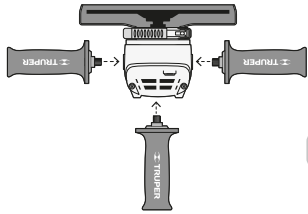
Cambio de carbonos

- Es necesario reemplazar los carbonos desgastados (quemados, rotos o de menos de 5 mm de largo), por carbonos nuevos.
- Cuando se haga el cambio de carbonos siempre deben cambiarse los dos carbonos.
- Utilice un destornillador para quitar la tapa de los carbonos.
- Retire los carbonos desgastados del portacarbonos y retire el polvo acumulado con aire comprimido.
- Coloque los carbonos nuevos invirtiéndolos al orden. Los carbonos deben caer en los portacarbonos fácilmente.
- Después de colocar los carbonos nuevos, permita que la esmerilladora funcione durante algunos minutos sin carga de trabajo para que los carbonos tengan un mejor ajuste.
- Solo se deben de usar carbonos de repuesto **TRUPER** originales, diseñados específicamente con la dureza y la resistencia eléctrica adecuada para cada tipo de motor. Los carbonos fuera de especificación pueden dañar el motor.
- Para mejores resultados, se recomienda utilizar discos de corte y/o desbaste de 9" (225 mm) marca **TRUPER expert**

Almacenamiento

Almacene la herramienta ordenadamente en un lugar seco y protegida de polvo y agua.





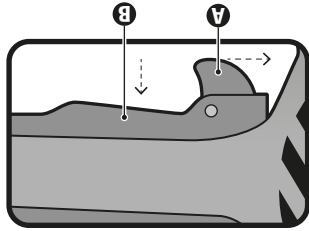
Montaje del mango auxiliar

⚠ PRECAUCIÓN Antes de realizar cualquier operación, asegúrese siempre de que el mango auxiliar esté instalado firmemente. Rosque el mango auxiliar en alguna de las tres posiciones según la preferencia del operario y la aplicación.

La esmeriladora angular es una herramienta eléctrica manual, se utiliza para esmerilar y cortar acero, tubos, hierro en ángulo, ladrillos, azulejos, piedra y/o piezas de cerámica; para quitar la rebaba de las superficies de metal, para nivelar y alisar soldaduras. Si se cambia el accesorio de la herramienta se puede utilizar para limpiar óxido y para pulir superficies de metal y otros materiales.

Encendido

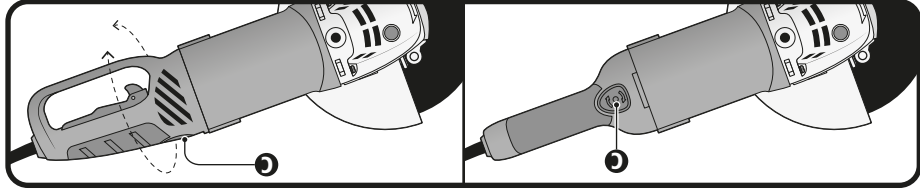
- Operación intermitente: Conecte la clavija al tomacorriente. Presione el interruptor (A) para hacer que la herramienta empiece a funcionar.
- Operación continua: Para interrumpir su uso, simplemente suelte el interruptor. Conecte la clavija al tomacorriente.



Para interrumpir su funcionamiento, presione y después suelte el interruptor. Presione el interruptor (A) y bloquéelo, apretando el seguro de uso continuo (B).

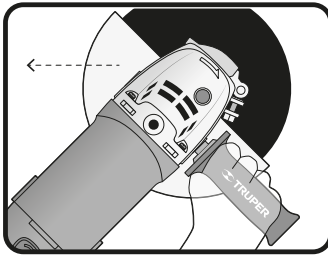
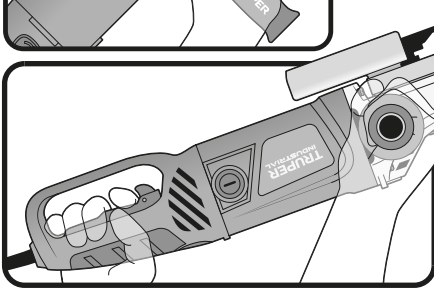
Rotación del mango

- El mango de la esmeriladora angular puede girar para poder operar con más comodidad dependiendo del trabajo a realizar.
- El mango de bloqueo de giro del mango (C) y gire el mango hacia la izquierda o derecha hasta que escuche un "click";



Cómo sujetar adecuadamente la herramienta

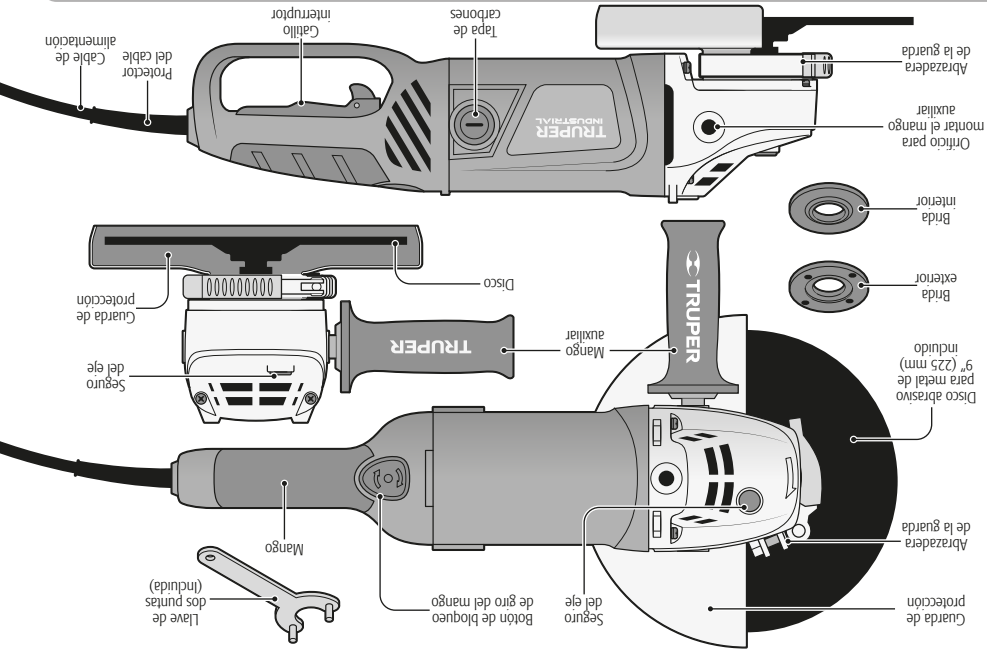
Siempre sostenga la herramienta con ambas manos. Una mano sosteniendo el mango y la otra el mango auxiliar. Tenga cuidado de no obstruir las ranuras de ventilación.



- Esmerilado: Para un mejor resultado sostenga la herramienta de 15° a 30° con respecto a la pieza de trabajo. Haga movimientos de adelante hacia atrás con una ligera presión a un ritmo constante. De esta forma la pieza de trabajo no se calienta demasiado, no se decolora y no se producen aristas.
- Corte: No presione, ledee u oscile la herramienta. Trabaje a una velocidad moderada. El disco debe girar siempre en sentido opuesto al movimiento de corte, nunca en el otro sentido, pues existe el riesgo de que la herramienta salga despedida sin control.

Para cortar piedras duras es recomendable usar un disco de corte de diamante.

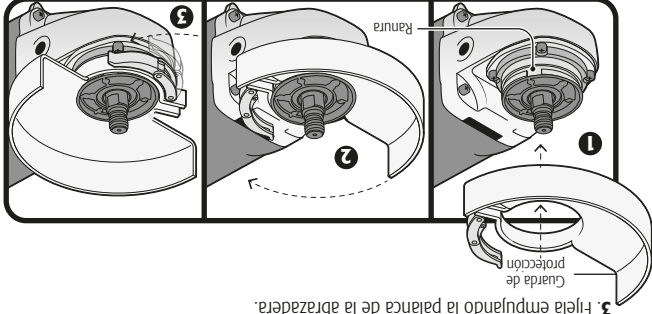
Partes



Montaje de la guarda de protección

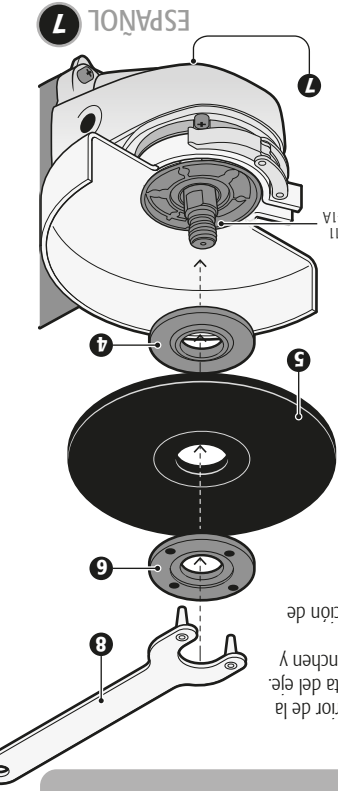
1. Abra la palanca de la abrazadera y haga coincidir las partes sobresalientes del interior de la abrazadera de la guarda de protección con las ranuras correspondientes de la cubierta del eje. Empuje la guarda de protección hacia abajo hasta que las partes sobresalientes encajen y giren libremente con las ranuras correspondientes de la cubierta del eje.
2. Con la palanca de la abrazadera abierta, gire la guarda de protección hasta la posición de trabajo deseada.
3. Fijela empujando la palanca de la abrazadera.

Montaje del disco



4. Fije la brida interior en el eje.
 5. Coloque el disco en la brida interior.
 6. Coloque la brida exterior en el eje.
 7. Presione el seguro del eje en la cabeza de la esmerilladora.
 8. Atornille la brida exterior con la llave de dos puntas hasta que quede bien fija.
- ⚠ PELIGRO** El seguro del eje sólo se debe de utilizar para cambiar los discos. Nunca para frenar el disco mientras esté girando.

UNC-1A
5/8-11



TRUPER[®]
INDUSTRIAL

Advertencias de seguridad para uso de esmeriladoras

(d) Los discos deben utilizarse sólo para sus aplicaciones recomendadas. Por ejemplo: no desbastar con el lado de un disco abrasivo de corte.

Los discos abrasivos se utilizan para un esmerinado periférico, si se aplican fuerzas laterales puede romperse.

Utilizar siempre en perfecto estado, de tamaño correcto de acuerdo con la forma del disco seleccionado.

Una brida con las características correctas soporta el disco. Las bridas para discos de corte pueden ser diferentes de las bridas para discos grandes o de mayor capacidad.

Los discos que se diseñan para herramientas más grandes o de mayor capacidad.

de mayor capacidad no son los idóneos para el incremento de velocidad que ocurre en la operación de una herramienta de capacidad o tamaño más pequeño y puede fragmentarse.

ADVERTENCIA Seguridad para operaciones de

(a) Evitar tratar o aplicar una presión excesiva al disco de corte abrasivo.

No intente hacer un corte excesivamente profundo.

Al aplicar una fuerza excesiva en el disco, se aumenta la carga en la herramienta eléctrica y susceptibilidad a la deformación en la zona del corte e incrementa la posibilidad de un accidente.

(b) No colocar su cuerpo en línea y detrás del disco giratorio.

Cuando el disco, en el punto de operación se alinea con su cuerpo, la posibilidad de un accidente (retroceso brusco) puede producirse al disco que gira y la herramienta eléctrica puede salirse de la mano.

(c) Cuando se interrumpen el funcionamiento del disco o se detiene el corte por cualquier motivo, apagar la herramienta eléctrica y mantenerla inmóvil hasta que el disco se enfríe por completo. No intente retirar el disco de corte mientras está en movimiento de lo contrario puede ocurrir un accidente (retroceso brusco) o efecto similar.

Investigue y tome las acciones correctivas para eliminar la causa de la interrupción del giro.

(d) No reiniciar la operación de corte en la pieza de trabajo. Permitir que el disco alcance la máxima velocidad fuera de la pieza y con precaución reiniciar el corte.

El disco de corte abrasivo puede atascarse, moverse hacia arriba o producir un accidente (retroceso brusco) si se reinicia el corte en la pieza de trabajo.

(e) Apoyar los dedos presas o soportes de sujeción las piezas de trabajo grandes para reducir el riesgo de aprisionamiento del disco de corte abrasivo o de un accidente (retroceso brusco).

Las piezas grandes tienden a hundirse bajo su propio peso. Deben colocarse soportes debajo de la pieza de trabajo cerca de la línea de corte y cerca del borde de la pieza de trabajo por ambos lados del disco de corte abrasivo.

(f) Tener cuidado cuando se realice un "corte muy pequeño" en paredes u otras áreas ciegas o donde no exista visibilidad de los componentes internos.

El disco abrasivo de corte que sobresale puede cortar tuberías de gas o agua, cableado eléctrico o de objetos que pueden causar un accidente (retroceso brusco).

PELIGRO

El retroceso brusco (retroceso brusco)

atascarse o engancharse una rueda giratoria, respaldillo o cualquier otro accesorio. El atascarse o engancharse causa un rápido estancamiento del accesorio giratorio que a su vez hace que la herramienta eléctrica se force de forma descontrolada en la dirección opuesta a la rotación del accesorio en el punto de trabajo.

Un disco abrasivo se atasca o engancha en la pieza de trabajo, el borde que hace contacto puede clavarse en la superficie del material proyectando que el disco se pare, creando un retroceso brusco (retroceso brusco). El disco puede romperse y los fragmentos pueden salir en la dirección o lejos del operador dependiendo de la dirección del movimiento del disco en el punto de atascamiento.

El retroceso brusco (retroceso brusco) puede ocurrir como resultado del mal uso de las herramientas eléctricas y/o procedimientos de operación incorrectos o condiciones no adecuadas y puede evitarse tomando las precauciones que en esencia se indican a continuación:

a) Mantener un agarre firme sobre la herramienta eléctrica, mantener su cuerpo y su brazo de modo que pueda resistir las fuerzas de retroceso brusco). Utilizar siempre el mango auxiliar, si se proporciona, para un máximo control sobre el control (retroceso brusco) o la reacción del momento torsional del motor durante el arranque.

El operador puede controlar el momento torsional y las fuerzas de retroceso brusco), si se toman las precauciones adecuadas.

b) Nunca colocar la mano cerca del accesorio giratorio. Los accesorios pueden controlarse en la mano.

c) No colocar su cuerpo en la zona donde la herramienta eléctrica puede moverse si ocurre un accidente (retroceso brusco).

Este impulso la herramienta eléctrica en dirección opuesta al movimiento del disco en el punto de enganche o atascamiento; tener un cuidado especial cuando se trabaje en esquinas, bordes afilados, entre otros. Evitar el rebote y el atascamiento del accesorio.

Al trabajar las esquinas, los bordes afilados o un rebote, pueden provocar que el accesorio se atasque y cause la pérdida de control de la herramienta eléctrica o un accidente (retroceso brusco) de la misma.

ADVERTENCIA

Seguridad específica para operaciones de esmerinado y de corte con abrasivos

a) Utilizar únicamente tipos de discos que se recomiendan para la herramienta eléctrica y la guarda específica que se diseña para el disco seleccionado.

Los discos que no se diseñan para la herramienta eléctrica pueden protegerse de manera idónea y son seguros.

(b) La superficie de esmerinado de los discos con centro hundido, deben instalarse por debajo del plano de la guarda.

Un disco mal instalado puede proyectar rebabas fuera del plano de la guarda.

La guarda y no puede protegerse de manera idónea; de la guarda y no puede protegerse de manera idónea;

(c) La guarda debe sujetarse firmemente a la herramienta eléctrica y posicionarse para proporcionar la máxima seguridad, para que la menor cantidad del disco esté expuesta hasta el operador.



Advertencias de seguridad para uso de esmeriladoras

Esta herramienta eléctrica está diseñada a funcionar como una herramienta de corte. Leer todas las advertencias de seguridad, instrucciones y especificaciones que se proporcionan. Si no se siguen las instrucciones señaladas a continuación puede provocar un choque eléctrico, incendios y/o lesiones graves.

Elija el disco apropiado

- ▲ **ATENCIÓN** • Nunca debe usar un disco cuyo diámetro sea mayor que el tamaño que le corresponde a la herramienta.
- ▲ **ADVERTENCIA** • Utilice únicamente discos o accesorios para velocidad asignada mayores o iguales a 200 r/min.

La velocidad asignada del accesorio debe ser al menos igual que la velocidad máxima marcada en la herramienta. Los accesorios que funcionan más rápido de su velocidad asignada pueden romperse y desprenderse.

- ▲ **ATENCIÓN** • Utilice únicamente discos o accesorios con el orificio correspondiente al eje de la herramienta.
- ▲ **ATENCIÓN** • Utilice únicamente discos o accesorios específicos para el material a trabajar.

Antes de operar la esmeriladora

- Tómese su tiempo para evaluar el trabajo a realizar y asegúrese de haber respaldado todas las precauciones necesarias antes de comenzar a esmerilar.

- ▲ **PELIGRO** • Remueva cualquier llave de ajuste de la herramienta. De lo contrario pueden ser lanzadas con fuerza provocando serios daños al operador.

- ▲ **ADVERTENCIA** • Revise que la guarda del disco esté en buen estado y que esté bien fijada. No se debe usar la herramienta sin la guarda. Los fragmentos de las piezas de trabajo o un accesorio todo pueden desprenderse y causar daño más allá del área inmediata de operación.

- ▲ **ATENCIÓN** • Verifique que el disco no esté roto o cuarteado. Golpee ligeramente con un martillo de madera, el sonido que emite le indicará si está cuarteado.

- ▲ **PELIGRO** • Asegúrese que el interruptor esté apagado (Ver pág. 8, Encendido) antes de conectar la herramienta, de lo contrario ésta comenzará a funcionar inesperadamente, pudiendo provocar lesiones graves.

- ▲ **ATENCIÓN** • Encienda la herramienta 30 segundos antes de utilizar para detectar vibraciones considerables o cualquier tipo de movimiento inusual. De ser detectados desconecte la herramienta y acuda a un Centro de Servicio Autorizado **TRUPER**.

- ▲ **ATENCIÓN** • Verifique que el disco gire libremente. No apriete demasiado el disco, de lo contrario podría romperse.

- ▲ **ADVERTENCIA** • Para trabajar piezas pequeñas fijelas con mordazas o abrazaderas. Nunca use las manos para tal fin. Mantener a las personas presentes a una distancia segura del área de trabajo. Cualquiera que entre en la zona de trabajo debe utilizar equipo de protección personal.

- ▲ **ADVERTENCIA** • Para trabajar piezas pequeñas fijelas con mordazas o abrazaderas. Nunca use las manos para tal fin. Mantener a las personas presentes a una distancia segura del área de trabajo. Cualquiera que entre en la zona de trabajo debe utilizar equipo de protección personal.

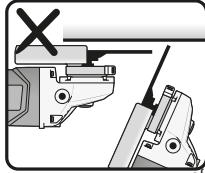
- ▲ **ADVERTENCIA** • Encienda la herramienta 30 segundos antes de utilizar para detectar vibraciones considerables o cualquier tipo de movimiento inusual. De ser detectados desconecte la herramienta y acuda a un Centro de Servicio Autorizado **TRUPER**.

- ▲ **ATENCIÓN** • Verifique que el disco gire libremente. No apriete demasiado el disco, de lo contrario podría romperse.

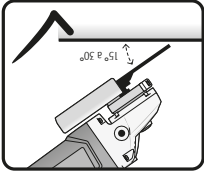
- ▲ **ADVERTENCIA** • Para trabajar piezas pequeñas fijelas con mordazas o abrazaderas. Nunca use las manos para tal fin. Mantener a las personas presentes a una distancia segura del área de trabajo. Cualquiera que entre en la zona de trabajo debe utilizar equipo de protección personal.

- ▲ **ATENCIÓN** • No encienda la herramienta cuando el disco esté en contacto con la pieza de trabajo.

Operaciones para la cual no está diseñada esta herramienta eléctrica puede provocar un accidente y causar lesiones personales. No se recomienda usar en operaciones tales como lijado, lijado, pulido con esta herramienta eléctrica. No utilice accesorios que no están específicamente diseñados y recomendados por el fabricante.



forma incorrecta de operar la esmeriladora



forma correcta de operar la esmeriladora

El diámetro exterior y espesor de los accesorios deben estar dentro de la capacidad asignada. Los accesorios de tamaño incorrecto pueden protegerse o controlarse automáticamente. Para mejores resultados utilice disco de corte Y/O espesor de 3" (72,5 mm) con espesor de 1 mm - 6,4 mm

- ▲ **PELIGRO** • No colocar un disco de sierra para trabajo en madera o una cuchilla dentada. Tales cuchillas crean contragolpes (retrocesos bruscos) frecuentes y pérdida de control.

- ▲ **ADVERTENCIA** • Utilice lentes de seguridad, guantes y mandil cuando opere la herramienta.

- ▲ **ADVERTENCIA** • Mantenga el cable o la extensión por detrás de la herramienta para evitar daños accidentales.

- ▲ **ADVERTENCIA** • Nunca sostenga la herramienta por la parte de atrás aisladas cuando llave a cabo operaciones en las que exista el riesgo de que la herramienta de corte pueda entrar en contacto con el cableado oculto o su propio cable. El operador. • Nunca soltar la herramienta eléctrica hasta que el accesorio se detenga completamente.

- ▲ **ATENCIÓN** • Nunca golpee la superficie de trabajo con el disco. Para obtener un buen resultado durante el proceso de esmerilado, la inclinación entre el disco y la superficie de trabajo debe tener un ángulo de 15° a 30°.

- ▲ **PELIGRO** • Cuando el disco está girando no se debe utilizar el seguro del eje para frenarlo, ya que es muy peligroso y puede ocasionar lesiones al usuario.

- ▲ **ATENCIÓN** • No toque el disco ni la pieza de trabajo inmediatamente después de esmerilar. Espere a que se enfríen para manipularlas. No intente enfriarlas con agua o aceite.

- ▲ **ADVERTENCIA** • Verifique que la herramienta esté desconectada antes de revisar, ajustar o cambiar el disco. • No utilice la herramienta eléctrica cerca de materiales inflamables. • No opere la herramienta mientras la transporta a su lado.

- ▲ **PELIGRO** • Las chispas que provoca el esmerilado pueden resultar un peligro si no se toman las medidas adecuadas. Asegúrese de que no entren en contacto con la piel o sustancias inflamables. • Limpiar gradualmente las rejillas de ventilación de la herramienta. El ventilador del motor direcciona el polvo a la interior de la carcasa y la acumulación excesiva de polvo metálico puede provocar un riesgo eléctrico. • No utilice accesorios que requieren refrigerantes líquidos. El uso de agua u otros refrigerantes líquidos pueden resultar en un choque eléctrico.

- ▲ **ADVERTENCIA** • Verifique que la herramienta esté desconectada antes de revisar, ajustar o cambiar el disco. • No utilice la herramienta eléctrica cerca de materiales inflamables. • No opere la herramienta mientras la transporta a su lado.

- ▲ **PELIGRO** • Las chispas que provoca el esmerilado pueden resultar un peligro si no se toman las medidas adecuadas. Asegúrese de que no entren en contacto con la piel o sustancias inflamables. • Limpiar gradualmente las rejillas de ventilación de la herramienta. El ventilador del motor direcciona el polvo a la interior de la carcasa y la acumulación excesiva de polvo metálico puede provocar un riesgo eléctrico. • No utilice accesorios que requieren refrigerantes líquidos. El uso de agua u otros refrigerantes líquidos pueden resultar en un choque eléctrico.

- ▲ **ADVERTENCIA** • Verifique que la herramienta esté desconectada antes de revisar, ajustar o cambiar el disco. • No utilice la herramienta eléctrica cerca de materiales inflamables. • No opere la herramienta mientras la transporta a su lado.

- ▲ **PELIGRO** • Las chispas que provoca el esmerilado pueden resultar un peligro si no se toman las medidas adecuadas. Asegúrese de que no entren en contacto con la piel o sustancias inflamables. • Limpiar gradualmente las rejillas de ventilación de la herramienta. El ventilador del motor direcciona el polvo a la interior de la carcasa y la acumulación excesiva de polvo metálico puede provocar un riesgo eléctrico. • No utilice accesorios que requieren refrigerantes líquidos. El uso de agua u otros refrigerantes líquidos pueden resultar en un choque eléctrico.

- ▲ **ADVERTENCIA** • Verifique que la herramienta esté desconectada antes de revisar, ajustar o cambiar el disco. • No utilice la herramienta eléctrica cerca de materiales inflamables. • No opere la herramienta mientras la transporta a su lado.

- ▲ **PELIGRO** • Las chispas que provoca el esmerilado pueden resultar un peligro si no se toman las medidas adecuadas. Asegúrese de que no entren en contacto con la piel o sustancias inflamables. • Limpiar gradualmente las rejillas de ventilación de la herramienta. El ventilador del motor direcciona el polvo a la interior de la carcasa y la acumulación excesiva de polvo metálico puede provocar un riesgo eléctrico. • No utilice accesorios que requieren refrigerantes líquidos. El uso de agua u otros refrigerantes líquidos pueden resultar en un choque eléctrico.

- ▲ **ADVERTENCIA** • Verifique que la herramienta esté desconectada antes de revisar, ajustar o cambiar el disco. • No utilice la herramienta eléctrica cerca de materiales inflamables. • No opere la herramienta mientras la transporta a su lado.

- ▲ **PELIGRO** • Las chispas que provoca el esmerilado pueden resultar un peligro si no se toman las medidas adecuadas. Asegúrese de que no entren en contacto con la piel o sustancias inflamables. • Limpiar gradualmente las rejillas de ventilación de la herramienta. El ventilador del motor direcciona el polvo a la interior de la carcasa y la acumulación excesiva de polvo metálico puede provocar un riesgo eléctrico. • No utilice accesorios que requieren refrigerantes líquidos. El uso de agua u otros refrigerantes líquidos pueden resultar en un choque eléctrico.

- ▲ **ADVERTENCIA** • Verifique que la herramienta esté desconectada antes de revisar, ajustar o cambiar el disco. • No utilice la herramienta eléctrica cerca de materiales inflamables. • No opere la herramienta mientras la transporta a su lado.

- ▲ **PELIGRO** • Las chispas que provoca el esmerilado pueden resultar un peligro si no se toman las medidas adecuadas. Asegúrese de que no entren en contacto con la piel o sustancias inflamables. • Limpiar gradualmente las rejillas de ventilación de la herramienta. El ventilador del motor direcciona el polvo a la interior de la carcasa y la acumulación excesiva de polvo metálico puede provocar un riesgo eléctrico. • No utilice accesorios que requieren refrigerantes líquidos. El uso de agua u otros refrigerantes líquidos pueden resultar en un choque eléctrico.

- ▲ **ADVERTENCIA** • Verifique que la herramienta esté desconectada antes de revisar, ajustar o cambiar el disco. • No utilice la herramienta eléctrica cerca de materiales inflamables. • No opere la herramienta mientras la transporta a su lado.



Servicio
 Repare la herramienta en un Centro de Servicio Autorizado **TRUPER** usando sólo piezas de repuesto idénticas. Para mantener la seguridad de la herramienta.

El tiempo.
 Los accesorios con daño generalmente se rompen durante este periodo de
 velocidad sin carga durante un minuto.
 accesorio giratorio, accionar la herramienta eléctrica a máxima
 mantener a las personas presentes alejadas del plano del
 con estas instrucciones y de la manera prevista para el tipo de
 Use la herramienta, sus componentes y accesorios de acuerdo
 herramienta, en condiciones de trabajo adecuadas.
 El uso de la herramienta para aplicaciones diferentes para las que
 está diseñada podría causar una situación de peligro.



Seguridad personal
 Cuando maneje una herramienta, No la use si está cansado o
 bajo la influencia de drogas, alcohol o medicamentos.
 Un momento de distracción mientras maneja la herramienta puede
 causar un daño personal.
 Use equipo de seguridad. Use siempre protección para los ojos.
 El uso de equipo de seguridad como lentes de seguridad, mascarilla antipolvo,
 zapatos antistáticos, sacos y protección para los oídos en condiciones
 apropiadas, reduce de manera significativa los daños personales.

Seguridad eléctrica
 La clavija de la herramienta debe coincidir con el tomacorrien-
 te. Nunca modifique una clavija. No use ningún tipo de
 adaptador para clavijas de herramientas puestas a tierra.
 Clavijas modificadas o enchufes diferentes aumentan el riesgo de
 choque eléctrico.
 Evite el contacto del cuerpo con superficies puestas a tierra
 como tuberías, radiadores, cocinas eléctricas y refrigeradores.
 Hay un mayor riesgo de choque eléctrico si el cuerpo está puesto a tierra.
 No exponga la herramienta a lluvia o condiciones de humedad.
 El agua que ingresa en la herramienta aumenta el riesgo de choque eléctrico.
 No fuerce el cable. Nunca use el cable para transportar, levantar
 o desconectar la herramienta. Mantenga el cable lejos del
 calor, aceite, orillas afiladas o piezas en movimiento.
 Los cables dañados o entredados aumentan el riesgo de choque eléctrico.
 Cuando maneje una herramienta en exteriores, use una
 extensión espada para uso en exteriores.
 El uso de una extensión adecuada para exteriores reduce el riesgo de choque
 eléctrico.
 Si el uso de la herramienta en un lugar húmedo es inevitable,
 use una alimentación protegida por un interruptor de circuito
 de falla a tierra (GFCI).
 El uso de un GFCI reduce el riesgo de choque eléctrico.

Área de trabajo
 Mantenga el área de trabajo limpia y bien iluminada.
 Las áreas desordenadas y oscuras son propensas a accidentes.
 No maneje la herramienta en ambientes explosivos, como en
 presencia de líquido, gas o polvo inflamable.
 Las herramientas eléctricas producen chispas que pueden encender
 material inflamable.
 Mantenga alejados a los niños y curiosos cuando opere la
 herramienta.
 Las distracciones pueden hacer perder el control.

¡ADVERTENCIA! Lea detenidamente todas las advertencias de seguridad y todas las instrucciones que se enlistan a continuación.
 La omisión de alguna de ellas puede dar como resultado un choque eléctrico, incendio y/o daño serio. **Conserve las advertencias y las instrucciones para futuras referencias.**

Advertencias generales de seguridad para herramientas eléctricas

Mantener a las personas presentes a una distancia segura del
 área de trabajo. Cualquiera que entre en la zona de trabajo
 debe utilizar equipo de protección personal.
 Los fragmentos de la pieza de trabajo o un accesorio roto puede desprenderse
 y causar daños más allá del área inmediata de operación.

Retire cualquier llave o herramienta de ajuste antes de arrancar
 la herramienta eléctrica.
 Las llaves o herramientas que quedan en las partes rotativas de la
 herramienta pueden causar un daño personal.
 No sobrepase su campo de acción. Mantenga ambos pies bien
 asentados sobre el suelo y conserve el equilibrio en todo
 momento.
 Esto permite un mejor control de la herramienta en situaciones inesperadas.
 Vista adecuadamente. No vista ropa suelta o joyas. Mantenga
 su pelo, su ropa y guantes alejados de las piezas en
 movimiento.
 La ropa o el pelo sueltos o las joyas pueden quedar atrapados en las piezas en
 movimiento.
 En caso de contar con dispositivos de extracción y recolección
 de polvo conectados a la herramienta, verifique sus conexiones
 y úselos correctamente.
 El uso de estos dispositivos reduce los riesgos relacionados con el polvo.

Uso y cuidados de la herramienta
 No fuerce la herramienta. Use la herramienta adecuada para el
 trabajo a realizar.
 La herramienta adecuada hace un trabajo mejor y más seguro cuando
 se usa al ritmo para el que fue diseñada.
 No use la herramienta si el interruptor no funciona.
 Cualquier herramienta eléctrica que no pueda encenderse o
 apagarse es peligrosa y debe repararse antes de ser operada.
 Descargue la herramienta de la fuente de alimentación
 y/o de la batería antes de efectuar cualquier ajuste, cambiar
 accesorios o almacenarla.
 Estas medidas reducen el riesgo de arrancar la herramienta accidentalmente.
 Almacene las herramientas fuera del alcance de los niños y no
 permita su manejo por personas no familiarizadas con las
 herramientas o con las instrucciones.
 Las herramientas eléctricas son peligrosas en manos no entrenadas.
 Dele mantenimiento a la herramienta. Compruebe que las
 partes móviles no estén desalineadas o trabadas, que no
 haya piezas rotas u otras condiciones que puedan afectar su
 operación. Repare cualquier daño antes de usar la herramienta.
 Muchos accidentes son causados por el escaso mantenimiento de las
 herramientas.
 Mantenga los accesorios de corte afilados y limpios.
 Los accesorios de corte en buenas condiciones son menos probables de
 trabarse y más fáciles de controlar.

Use la herramienta, sus componentes y accesorios de acuerdo
 con estas instrucciones y de la manera prevista para el tipo de
 herramienta, en condiciones de trabajo adecuadas.
 El uso de la herramienta para aplicaciones diferentes para las que
 está diseñada podría causar una situación de peligro.
 Repare la herramienta en un Centro de Servicio Autorizado **TRUPER** usando sólo piezas de repuesto idénticas. Para mantener la seguridad de la herramienta.

ESMA-9N3

12482	Código
Esmeriladora angular	Descripción
9" (225 mm)	Disco
127 V~	Tensión
60 Hz	Frecuencia
16 A	Corriente
2 100 W	Potencia
5/8-11-UNC-1A	Tamaño de hilo de rosca
50 minutos de trabajo por 20 minutos de descanso. Máximo 6 horas diarias.	Ciclo de trabajo
14 AWG X 2C con temperatura de aislamiento de 105 °C	Conductores
Clase II	Aislamiento
Grado IP	
IP20	

El cable de alimentación tiene sujeta-cables tipo: Y
 La clase de construcción de la herramienta es: Aislamiento reforzado.
 La clase de aislamiento térmico de los devanados del motor: Clase E

ADVERTENCIA

Si el cable de alimentación se daña, éste debe ser reemplazado por el fabricante o Centro de Servicio TRUPER, con el fin de evitar algún riesgo de descarga o accidente considerable. Autorizado el ensamblado de accesorios.



La construcción del aislamiento eléctrico de esta herramienta es alterado por sapicadurax o derramamiento de líquidos durante su operación. No la exponga a la lluvia, líquidos y/o humedad.

ADVERTENCIA

Antes de obtener acceso a las terminales, todos los circuitos de alimentación deben ser desconectados.

Requerimientos eléctricos

ADVERTENCIA

Las herramientas de doble aislamiento y aislamiento reforzado están equipadas con un dafija polarizada (una pata es más ancha que la otra). Esta dafija cabe en cualquier enchufe polarizado y sólo puede conectarse de una forma. Si la dafija no cabe en el enchufe, voltéelo. Si aun así no cabe, póngase en contacto con un electricista calificado o instale un enchufe polarizado. No altere la dafija en forma alguna. Ambos tipos de aislamiento eliminan la necesidad de un cable de corriente de tres partes con conexión a tierra o de un sistema de corriente eléctrica con conexión a tierra.

ADVERTENCIA

Al usar un cable de extensión, asegúrese de usar el calibre suficiente para transportar la corriente que consumirá su herramienta. Un cable de un calibre inferior ocasionará caídas de tensión en la línea, teniendo como resultado pérdida de potencia y sobrecalentamiento del motor. La siguiente tabla muestra el tamaño correcto que debe usarse dependiendo de la longitud del cable y de la capacidad de amperes indicada en la placa de datos de la herramienta. Si tiene dudas use el siguiente calibre más alto.

Capacidad en Amperes	Número de conductores	Calibre de extensión
de 0 A hasta 10 A	3 (uno a tierra)	18 AWG(*)
de 10 A hasta 13 A		16 AWG
de 13 A hasta 15 A		14 AWG
de 15 A hasta 20 A		12 AWG
		8 AWG
		6 AWG

de 1.8 m a 15 m | mayor de 15 m



ADVERTENCIA Al operar herramientas eléctricas en exteriores, utilice una extensión especializada para el uso en exteriores y reduzca el riesgo de sufrir una descarga eléctrica. * Se permite utilizarlo siempre y cuando las extensiones mismas cuenten con un artefacto de protección contra sobrecorriente.

AWG = Calibre de alambre estadounidense (American Wire Gauge). Referencia: NMX-F-195-ANCC

Al operar herramientas eléctricas en exteriores, utilice una extensión especializada para el uso en exteriores y reduzca el riesgo de sufrir una descarga eléctrica.



Recomendaciones de uso y cuidados

3	Especificaciones técnicas
3	Requerimientos eléctricos
4	Advertencias generales de seguridad para herramientas eléctricas
5	Advertencias de seguridad para uso de esmeriladoras
7	Partes
7	Preparación
8	Puesta en marcha
9	Mantenimiento
10	Notas
11	Centros de Servicio Autorizados
12	Póliza de Garantía

Para poder sacar el máximo provecho de la herramienta, alargar su vida útil, hacer válida la garantía en caso de ser necesario y evitar riesgos o lesiones graves, es fundamental leer este instructivo por completo antes de usar la herramienta.

Guarde este instructivo para futuras referencias. Los gráficos de este instructivo son para referencia, pueden variar del aspecto real de la herramienta.

ATENCIÓN

PARA PROLONGAR LA VIDA DE SU HERRAMIENTA, LIMPIE CON AIRE COMPRIMIDO (SOPLETEAR), DESPUÉS DE CADA USO.

NUNCA EXCEDA EL CICLO DE TRABAJO 50 min de trabajo por 20 min de descanso. Máximo diario 6 horas.

NUNCA use el cable para transportar, levantar o desconectar la herramienta.

NUNCA apriete el botón de bloqueo cuando esté girando el disco.

Realice **MANTENIMIENTO** periódico a su máquina (página 9).

Instructivo de

Esmiladora angular

2 100 W
Potencia
Disco
9"
225 mm

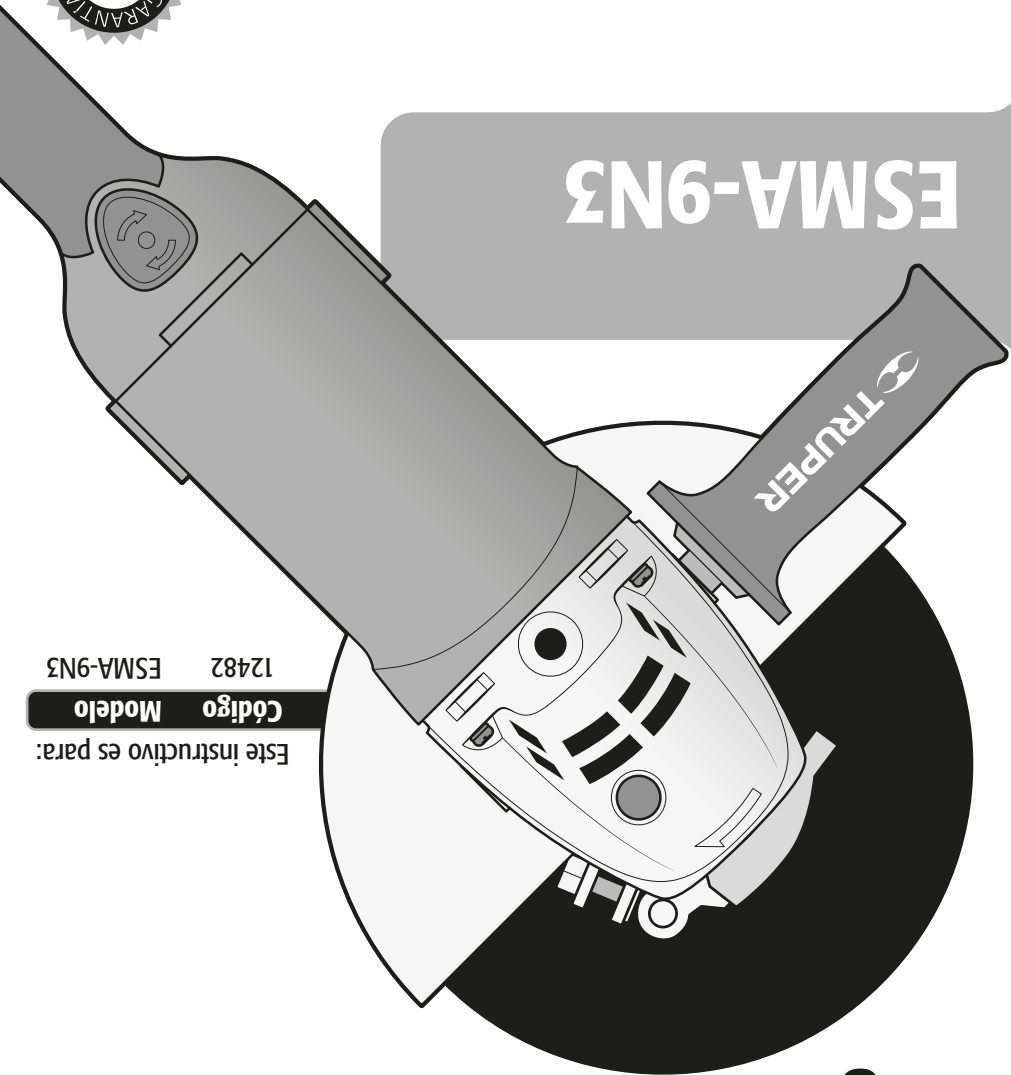
Este instructivo es para:

Código

12482

Modelo
ESMA-9N3

ESMA-9N3



¡ATENCIÓN



Lea este instructivo por completo
antes de usar la herramienta.

