

ENGLISH
ESPAÑOL

TRUPER®

Manual

Gas string trimmer

DES-30R

Applies for:

Code

12497

Model

DES-30R

30 cc

Motor

CAUTION



Read the user's manual thoroughly
before operating this tool.



Technical data.....	3
Fuel specifications.....	3
 Motor Tools Safety Warnings.....	4
 String trimmer's safety warnings.....	5
Parts.....	6
Assembly.....	6
Fuel supply.....	8
Tuning On.....	8
Operation.....	9
Maintenance.....	10
Available accessories and replacement parts list.....	11
Troubleshooting.....	12
Authorized service centers.....	13
Warranty policy.....	14

WARNING

To gain the best performance of the tool, prolong the duty life, make the Warranty valid if necessary, and to avoid hazards of fatal injuries please read and understand this Manual before using the tool.




Keep this manual for future references.

The illustrations in this manual are for reference only. They might be different from the real tool.

Troubleshooting

Use and care recommendations



 For better performance and durability, use high-octane gasoline. In Mexico, we recommend using **PREMIUM**  +  = **50:1** Mix
gasoline mixed with **2-STROKE ENGINE OIL**.
Using the wrong mixture can cause serious engine damage.

 **DO NOT** use **GASOLINE MIXTURE** that has been stored for over 15 days.

 Always **USE** the **SAFETY GUARD** and nylon line with a **DIAMETER** of 0.08 in to 0.105 in

 **ALWAYS** run your brush cutter at **FULL POWER** with the throttle **FULLY** squeezed.

 Perform periodic **MAINTENANCE** to your machine (page 10).

DES-30R

Code •	12497
Description •	Gas string trimmer, straight shaft
Net Weight •	13 lb (with no fuel)
Fuel Tank •	16.9 oz
Motor Displacement •	30 cc
Maximum Motor Performance •	1.2 Hp
Speed •	8000 RPM
Cutter Head •	Nylon line
Cutting diameter •	17"
Nylon line diameter •	0.08 in to 0.105 in
Handle •	Loop handle
Work Cycle •	30 minutes idle per fuel tank consumed. Maximum 6 hours daily.


Fuel specifications



For better performance and durability use higher-octane gasoline. In Mexico, we suggest using PREMIUM gasoline.

- The string trimmer has an air-cooled 2-cycle motor using a mix of unleaded gasoline and high quality self-propulsion oil with fuel stabilizer specified for air-cooled two-cycle motors.
- The motor is certified to run with unleaded gasoline for vehicles with 87 or more ((R+M)/2) octane level.
- Do not use any type of gasoline premixed with oil bought in service stations such as gasoline for motorcycles.
- Do not use automotive oil or oil for 2-cycle outboard motors oil.
- The mix ratio should be 50 parts gasoline per 1 part oil (50:1 ratio). Prepare the mix in a gasoline-approved container. Always mix thoroughly before pouring in the motor tank.

CAUTION Do not use fuel mix stored longer than 15 days. Make small amounts of mix.

WARNING Never smoke near fuel, the gasoline filling up area or where the oil mix is being prepared or when operating the tool. 

WARNING Any attempt to start the string trimmer with no oil added to the fuel mix will damage to the string trimmer.

Use TRUPER ACES-2, ACES-5 or ACES-20 oil caps** to measure the mix.
Mix 4 capsful oil per each gasoline liter.



A wrong mix may cause the motor to throw a rod causing expensive repairs!



4 capsful oil



Gasoline
PREMIUM



50:1

Mix

To prolong the useful life of the motor use TRUPER two-cycle synthetic motor oil.

* 1 gallon = 3.78 liter

** Not included

Keep your work area clean, tidy and well lit.

CAUTION Cluttered and dark areas may cause accidents.



Never use the string trimmer in explosive areas or in the presence of flammable liquids.

DANGER Before starting the motor keep the string trimmer at least 9 meters (30 feet) away from the fill up area.



Keep children and passersby at a safe distance while operating the string trimmer.

WARNING Distractions could cause losing control and cause accidents.



Avoid contact with power lines and circuits.

DANGER Find and avoid power lines and circuits, especially hidden wiring as well as any grounded object.



Stay alert, use care and common sense.

CAUTION Familiarity with the string trimmer operation could lead to distractions. It could cause accidents.

Refrain from using the string trimmer if tired or under the influence of drugs, alcohol or medication.

DANGER Being momentarily distracted while using the string trimmer could cause severe personal injury.

Operate the string trimmer with guards and protection devices in place and in good working condition.

WARNING Failure to comply with this warning is a hazard of severe personal injury.

Do not force the string trimmer.

CAUTION Working within the tool's working design assures a better and safer job.



Keep the string trimmer in a safe place and out of the reach of children.

WARNING Motor powered tools are dangerous to inexperienced people.



Wear proper clothes.

WARNING Loose clothes, jewelry or long hair could get caught in the mobile parts.



Keep hands away from rotating and/or mobile parts.

WARNING Failure to comply with this warning is a hazard of severe personal injury.



Do not operate the string trimmer in enclosed areas.

DANGER Avoid breathing accumulated carbon monoxide, a potentially deadly odorless toxic gas.



Wear adequate protective safety accessories.

CAUTION Wear eye protection, dust mask, non-skid safety shoes, helmet and ear plugs. These safety gears reduce the risk of injury.



Turn off the string trimmer before adjusting, changing accessories or storin.

WARNING Double check the string trimmer switch is in the off position.

Refrain from operating the string trimmer if the switch is not working or is not properly assembled.

WARNING Failure to complain with this warning is a hazard of personal injury. Immediately send it to a TRUPER Authorized Service Center.

Do not overreach.

CAUTION Good balance and support lead to better controlling the tool in unexpected situations.

Avoid the string trimmer to unintentionally start.

WARNING Double-check the string trimmer motor is off before maintenance or putting it away.



Remove brackets before turning on the string trimmer.

DANGER Additional tools or vices installed in a rotating part could cause severe personal injury.

Service the string trimmer and double-check it is in good working conditions before operating.

CAUTION Carefully check mobile parts, alignment and assembly. Do it periodically. Look for any damaged element or part not working properly. Repair immediately in a TRUPER Authorized Service Center.



Accessories.

CAUTION Use only accessories or spare parts indicated in this Manual or certified by TRUPER

Never leave a running string trimmer unattended.

DANGER Turn off and disconnect the string trimmer after using. Set it in a safe position to avoid severe injury.

Never smoke in the proximity of fuel.

DANGER Do not smoke in the proximity of the fuelling area or when using the string trimmer.





Safety warnings

for string trimmers

TRUPER

Fuel handling

- Never smoke near fuel or where gasoline is supplied.  Or where the oil mix is prepared or while operating the string trimmer.
- Handle fuel with care to reduce risk of fire or burns. 

Fuel is very flammable.

- Do not allow gasoline or oil getting contact with your skin.
- Protect your eyes. Avoid spilling oil or gasoline. In the event of accidental contact, wash eyes immediately with clean water. If irritation persists, see a doctor.
- Mix and store fuel in a labeled container.

⚠ WARNING • Mix fuel outdoors away from flames or sparks.

- Before refueling the string trimmer turn off the motor. Set the string trimmer in the ground in a clear surface. Wait for the motor to cool down.

⚠ CAUTION • Clean all the fuel that might have been spilled before operating the string trimmer.

⚠ CAUTION • Verify there are no leaks. If so, correct them before using the string trimmer to prevent fire or burns.

- Move the string trimmer at least 30 feet away from the fuel filling up site before starting the motor.
- Under no circumstance burn spilled fuel.
- Under no circumstance, use any other type of fuel different from the specified in this Manual.

Before operating the string trimmer

- Wear the right clothes to operate the string trimmer. Tight fitting clothes, strong pants, anti-skid safety boots, heavy-duty protecting gloves and safety glasses with side protection complying with ANSI Z87.1. Standard.



⚠ WARNING • Remove any accessory or loose clothes that could get caught by the moving cutter head. Fasten your long hair above your shoulders.

- Verify the string trimmer is in perfect working conditions. Do not turn on is not properly adjusted or fully assembled to work in a safe manner, or if the fuel tank shows leakage or loose screws.
- Verify the string trimmer is clean, dry and free of oil or fuel.
- Double-check the work area is in an open area and is well ventilated.
- Check the work area. Remove stones, pieces of broken glass, nails, wire or rope. They could be soot out or be tangled in the string trimmer.
- In extreme temperatures verify there are no ice formations or condensation in the string trimmer.
- Verify visibility and light condition are adequate to see clearly. Otherwise do not use the string trimmer.

- Do not use the string trimmer with any guards in place. Or if the guards show any type of damage or they have missing parts.

When operating the string trimmer

⚠ CAUTION • Keep passersby, children and animals away no less than 50 feet away.

- Verify the cutter head is not making contact with any object before starting the motor.

⚠ WARNING • Keep both feet firmly set on the ground and both hands holding the string trimmer by the handles. Never operate the string trimmer single-handed. Otherwise the operator and any other person present may be injured.

- Keep all your body away from the cutter head when the motor is running.

• Always keep the cutting head pointed downwards, below your waist level. Never raise it above 2.4 feet from the ground.

- Keep all your body parts away from the muffler.

Otherwise severe burns can occur.

- Keep the string trimmer away from flammable materials.
- Do not use the string trimmer to cut woody shrubs.
- Be alert to surrounding risks. The string trimmer noise could prevent you from noticing them.

⚠ DANGER • If making jobs near traffic roads, stop cutting until there are no vehicles in sight. The string trimmer could shoot particles towards the moving vehicles and produce a severe accident.

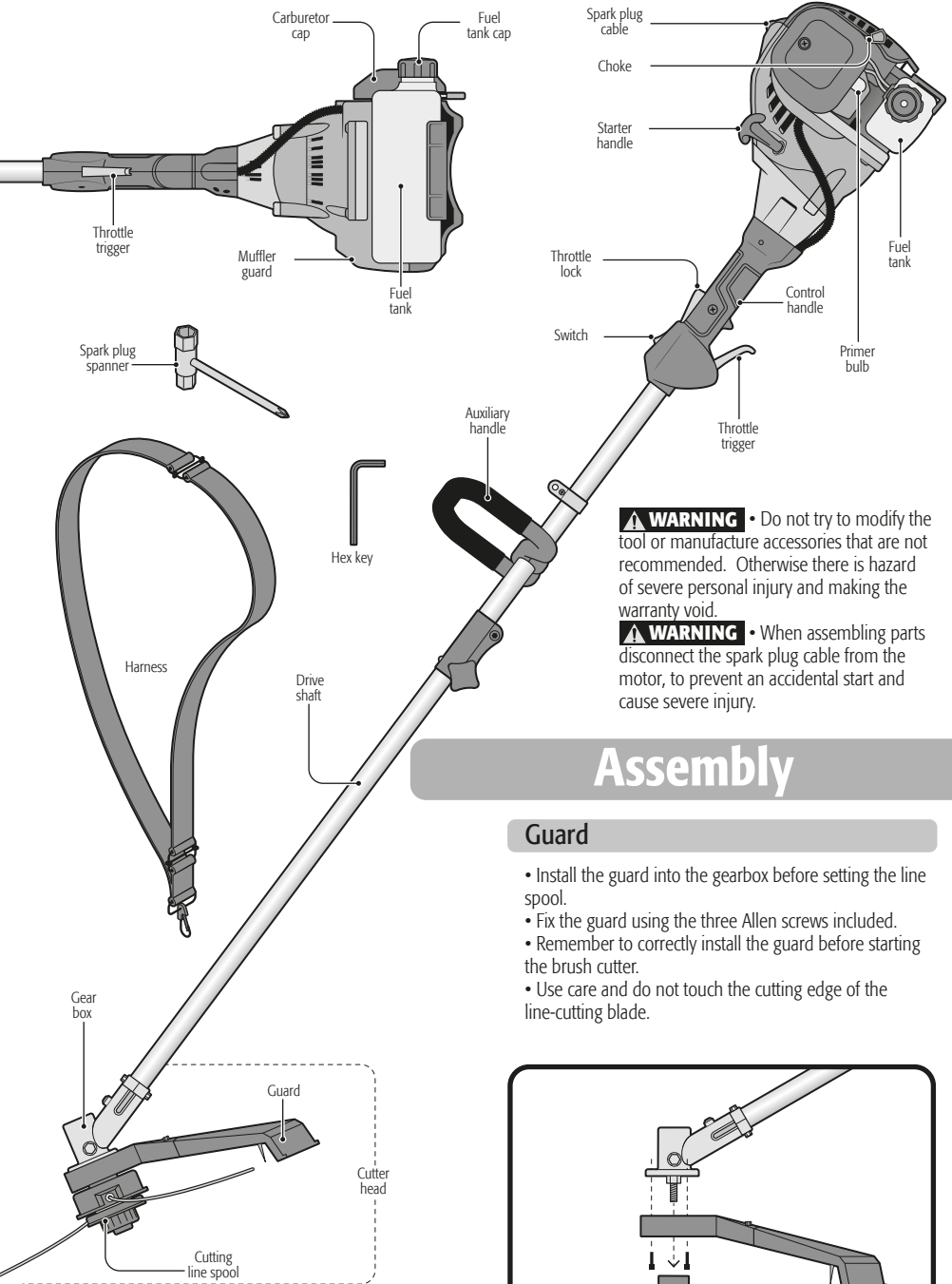
After operating the string trimmer

⚠ WARNING • Do not try to stop the cutter head rotating movement in any other way than releasing the switch. Wait for the cutter head stop after shutting off the string trimmer. It will take a couple of seconds.

⚠ CAUTION • Always carry the string trimmer with the motor off and the muffler away from your body. Before putting the string trimmer in a vehicle, drain the fuel tank.

⚠ WARNING • Turn off the motor before idling the string trimmer. DO NOT leave the motor running unattended. Wait for the string trimmer to cool off before storing.

⚠ CAUTION • Highly trained personnel string trimmer should only carry out service and repairs.



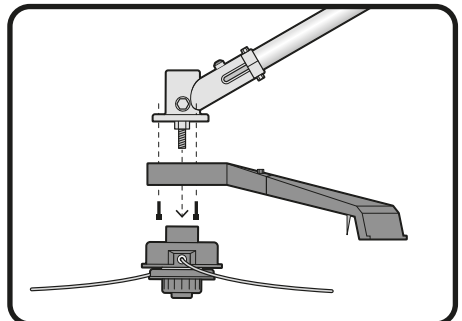
⚠ WARNING • Do not try to modify the tool or manufacture accessories that are not recommended. Otherwise there is hazard of severe personal injury and making the warranty void.

⚠ WARNING • When assembling parts disconnect the spark plug cable from the motor, to prevent an accidental start and cause severe injury.

Assembly

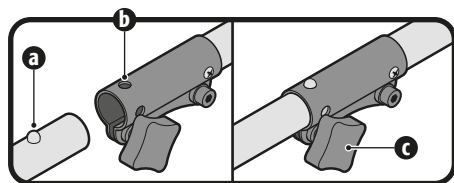
Guard

- Install the guard into the gearbox before setting the line spool.
- Fix the guard using the three Allen screws included.
- Remember to correctly install the guard before starting the brush cutter.
- Use care and do not touch the cutting edge of the line-cutting blade.



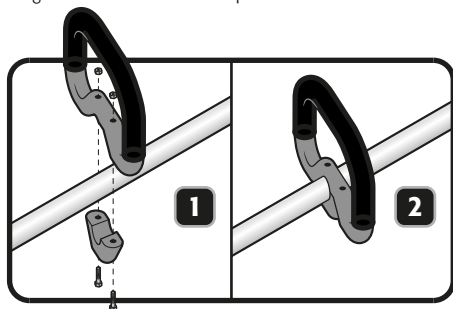
Shaft

- Align the safety pin (a) of the lower shaft with the middle hole in the clamp (b).
- Press the safety pin down and insert the lower shaft into the clamp.
- Release the safety pin; ensure that it engages in the hole on the upper shaft.
- Tighten the locking knob anticlockwise to secure the connection (c).



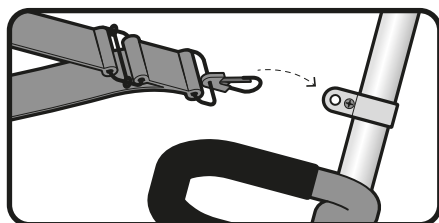
Auxiliary handle

- Install the auxiliary handle as shown in the figure.
- To operate comfortably move the auxiliary handle through the string trimmer arm up to the right height.
- Tighten the screws to fix into position.



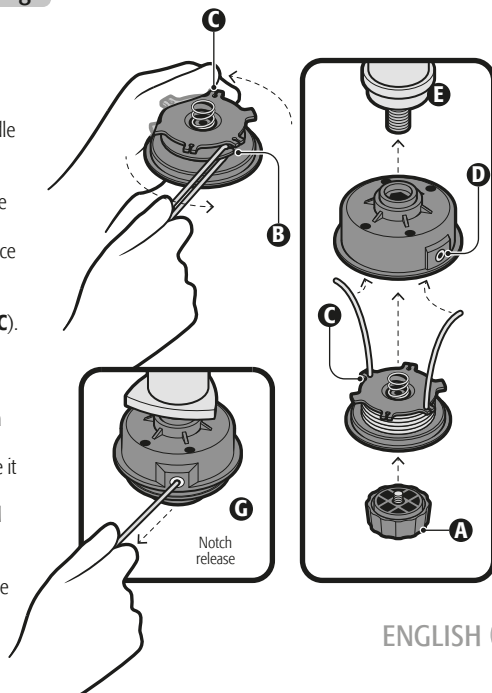
Harness

- Set the harness in the handle ring to support the string trimmer on the shoulder.



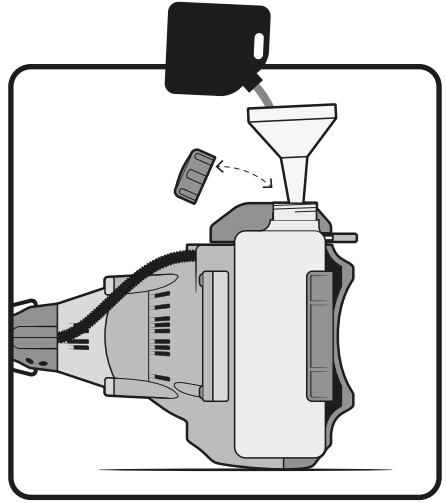
Cutting string replacement and mounting

- With the string trimmer turned off, remove the spool-retaining cap (A) turning clockwise.
- Remove the empty spool. Verify it is clean and has no damaged or worn parts.
- Cut 20' length of cutting line. Make a loop in the middle of the line and insert the loop in the spool inner hook (B). Hold the line and wind it counter-clockwise. Double-check each end of the line is wound in its respective section (upper and lower). Do not wind too much line. After winding there shall remain a 0.2" minimum distance between the spool edge and the wound line.
- Leave approximate 6" unwound on both ends of the line and insert each one of them in the spool notches (C). This is to prevent the line to unwind while installing the spool in the brush cutter. Later on you will release the lines from their notches.
- Set back the spool in its cover passing the ends of each line through the cover orifices (D). If the line is loose or tangled in this step, wind it again in the spool and secure it in its notches.
- Set the spool cover in the axis (E) and secure the spool tightening the retention cap (A).
- Apply force and pull both ends of the cutting line outwards to release it from the notches in the upper side of the spool (G).



- Follow the safety standards for handling fuel (Page 5).
- Allow the motor to completely cool down before filling up.
- Set the string trimmer lying it down onto a flat surface as shown in the figure.
- Wipe around the fuel tank cap to prevent contamination.
- Slowly loosen the fuel cap.
- Use care to avoid spillage. Pour the fuel mix into the fuel tank. **CAUTION** Follow fuel specifications (Page 3).
- Before setting back the fuel cap check and clean the joints.
- Immediately set the fuel tank cap back and tighten by hand.
- Wipe clean any fuel spills.

CAUTION In a new motor and after running it for the first time it is normal that smoke emissions are present.



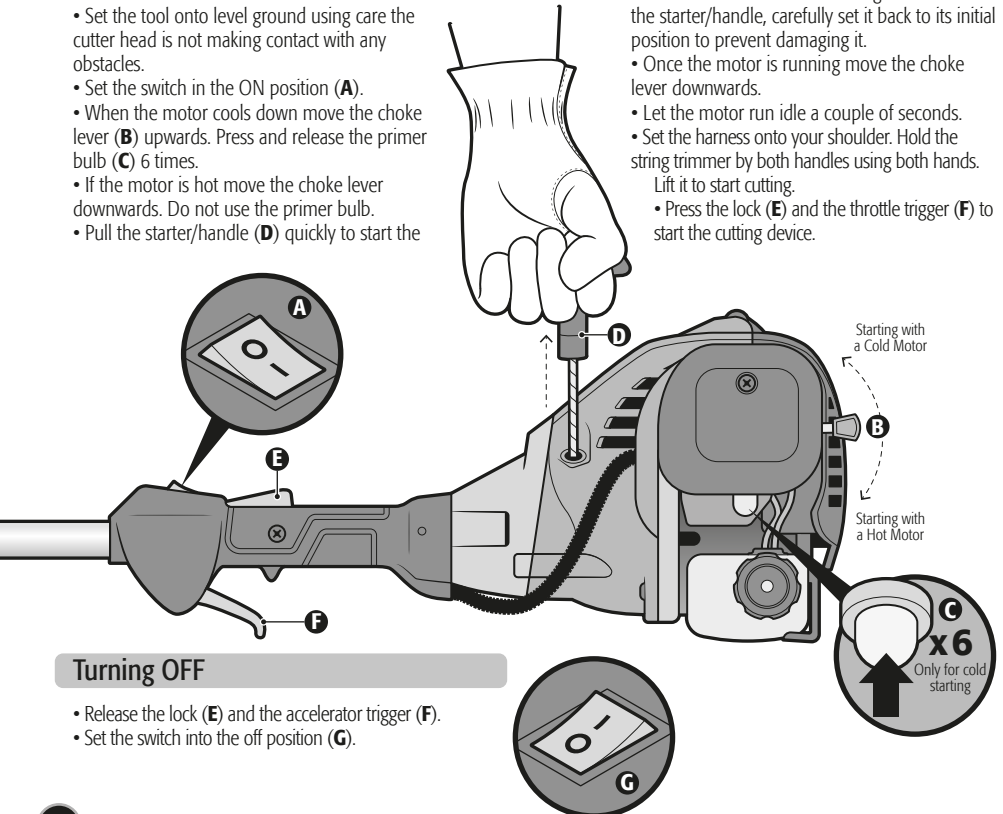
Start up

Starting

- Set the tool onto level ground using care the cutter head is not making contact with any obstacles.
- Set the switch in the ON position (A).
- When the motor cools down move the choke lever (B) upwards. Press and release the primer bulb (C) 6 times.
- If the motor is hot move the choke lever downwards.
- Do not use the primer bulb.
- Pull the starter/handle (D) quickly to start the

motor. Once the motor is running do not release the starter/handle, carefully set it back to its initial position to prevent damaging it.

- Once the motor is running move the choke lever downwards.
- Let the motor run idle a couple of seconds.
- Set the harness onto your shoulder. Hold the string trimmer by both handles using both hands. Lift it to start cutting.
- Press the lock (E) and the throttle trigger (F) to start the cutting device.



Turning OFF

- Release the lock (E) and the accelerator trigger (F).
- Set the switch into the off position (G).

Operation

TRUPER

⚠ CAUTION • Remember that you, being the string trimmer operator, are responsible of your safety and the safety of those who are near your work area. Follow all security standards (pages 4 and 5) before operating the tool.

- Keep good balance with both feet firmly set on ground.
- Use the harness to support the string trimmer weight.

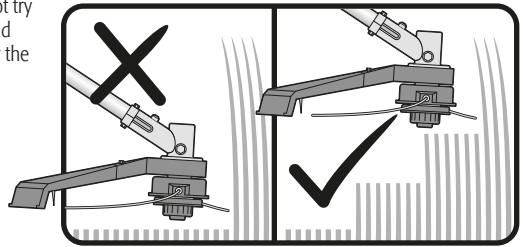
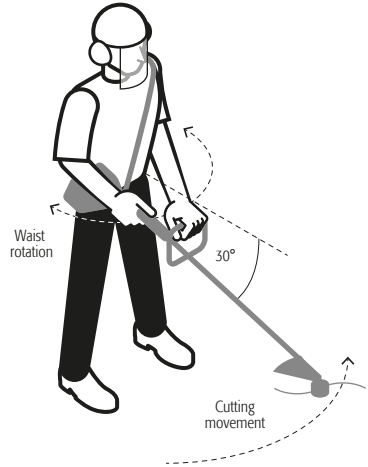
Hold firmly the string trimmer in front of you. Set one hand in the handle and the other in the auxiliary handle to have the tool aligned to your body and pointing the cutter head 30° downwards, away from your feet.

⚠ DANGER • Do not turn on or operate the string trimmer in any other position.

- Turn on the string trimmer and make cuts from left to right rotating your waist and keeping the tool position.
- As you cut grass the cutting thread will wear and will fall.

To release more thread from the spool press the string trimmer lightly downwards to have the ground pressing the retention cap against the spool and to release more thread. The guard blade will cut the remaining thread. At this moment stop pushing the string trimmer against the ground to stop spending more thread.

- To cut brush or tall grasses make it gradually. Do not try to cut in one pass from its base because residue could clog the cutting head or make you loose control over the string trimmer.



- Before inspecting, cleaning or servicing the tool, turn off the motor. Wait for all the moving parts to stop. Disconnect the spark plug cable and separate it from the spark plug. Otherwise, you could be severely injured and the equipment could get damaged.

General cleaning

- Clean and unblock all the starter unit ventilation slots with a brush when necessary.
- In the same way, periodically clean the motor cylinder wings and the fan wings to remove dirt. Not doing it will cause the motor to overheat and get damaged.

Cleaning the air filter

- Remove the air filter cap loosening the cap knob.
- Remove the air filter.
- Depending of the time it has been used you can give a superficial cleaning to the filter by only tapping it against a flat surface to remove most of the particles.
- You can also blow the filter with compressed air. Do it in both sides.
- For a more complete cleaning wash the filter in lukewarm soapy water. Rinse it and let it dry before installing it back in the tool.
- Install back the air filter verifying it clicks in place.
- Clean the air filter as frequently as necessary to keep it always clean. Otherwise the motor performance will diminish.

Fuel filter

- Check frequently the gasoline filter.
- If the filter is dirty, replace it.
- In the gas tank interior is dirty rinse it with gasoline.

Carburetor adjustment

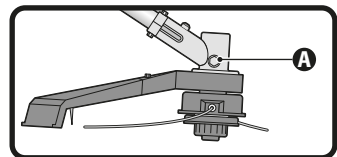
- We recommend making carburetor adjustments in a TRUPER Authorized Service Center.
- A wrong adjustment can damage the motor and make the warranty void.

Spark plug replacement

- The motor uses a TORCH L8RTC spark plug with an electrode gap of 0.025". Replace the spark plug once a year with a similar one.
 - With a totally cold motor, loosen the worn spark plug turning left with a spark plug wrench and remove it.
 - Insert the new spark plug and tighten to the right by hand. Tighten it half a turn more with the key included.
- ⚠ CAUTION** • Use care not to damage the spark plug thread. Otherwise the motor will be seriously damaged.

Exhaust and muffler cleaning

- The exhaust and muffler can be clogged with carbon deposits, depending on the type of fuel, the amount of oil used and / or the conditions the tool is used. If noticing loss of power you should remove the deposits to restore performance. Go to a TRUPER Authorized Service Center to have this service made.
 - The muffler is equipped with an anti-spark screen inside the muffler. After being used long periods of time the screen gets dirty and needs to be replaced. Go to a TRUPER Authorized Service Center to have it replaced.
- ⚠ CAUTION** • Check constantly that the muffler has the fasteners secured and that there is no damage or corrosion. If finding leaks, stop the tool and immediately go to a TRUPER Authorized Service Center to have it repaired.



Tool storage

If storing the tool a month or more, be aware of the following:





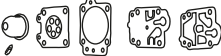
- Drain all the contents in the fuel tank into an approved gasoline container. All the remaining fuel should be used again in other equipment with a two-cycle motor with a ratio of 50:1.
- Run the motor until the rest of the fuel is consumed and the motor shuts off by itself. This way all residual fuel will be eliminated and will prevent oil grums deposit build up that could damages the fuel system.
- Clean thoroughly.
- Store the tool in a ventilated space, away from corrosive agents like garden chemical substances or deicing salts. Also away from children.
- Comply with all the government rules regarding safety in handling and storing fuel.

Regular maintenance	Every use	Every 25 h of use	Every 50 h of use	Every 150 h of use	Every 250 h of use
General cleaning	✓				
Air filter cleaning					
Carburetor cleaning *					
Spark plug inspection and adjustment *					
Fuel tank cleaning **					
Fuel filter change **					
Fuel chamber replacement **					
Combustion chamber cleaning **					

* Trained user or TRUPER Authorized Service Center

** TRUPER Authorized Service Center

Available accessories and replacement parts list

Component	Code	Part	Description
	16927	RET-GRUPO-02	Spool retainer for Truper string trimmer
	16929	REP-GRUPO-02	Bump feed head for Truper string trimmer
	16928	TAP-GRUPO-02	Trimmer spool head replacement for Truper
	101814	CB-DES-GRUPO2	Carburetor for gas string trimmer
	101795	KC-DES-30R	Carburetor maintenance kit

Problem	Cause	Solution
The motor does not start.	<ul style="list-style-type: none"> • There is no spark. • There is no fuel. • The motor is choked. • The starter jack is pulling with more difficulty than when new. 	<ul style="list-style-type: none"> • Check the spark. Remove the motor cover. Remove the spark plug from the cylinder. Connect the spark plug cable and set it on top of the motor cylinder with its metal part touching the cylinder. Pull the starter and watch the spark in the spark plug electrode. If there is no spark, repeat the test with a new spark plug. • Press the primer bulb until the fuel is visible in the primer bulb. If no fuel is showing it means that the fuel supply primary system is blocked. Contact a TRUPER Authorized Service Center. If the primer bulb fills with fuel, it means the motor is choked. • With the switch off, remove the spark plug. Move the choke lever upwards and pull the starter handle 15 to 20 times to eliminate the fuel excess in the motor. Clean the spark plug and reinstall. Follow the normal starting procedure (consult page 8). If the motor does not start, move the choke lever downwards and repeat the starting procedure. If the motor is still not running, repeat the procedure but this time using a new spark plug. • Take the tool to a TRUPER Authorized Service Center.
The motor starts but it is not accelerating.	<ul style="list-style-type: none"> • The motor needs a few minutes to warm up. 	<ul style="list-style-type: none"> • Allow the motor to warm up completely. If the motor is not accelerating after three minutes contact your TRUPER Authorized Service Center.
The motor starts, but it only runs at high speed with the choke at half position.	<ul style="list-style-type: none"> • Carburetor needs adjustment. 	<ul style="list-style-type: none"> • Take the tool to a TRUPER Authorized Service Center.
The motor is not gaining full speed and has too much smoke emissions.	<ul style="list-style-type: none"> • Check the oil / fuel mix. • The air filter is dirty. • The anti spark guard screen is dirty. 	<ul style="list-style-type: none"> • Use new fuel and the right oil mix for two-cycle. • Clean the air filter. See page 10. • Clean the anti spark guard screen. See page 10.
The motor starts, works but it has no idle speed.	<ul style="list-style-type: none"> • The idle screw in the carburetor needs to be adjustment. 	<ul style="list-style-type: none"> • Turn the idle screw clockwise to increase speed.

In the event of any problem contacting a TRUPER Authorized Service Center, please see our webpage WWW.TRUPER.COM to get an updated list, or call our toll-free numbers **800 690-6990** or **800-018-7873** to get information about the nearest Service Center.

- AGUASCALIENTES** **DE TODO PARA LA CONSTRUCCIÓN**
GRAL. BARRAGÁN #1201, COL. GREMIAL, C.P. 20030, AGUASCALIENTES, AGS. TEL.: 449 994 0537
- BAJA CALIFORNIA** **SUCURSAL TIJUANA**
AV. LA ENCANTADA, LOTE #5, PARQUE INDUSTRIAL EL FLORIDO II, C.P. 22244, TIJUANA, B.C. TEL.: 664 969 5100
- BAJA CALIFORNIA SUR** **FIX FERRETERÍAS**
FELIPE ÁNGELES ESQ. RUIZ CORTÍNEZ S/N, COL. PUEBLO NUEVO, C.P. 23670, CD. CONSTITUCIÓN, B.C.S. TEL.: 613 132 1115
- CAMPECHE** **TORNILLERÍA Y FERRETERÍA AAA**
AV. ÁLVARO OBREGÓN #324, COL. ESPERANZA C.P. 24080 CAMPECHE, CAMP. TEL.: 981 815 2808
- CHIASPAS** **FIX FERRETERÍAS**
AV. CENTRAL SUR #27, COL. CENTRO, C.P. 30700, TAPACHULA, CHIS. TEL.: 962 118 4083
- CHIHUAHUA** **SUCURSAL CHIHUAHUA**
AV. SILVESTRE TERRAZAS #128-11, PARQUE INDUSTRIAL BAFAR, CARRETERA MÉXICO CUAUHTÉMOC, C.P. 31415, CHIHUAHUA, CHIH. TEL.: 614 434 0052
- MEXICO CITY** **FIX FERRETERÍAS**
EL MONSTRUO DE CORREGIDORA, CORREGIDORA # 35, COL. CENTRO, C.P. 06060, CUAUHTÉMOC, CDMX. TEL.: 55 5522 5031 / 5522 4861
- COAHUILA** **SUCURSAL TORREÓN**
CALLE METAL MECÁNICA #280, PARQUE INDUSTRIAL ORIENTE, C.P. 27278, TORREÓN, COAH. TEL.: 871 209 68 23
- COLIMA** **BOMBAS Y MOTORES BYMTESA DE MANZANILLO**
BLVD. MIGUEL DE LA MADRID #190, COL. 16 DE SEPTIEMBRE, C.P. 28239, MANZANILLO, COL. TEL.: 314 332 1986 / 332 8013
- DURANGO** **TORNILLOS ÁGUILA, S.A. DE C.V.**
MAZURIO #200, COL. LUIS ECHEVERRÍA, DURANGO, DGO. TEL.: 618 817 1946 / 618 818 2844
- ESTADO DE MÉXICO** **SUCURSAL CENTRO JILOTEPEC**
PARQUE INDUSTRIAL # 1, COL. PARQUE INDUSTRIAL JILOTEPEC, JILOTEPEC, EDO. DE MÉX. C.P. 54257 TEL.: 761 782 9101 EXT. 5728 Y 5102
- GUANAJUATO** **CIÁ. FERRETERA NUEVO MUNDO S.A. DE C.V.**
AV. MÉXICO - JAPÓN #225, CD. INDUSTRIAL, C.P. 38010, CELAYA, GTO. TEL.: 461 617 7578 / 79 / 80 / 88
- GUERRERO** **CENTRO DE SERVICIO ECLIPSE**
CALLE PRINCIPAL MZ.1 LT. 1, COL. SANTA FE, C.P. 39010, CHILPANCIINGO, GRO. TEL.: 747 478 5793
- HIDALGO** **FERREPRECIOS S.A. DE C.V.**
LIBERTAD ORIENTE #304 LOCAL 30, INTERIOR DE PASAJE ROBLED0, COL. CENTRO, C.P. 43600, TULANCINGO, HGO. TEL.: 775 753 6615 / 775 753 6616
- JALISCO** **SUCURSAL GUADALAJARA**
AV. ADOLFO B. HORN # 6800, COL. SANTA CRUZ DEL VALLE, C.P.: 45655, TLAJOMULCO DE ZUÑIGA, JAL. TEL.: 33 3606 5285 AL 90
- MICHOACÁN** **FIX FERRETERÍAS**
AV. PASEO DE LA REPÚBLICA #3140-A, COL. EX-HACIENDA DE LA HUERTIA, C.P. 58050, MORELIA, MICH. TEL.: 443 334 6858
- MORELOS** **FIX FERRETERÍAS**
CAPITÁN ANZURES #95, ESQ. JOSÉ PERDIZ, COL. CENTRO, C.P. 62740, CUAUTLA, MOR. TEL.: 735 352 8931
- NAYARIT** **HERRAMIENTAS DE TEPIC**
MAZATLAN #117, COL. CENTRO, C.P. 63000, TEPIC, NAY. TEL.: 311 258 0540
- NUEVO LEÓN** **SUCURSAL MONTERREY**
CARRETERA LAREDO #300, 18 MONTERREY PARKS, COLONIA PUERTA DE ANAHUAC, C.P. 66052, ESCOBEDO, NUEVO LEÓN, TEL.: 81 8352 8791 / 81 8352 8790
- OAXACA** **FIX FERRETERÍAS**
AV. 20 DE NOVIEMBRE #910, COL. CENTRO, C.P. 68300, TUXTEPEC, OAX. TEL.: 287 106 3092
- PUEBLA** **SUCURSAL PUEBLA**
AV. PERIFÉRICO #2-A, SAN LORENZO ALMECATLA, C.P. 72710, CUAUHLACINGO, PUE. TEL.: 222 282 8282 / 84 / 85 / 86
- QUERÉTARO** **ARU HERRAMIENTAS S.A. DE C.V.**
AV. PUERTO DE VERACRUZ #110, COL. RANCHO DE ENMEDIO, C.P. 76842, SAN JUAN DEL RÍO, QRO. TEL.: 427 268 4544
- QUINTANA ROO** **FIX FERRETERÍAS**
CARRETERA FEDERAL MZ. 46 LT. 3 LOCAL 2, COL. EJIDAL, C.P. 77710 PLAYA DEL CARMEN, Q.R. TEL.: 984 267 3140
- SAN LUIS POTOSÍ** **FIX FERRETERÍAS**
AV. UNIVERSIDAD #1850, COL. EL PASEO, C.P. 78320, SAN LUIS POTOSÍ, S.L.P. TEL.: 444 822 4341
- SINALOA** **SUCURSAL CULIACÁN**
AV. JESÚS KUMATE SUR #4301, COL. HACIENDA DE LA MORA, C.P. 80143, CULIACÁN, SIN. TEL.: 667 173 9139 / 173 8400
- SONORA** **FIX FERRETERÍAS**
CALLE 5 DE FEBRERO #517, SUR LT. 25 MZ. 10, COL. CENTRO, C.P. 85000, CD. OBREGÓN, SON. TEL.: 644 413 2392
- TABASCO** **SUCURSAL VILLAHERMOSA**
CALLE HELIO LOTES 1, 2 Y 3 MZ. #1, COL. INDUSTRIAL, 2A ETAPA, C.P. 86010, VILLAHERMOSA, TAB. TEL.: 993 353 7244
- TAMAULIPAS** **VM ORINGS Y REFACCIONES**
CALLE ROSITA #527 ENTRE 20 DE NOVIEMBRE Y GRAL. RODRÍGUEZ, FRACC. REYNOSA, C.P. 88780, REYNOSA, TAMS. TEL.: 899 926 7552
- TLAXCALA** **SERVICIOS Y HERRAMIENTAS INDUSTRIALES**
PABLO SIDAR #132, COL. BARRIO DE SAN BARTOLOMÉ, C.P. 90970, SAN PABLO DEL MONTE, TLAX. TEL.: 222 271 7502
- VERACRUZ** **LA CASA DISTRIBUIDORA TRUPER**
BLVD. PRIMAVERA ESQ. HORTENSIA S/N, COL. PRIMAVERA, C.P. 93308, POZA RICA, VER. TEL.: 782 823 8100 / 826 8484
- YUCATÁN** **SUCURSAL MÉRIDA**
CALLE 33 #600 Y 602, LOCALIDAD ITZINCAB Y MULSAY, MPIO. UMÁN, C.P. 97390, MÉRIDA, YUC. TEL.: 999 912 2451

Model	Code	Brand
12497	DES-30C	TRUPER

Warranty. Duration: 1 year. Coverage: parts, components and workmanship against manufacturing or operating defects, except if used under conditions other than normal; when it was not operated in accordance with the instructive; was altered or repaired by personnel not authorized by TRUPER®. To make the warranty valid, present the product, stamped policy or invoice or receipt or voucher, in the establishment where you bought it or in Corregidora 35, Centro, Cuauhtémoc, CDMX, 06060, where you can also purchase parts, components, consumables and accessories. It includes the costs of transportation of the product that derive from its fulfillment of its service network. . Phone number 800-018-7873. Made in China. Imported by TRUPER, S.A. de C.V. Parque Industrial 1, Parque Industrial Jilotepec, Jilotepec, Edo. de Méx. C.P. 54257, Phone number 761 782 9100.

Stamp of the business. Delivery date:





Sello del establecimiento comercial. Fecha de entrega:

Garantía. Duración: 1 año. Cobertura: piezas, componentes y mano de obra contra defectos de fabricación o funcionamiento, excepto si se usó en condiciones distintas a las normales; cuando no fue operado conforme a las instrucciones; fue alterado o reparado por personal no autorizado por TRUPER®. Para hacer efectiva la garantía presente el producto, póliza sellada o factura o recibo o comprobante, en el establecimiento donde lo compró o en Correidora 35, Centro, Cuauhtémoc, CDMX, 06060, donde también podrá adquirir partes, componentes, consumibles y accesorios. Incluye los gastos de transporte del producto que deriven de su cumplimiento de su red de servicio. Tel. 800-018-7873. Made in/Hecho en China. Importador TRUPER, S.A. de C.V. Parque Industrial 1, Parque Industrial Jilotepec, Jilotepec, Edo. de Méx. C.P. 54257, Tel. 761 782 9100.

Modelo
12497

Código
DES-30C

Marca
TRUPER

TRUPER

**Póliza de
Garantía**

En caso de tener algún problema para contactar un Centro de Servicio autorizado TRUPER consulte nuestra página www.truper.com donde obtendrá un listado actualizado, o llame al: 800 690-6990 ó 800 0187-873 donde le informarán cuál es el Centro de Servicio más cercano.

- AGUASCALIENTES**
DE TODO PARA LA CONSTRUCCIÓN
 GRAL. BARRACÁN #1201, COL. GRENAL, C.P. 20030, AGUASCALIENTES, AGS. TEL.: 449 994 0557
- Baja CALIFORNIA**
SUCURSAL TIJUANA
 AV. LA ENCANTADA, LOTE #5, PARQUE INDUSTRIAL EL FLORIDO II, C.P. 22244, TIJUANA, B.C. TEL.: 664 969 5100
- Baja CALIFORNIA SUR**
FIX FERRERÍAS
 FELIPE ÁNGELÉS ESQ. RUIZ CORTINEZ S/N, COL. PUEBLO NUEVO, C.P. 25670, CD. CONSTITUCIÓN, B.C.S. TEL.: 615 152 1115
- CAMPESHE**
TORNILLERÍA Y FERRERÍA AAA
 AV. ALVARO OBREGÓN #524, COL. ESPERANZA C.P. 24080 CAMPESHE, CAMP. TEL.: 981 815 2808
- CHIAPAS**
FIX FERRERÍAS
 AV. CENTRAL SUR #27, COL. CENTRO, C.P. 30700, TAPACHULA, CHI. TEL.: 962 118 4083
- CHIHUAHUA**
SUCURSAL CHIHUAHUA
 AV. SILVESTRE TERREZAS #128-11, PARQUE INDUSTRIAL BARR, CARRETERA MEXICO CUAHTEMOC, C.P. 3145, CHIHUAHUA, CHIH. TEL.: 614 454 0052
- Ciudad DE MEXICO**
FIX FERRERÍAS
 EL MONSTRINO DE CORRECIORA, CORRECIORA # 35, CALLE METAL MECÁNICA #280, PARQUE INDUSTRIAL ORIENTE, C.P. 27278, TORMEÓN, COAH. TEL.: 871 209 68 25
- COAHUILA**
SUCURSAL TORMEÓN
 CALLE METAL MECÁNICA #280, PARQUE INDUSTRIAL ORIENTE, C.P. 27278, TORMEÓN, COAH. TEL.: 514 532 1986 / 532 8015
- COLIMA**
BOMBAS Y MOTORES BYMTESA DE MANZANILLO
 BVD. MIGUEL DE LA MARRID #190, COL. C. 16 DE SEPTIEMBRE, C.P. 28239, MANZANILLO, COL. TEL.: 618 818 2844
- DURANGO**
TORNILLAS AGUILA, S.A. DE C.V.
 MAZULIJO #300, COL. LUIS ECHVERRÍA, DURANGO, DGO. TEL.: 761 821 9101 EXT. 5728 Y 5102
- MEXICO**
SUCURSAL CENTRO JIOTEPÉC
 PARQUE INDUSTRIAL # 1, COL. PARQUE INDUSTRIAL JIOTEPÉC, JIOTEPÉC, EDO. DE MÉX. C.P. 54257
- GUANAJUATO**
Clá. FERRERÍA NUEVO MUNDO S.A. DE C.V.
 AV. MEXICO - APON #225, CD. INDUSTRIAL, C.P. 38010, CELMA, GTO. TEL.: 461 617 7578 / 79 / 80 / 88
- GUERRERO**
CENTRO DE SERVICIO EQUIPES
 CALLE PRINCIPAL MZ1 LT. 1, COL. SANTA FE, C.P. 39010, CHILPANCIÑO, GRO. TEL.: 747 478 5795
- HIDALGO**
FERRERRECIOS S.A. DE C.V.
 LIBERTAD ORIENTE #504 LOCAL 30, INTERIOR DE PASAJE ROBLEDO, COL. CENTRO, C.P. 45600, TULANGCIÑO, HGO. TEL.: 775 753 6615 / 775 753 6616
- JALISCO**
SUCURSAL GUADALAJARA
 AV. ADOLFO B. HORN # 6800, COL. SANTA CRUZ DEL VALLE, C.P.: 45655, TLAJAMULCO DE ZUÑIGA, JAL. TEL.: 33 5606 5285 AL 90
- MICHOCÁN**
FIX FERRERÍAS
 EX-HACIENDA DE LA HUERTA, C.P. 58050, MORELIA, MICH. TEL.: 443 334 6858

- Morelos**
FIX FERRERÍAS
 CAPITÁN ANZURES #95, ESQ. JOSÉ PERDIZ, COL. CENTRO, C.P. 62740, CUAUTLA, MOR. TEL.: 755 352 8931
- NAVARRA**
HERRAMIENTAS DE TEPIC
 MAZATLÁN #117, COL. CENTRO, C.P. 63000, TEPIC, NAY. TEL.: 511 258 0540
- Nuevo León**
SUCURSAL MONTERREY
 CARRETERA LAREDO #500, 18 MONTERREY PARKS, COLOMIA PUERTA DE ANHUAC, C.P. 66052, ESCOBEDO, NUEVO LEÓN, TEL.: 81 8352 8791 / 81 8352 8790
- Oaxaca**
FIX FERRERÍAS
 AV. 20 DE NOVIEMBRE #910, COL. CENTRO, C.P. 68300, TUXTEPEC, OAX. TEL.: 287 106 5092
- PUEBLA**
SUCURSAL PUEBLA
 AV. FERRERICO #2-A, SAN LORENZO ALMECATLA, C.P. 72710, CUAUTLA, OAX. TEL.: 222 282 8282 / 84 / 85 / 86
- QUERÉTARO**
ARU HERRAMIENTAS S.A. DE C.V.
 AV. PUERTO DE VERACRUZ #110, COL. RANCHO DE ENMEDIO, C.P. 76842, SAN JUAN DEL RÍO, QRO. TEL.: 427 268 4544
- QUINTANA ROO**
FIX FERRERÍAS
 CARRETERA FEDERAL MZ. 46 LT. 3 LOCAL 2, COL. ELDIAL, C.P. 77170, PLAZA DEL CARMEN, Q.R. TEL.: 984 267 3140
- SAN LUIS POTOSÍ**
FIX FERRERÍAS
 AV. UNIVERSIDAD #1800, COL. EL PASEO, C.P. 78320, SAN LUIS POTOSÍ, S.L.P. TEL.: 444 822 4541
- SINALOA**
SUCURSAL CUICUACÁN
 AV. JESUS KUWATÉ CUL #450, COL. HACIENDA DE LA MORA, C.P. 80145, CUICUACÁN, SIN. TEL.: 667 175 9159 / 175 8400
- SONORA**
FIX FERRERÍAS
 CALLE 5 DE FEBRERO #517, SUR IT. 25 MZ. 10, COL. CENTRO, C.P. 85000, CD. OBREGÓN, SON. TEL.: 644 415 2592
- TABASCO**
SUCURSAL VILLAHERMOSA
 2A ETAPA, C.P. 86010, VILLAHERMOSA, TAB. TEL.: 993 353 7244
- TAMAULIPAS**
VM ORINOS Y REACCIONES
 CALLE ROSITA #522 ENTRE 20 DE NOVIEMBRE Y GRAL. RODRÍGUEZ, FRACC. REYNOSA, C.P. 88780, REYNOSA, TAMS. TEL.: 899 926 7522
- TLAXCALA**
SERVICIOS Y HERRAMIENTAS INDUSTRIALES
 PABLO SIDAR #152, COL. BARRIO DE SAN BARTOLOMÉ, C.P. 90970, SAN PABLO DEL MONTE, TLAX. TEL.: 222 221 7502
- VERACRUZ**
LA CASA DISTRIBUIDORA TRUPER
 BVD. PRIMAVERA, ESQ. HORTENSIA S/N, COL. PRIMAVERA, C.P. 93508, POZA RICA, VER. TEL.: 782 823 8100 / 826 8484
- YUCATÁN**
SUCURSAL MÉRIDA
 CALLE 33 #600 Y 602, LOCALIDAD ITZINCAR Y MUISAY, MPÍO. UMMÁ, C.P. 97390, MÉRIDA, YUC. TEL.: 999 912 2451

Problema

Causa

Solución

El motor no arranca.

• No hay chispa.

• Revise la chispa. Retire la cubierta del motor. Retire la bujía del cilindro. Parte metálica tocando el cilindro. Tire de la pioleta y observe la chispa en el electrodo de la bujía. Si no la hay, repita la prueba con una bujía nueva.

• No tiene combustible.

• Presione el bulbo cebador hasta que el combustible sea visible en el bulbo. Si no se ve el combustible, significa que el sistema primario de suministro de combustible está bloqueado. Contacte un Centro de Servicio Autorizado TRUPER. En caso que el bulbo cebador se llene de combustible, es señal que el motor está ahogado.

• El motor está ahogado.

palanca del ahogador hacia abajo y tire del mango del arrancador de 15 a 20 veces para eliminar el exceso de combustible del motor. Limpie la bujía y vuelva a instalarla. Siga el procedimiento de arranque normal (consulte la página 8). Si no arranca el motor, mueva la palanca del ahogador hacia abajo y repita el procedimiento de arranque. Si el motor aún no arranca, repita el procedimiento con una bujía nueva.

• Lleve la herramienta a un Centro de Servicio Autorizado TRUPER que cuando nueva.

El motor arranca pero no acelera.

• El motor requiere de unos minutos para calentarse.

• Permita que el motor se caliente por completo. Si el motor no acelera después de tres minutos, contacte a su Centro de Servicio Autorizado TRUPER

El motor arranca pero solo va a velocidad alta con la mitad del ahogador.

• El carburador requiere de ajuste.

• Lleve la herramienta a un Centro de Servicio Autorizado TRUPER

El motor no alcanza la velocidad completa y emite demasiado humo.

• Revise la mezcla de aceite / combustible.

• Use combustible nuevo y la mezcla correcta de aceite para 2 tiempos.

• El filtro de aire está sucio.

• Limpie el filtro de aire. Consulte la página 10.

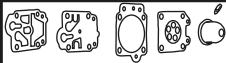




• La pantalla de la guarda anti chispas está sucia.

• Limpie la pantalla de la guarda anti chispas como se indica en la página 10.

El motor arranca, funciona y acelera pero no tiene ralentí.

• El tornillo de ralentí en el carburador necesita ajuste.

• Gire el tornillo de ralentí en sentido de las agujas del reloj para aumentar la velocidad.

Componente	Código	Clave	Descripción
	101795	KC-DES-30R	Kit de mantenimiento para carburador
	101814	CB-DES-GRUP02	Carburador
	16928	TAP-GRUP0-02	Tapas
	16929	REP-GRUP0-02	Carretes con hilo
	16927	RET-GRUP0-02	Retenedor

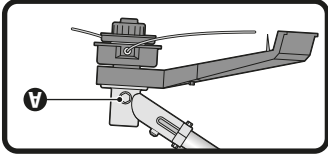
Listado de accesorios y repuestos disponibles

Mantenimiento periódico	Cada uso	Cada 25 h de uso	Cada 50 h de uso	Cada 150 h de uso	Cada 250 h de uso
Limpeza general					
Limpeza filtro de aire					
Lubricación de la caja de engranes de cabezal de corte					
Limpeza carburador *					
Inspección y ajuste de bujía *					
Limpeza de tanque de combustible **					
Cambio de filtro de combustible **					
Reemplazo de manguera de combustible **					
Limpeza de cámara de combustión **					

* Usuario capacitado o Centro de Servicio Autorizado TRUPER
 ** Centro de Servicio Autorizado TRUPER

Almacenamiento de la herramienta

- En caso de que almacene la herramienta durante un mes o más, tome en cuenta las siguientes consideraciones:
- Drene todo el contenido del tanque de combustible en un recipiente de uso aprobado para gasolina. Todo el sobrante debe reutilizarse en otro equipo con motor de dos tiempos con proporción de 50:1.
- Ponga a funcionar el motor hasta que consuma el resto del combustible y se apague por sí mismo. Así eliminará el combustible residual y evitará que se formen gummies de aceite que podrían dañar el sistema de combustible.
- Limpie la herramienta por completo.
- Almacene la unidad en un espacio ventilado, apartado de agentes corrosivos como productos químicos para jardín o sales para derretir hielo y lejos del alcance de los niños.
- Cumpla con todos los reglamentos gubernamentales relacionados con la seguridad en el manejo y almacenamiento de combustibles.



Mantenimiento

TRUPER

• Antes de inspeccionar, limpiar o dar servicio a la herramienta, apague el motor, espere a que todas las partes móviles se hayan detenido, desconecte el cable de la bujía y separelo de la bujía. De lo contrario puede sufrir lesiones de gravedad y/o daños al equipo.

Limpieza general

- Con un cepillo o aire comprimido limpie y despeje las ranuras de ventilación de la unidad del arrancador cada vez que sea necesario.
- De la misma forma limpie periódicamente las aletas del cilindro del motor y las aletas del ventilador para retirar cualquier impureza. De no hacerlo el motor puede dañarse debido a un recalentamiento.

Limpieza del filtro de aire

- Retire la tapa del filtro de aire aflojando el tornillo de la tapa.
- Retire el filtro del aire.
- Dependiendo del tiempo de uso puede dar al filtro una limpieza superficial con sólo golpearlo ligeramente contra una superficie lisa y plana para desalojar la mayoría de las partículas.
- También puede soplear el filtro con aire comprimido, hágalo por ambos lados.
- O para una limpieza más completa limpie el filtro del aire en agua jabonosa tibia, enjuáguelo y déjelo secar por completo antes de instalarlo de nuevo en la herramienta.
- Instale de nuevo el filtro del aire, verificando que empate en su lugar.
- Realice la limpieza del filtro de aire tan frecuentemente como sea necesario para mantenerlo siempre limpio, de lo contrario la eficiencia del motor puede disminuir.

Filtro de combustible

- Revise el filtro de gasolina con frecuencia.
- Si el filtro está sucio debe ser reemplazado.
- Si el interior del tanque de gasolina está sucio, enjuáguelo con gasolina.

Ajuste del carburador

- Se recomienda hacer los ajustes del carburador en un Centro de Servicio Autorizado TRUPER.
- Un ajuste incorrecto puede dañar el motor e invalidar la garantía.

Limpieza del escape y del silenciador

- El motor utiliza una bujía TORCH L8RTC con una separación de electrodos de 0.63 mm (0.025"). Reemplácelo la bujía por otra igual una vez al año.
- Con el motor totalmente frío, afloje la bujía gastada hacia la izquierda con una llave y retírela.
- Inserte la bujía nueva y aprétela con la mano hacia la derecha. Aprétela media vuelta más con la llave incluida.
- Tenga cuidado de no estropear la rosca de la bujía, de lo contrario resultaría seriamente dañado el motor.

Cambio de la bujía

- El escape y el silenciador se pueden tapar con depósitos de carbón, dependiendo del tipo de combustible, la cantidad de aceite utilizada y/o las condiciones en las que se utiliza la herramienta. Si nota pérdida de potencia se deberán retirar esos depósitos para restaurar el desempeño. Acuda a un Centro de Servicio Autorizado TRUPER para realizar este servicio.
- El silenciador está equipado con una pantalla anti-chispas dentro del silenciador. Después de usarse por largos períodos de tiempo la pantalla se ensucia y se debe reemplazar el silenciador. Acuda a un Centro de Servicio Autorizado TRUPER para realizar el reemplazo.
- Revise constantemente que el silenciador tenga debidamente asegurados los sujetadores y que no existan daños o corrosión. En caso de encontrar una fuga detenga la herramienta y llévela de inmediato a un Centro de Servicio Autorizado TRUPER para su reparación.

¡ATENCIÓN!

⚠ ATENCIÓN

• Recuerde que usted como operador de la desbrozadora es responsable de su seguridad, así como de quienes se encuentren cerca del área de trabajo. Siga todas las normas de seguridad (páginas 4 y 5) antes de operar la desbrozadora.

• Mantenga una postura equilibrada con ambos pies apoyados firmemente en el piso.

• Utilice el arnés para soportar el peso de la desbrozadora. Sosténgala con firmeza frente a usted con una mano en el mango y la otra en el mango auxiliar de manera que la desbrozadora quede alineada a su cuerpo y apuntando el

⚠ PELIGRO • No encienda ni opere la desbrozadora en cualquier otra posición.

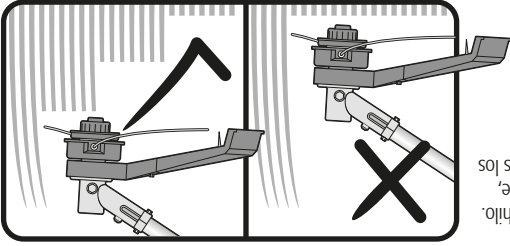
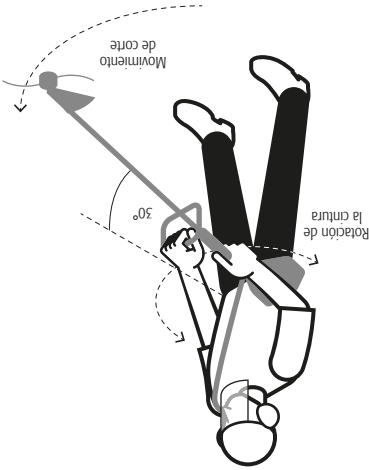
• Encienda la desbrozadora y realice los cortes de izquierda a derecha rotando su cintura manteniendo la posición de la desbrozadora.

• Conforme se realice el corte de pasto el hilo de corte se desgastará y terminará por desprenderse, para liberar más hilo del carrete presione un poco la desbrozadora hacia abajo para que el suelo presione la tapa de retención

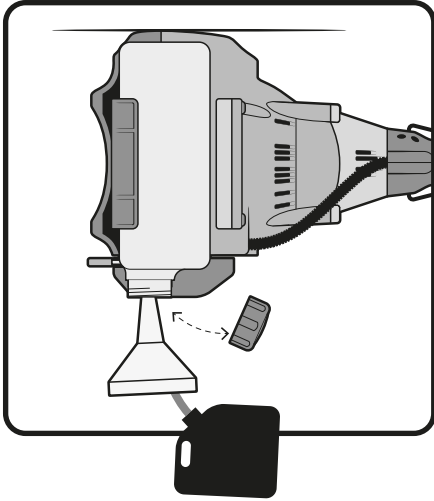
contra el carrete y libere más hilo. El sobrante será cortado por la cuchilla de la guarda, en ese instante deje de empujar la desbrozadora contra el piso para no gastar hilo.

• Para cortar maleza o pasto altos hágallo gradualmente, no intente cortarlo de una sola vez desde la base, pues los residuos pueden atascarse el cabezal de corte o hacerle perder el control de la desbrozadora.

Operación

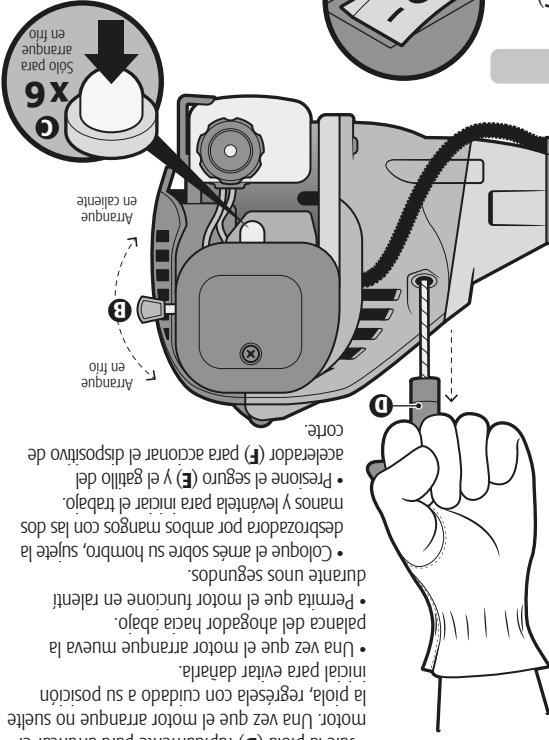


- Siga las advertencias de seguridad para el manejo de combustible (página 5).
- Espere a que el motor se enfríe por completo antes de abastecer el combustible.
- Coloque la desbrozadora sobre una superficie plana recostándola como se indica en el gráfico.
- Limpie alrededor de la tapa del tanque de combustible para evitar su contaminación.
- Afloje lentamente la tapa del tanque de combustible. Teniendo cuidado de evitar derrames vierta la mezcla de combustible en el tanque. **ATENCIÓN** Siga las especificaciones del combustible (página 5).
- Antes de tapar el tanque de combustible revise y limpie la junta.
- Coloque de inmediato la tapa del tanque de combustible y apriétela con la mano.
- Limpie todo derrame de combustible.
- ATENCIÓN** En un motor nuevo, es normal que haya emisiones de humo durante y después de usarse por primera vez.



Encendido

- Jale la pioleta (D) rápidamente para arrancar el motor. Una vez que el motor arranque no suelte la pioleta, regrésela con cuidado a su posición inicial para evitar dañarla.
- Una vez que el motor arranque mueva la palanca del ahogador hacia abajo.
- Permita que el motor funcione en ralentí durante unos segundos.
- Coloque la desbrozadora por ambos mangos con las dos manos y levántela para iniciar el trabajo.
- Presione el seguro (E) y el gatillo del acelerador (F) para accionar el dispositivo de corte.



Arranque del motor

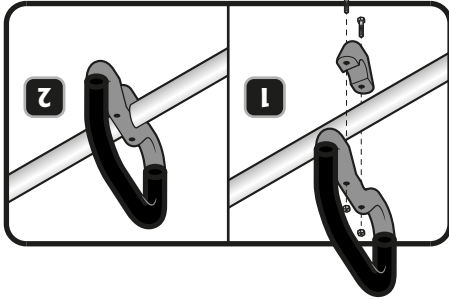
- Coloque la desbrozadora en suelo nivelado en donde el cabezal de corte no haga contacto con ningún obstáculo.
- Coloque el interruptor en la posición de encendido (A).
- En caso de que el motor esté frío mueva la palanca del ahogador (B) hacia arriba. Oprima y suelte el bulbo cebador 6 veces (C).
- En caso de que el motor esté caliente mueva la palanca del ahogador hacia abajo. No use el bulbo cebador.

Apagado del motor

- Suelte el seguro (E) y el gatillo del acelerador (F).
- Coloque el interruptor en la posición de apagado (G).

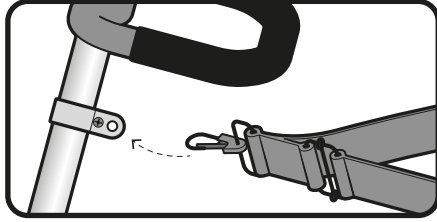
Mango

- Instale el mango auxiliar como se muestra en la imagen.
- Recorra el mango auxiliar por el eje de la desbrozadora a una altura adecuada para operar cómodamente.
- Apriete los tornillos para fijar su posición.



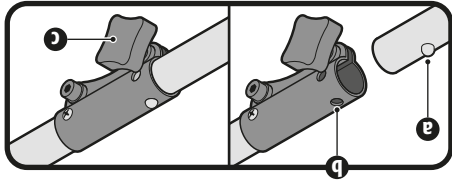
Arnes

- Coloque el arnés en la argova del mango para sostener la desbrozadora con el hombro.



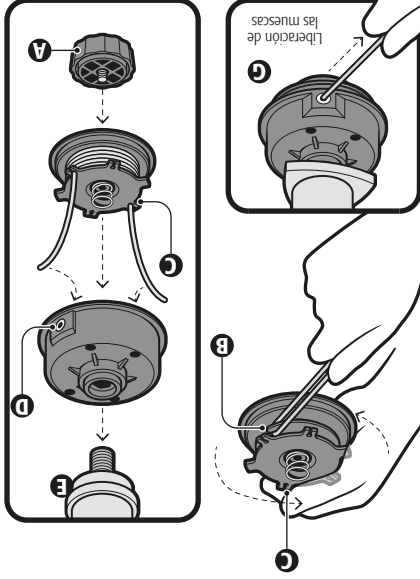
Eje

- Alinee el pasador de seguridad (a) del eje inferior con el orificio intermedio de la abrazadera (b).
- Presione el pasador de seguridad hacia abajo e inserte el eje inferior en la abrazadera.
- Sujete el pasador de seguridad; asegúrese de que encaje en el orificio del eje superior.
- Apriete la perilla de bloqueo en sentido a las manecillas del reloj para asegurar la conexión (c).



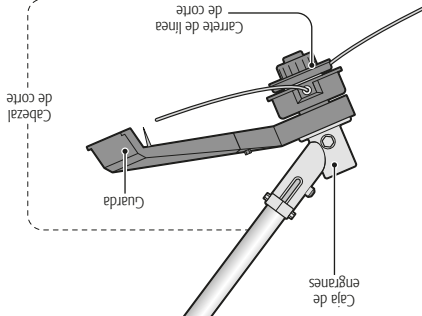
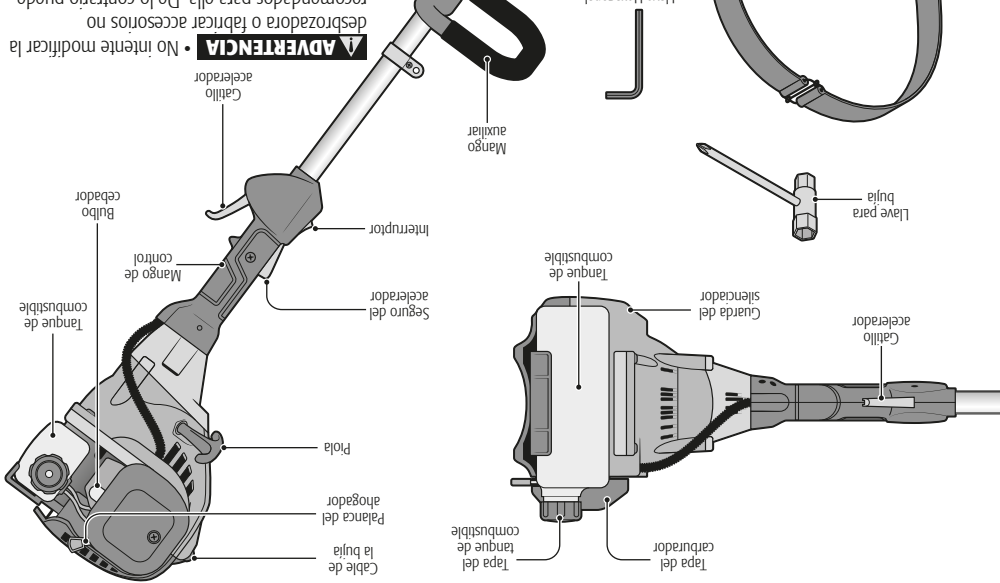
Reemplazo y montura de hilo de corte

- Con la desbrozadora apagada retire la tapa de retención del carrete (A) girándola en sentido a las manecillas del reloj.
- Retire el carrete vacío, asegúrese de que esté limpio y que no tenga partes dañadas o gastadas.
- Corte una pieza de hilo de corte de 6 m. Forme un rizo en el medio de la línea e inserte este rizo en el gancho interior del carrete (B). Tome el hilo y enrédalo en el sentido contrario de las manecillas del reloj. Asegúrese de que cada extremo del hilo se enrrede en su sección respectiva (superior e inferior). No enrrede demasiado hilo, después de enrredado debe quedar una distancia mínima de 6 mm entre el borde del carrete y el hilo enrredado.
- Deje sin enrredar aproximadamente 15 cm de ambos extremos de hilo e inserte cada uno en una de las muescas del carrete (C), para que el hilo no se desenrede mientras instala el carrete en la desbrozadora, más adelante deberá liberar los hilos de sus muescas.
- Coloque de nuevo el carrete en su cubierta haciendo pasar los extremos de cada hilo por los orificios de la cubierta (D). Si el hilo se suelta o enrreda en este paso vuelva a enrredarlo en el carrete y asegúrelo en sus muescas.
- Coloque la cubierta del carrete en el eje (E) y asegure el carrete apretando la tapa de retención (A).
- Jale hacia afuera y con fuerza ambos extremos del hilo de corte para liberarlo de las muescas de la parte superior del carrete (G).



TRUPER

Partes



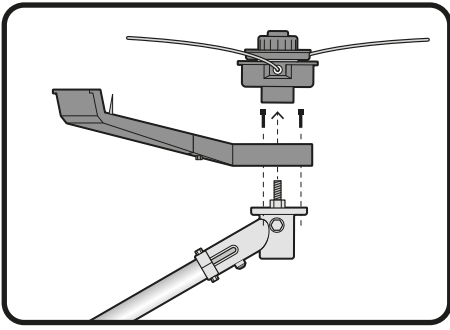
Guarda

Ensamblado

- Instale la guarda en la caja de engranes antes de instalar el carrete de corte.
- Fije la guarda con los tres tornillos allen incluidos.
- Recuerde instalar debidamente la guarda antes de encender la desbrozadora.
- Tenga cuidado de no tocar el filo de la cuchilla para cortar el hilo de corte.

ADVERTENCIA • No intente modificar la desbrozadora o fabricar accesorios no recomendados para ella. De lo contrario puede sufrir lesiones personales serias e invalidar la garantía.

ADVERTENCIA • Siempre que ensamble las piezas desconecte el cable de la bujía del motor, con el fin de prevenir un arranque accidental que pueda ocasionar lesiones personales serias.



Manejo de combustible

- Nunca fume cerca del combustible, ni de la zona en donde se abastezca de la gasolina, ni donde prepare la mezcla con el aceite, ni al operar la desbrozadora.
- Para reducir el riesgo de incendio o quemaduras desenchufe el combustible con cuidado, es muy inflamable.
- No permita que la gasolina o el aceite tengan contacto con la piel.
- Protéjase los ojos para evitar salpicaduras de la gasolina y el aceite. En caso de contacto accidental lávelos inmediatamente con agua limpia. Si persiste la irritación acuda a un médico.
- Mezcle y almacene el combustible en un recipiente diseñado para tal fin.



- Mezcle el combustible al aire libre lejos de cualquier chispa o llama.
- Antes de reabastecer la desbrozadora de combustible apague el motor, cóbrala en suelo despejado y espere a que el motor se enfríe.
- Limpie todo el combustible que pueda haber caído en la desbrozadora antes de operarla.
- **ATENCIÓN** • Revise si hay fugas de combustible, de ser así corrijalas antes de usar la desbrozadora, para evitar incendios o lesiones por quemadura.
- Aleje la desbrozadora por lo menos 9 metros (30 pies) del lugar de carga de combustible antes de reanar el motor.
- Bajo ninguna circunstancia queme el combustible derramado para eliminarlo.
- For ningún motivo utilice cualquier otro tipo de combustible que el especificado para la desbrozadora en este instructivo.

Antes de operar la desbrozadora

- Equípese con ropa adecuada para operar la desbrozadora: ropa ajustada, pantalones gruesos, botas de seguridad antiestáticas, guantes protectores para trabajo pesado, y anteojos de seguridad con protección lateral bajo la norma ANSI Z87.1.



- **ADVERTENCIA** • Retírese cualquier accesorio o ropa holgada que pueda ser atrapado por el cabezal de hilo en movimiento. Recójase el cabello para que quede por arriba del nivel de los hombros.
- Asegúrese de que la desbrozadora se encuentre en perfectas condiciones. No la encienda si se encuentra mal ajustada o no está armada completamente de manera que funcione de forma segura o el tanque de combustible presente alguna fuga o tiene algún tornillo flojo.
- Asegúrese de que la desbrozadora se encuentre limpia, seca y libre de aceite o combustible.
- Asegúrese de que el área de trabajo se encuentra en una área abierta y bien ventilada.
- Revise el área de trabajo y retire cualquier piedra, vidrios rotos, clavos, alambre o cuerda. Pies podrían ser lanzados o entredarse en la desbrozadora.
- En temperaturas extremas revise que no hayan formaciones de hielo o condensación en la desbrozadora.

Al operar la desbrozadora

- La visibilidad y condiciones de luz deben ser adecuadas para ver claramente, de lo contrario no utilice la desbrozadora.
- No use la desbrozadora sin la guarda, o si está presente algún daño o no cuenta con todas sus partes.

ATENCIÓN

- Mantenga a los transeúntes, niños y animales alejados, a no menos de 15 m de distancia.
- Asegúrese de que los hilos de corte no estén en contacto con algún objeto antes de arrancar el motor.

ADVERTENCIA

- Mantenga ambos pies apoyados firmemente en el piso y ambas manos sujetando la desbrozadora por los mangos, jamás la opere con una sola mano, de lo contrario pueden resultar lesionados el operador, y demás personas presentes.

- Mantenga todas las partes del cuerpo alejadas del cabezal de corte cuando esté funcionando el motor.
- Siempre mantenga el cabezal de corte apuntando hacia abajo, por debajo del nivel de su cintura y jamás lo levante más de 75 cm del suelo.
- Mantenga toda la desbrozadora para cortar maleza leñosa. Este atento a riesgos en su entorno, el ruido de la desbrozadora puede producirle una quemadura seria.
- Mantenga alejada la desbrozadora de materiales inflamables.

PELIGRO

- En caso de realizar trabajos cerca de vías de tránsito suspenda el corte hasta que no haya vehículos a la vista. La desbrozadora podría lanzar partículas hacia los vehículos en movimiento y pueden desencadenar un accidente grave.

Después de operar la desbrozadora

- No intente detener el movimiento giratorio del cabezal de corte de ninguna otra forma que apagando el interruptor. Espere a que se detenga por sí mismo después de apagar la desbrozadora, esto demorará unos cuantos segundos.
- Siempre traslade la desbrozadora con el motor apagado, y con el silenciador alejado del cuerpo. Antes de subir a un vehículo vacíe el tanque de combustible.

ATENCIÓN

- Siempre traslade la desbrozadora en reposo la desbrozadora. NO deje el motor funcionando sin prestarle atención. Deje que se enfríe antes de almacenar la desbrozadora.

ADVERTENCIA

- Apague el motor antes de poner la desbrozadora a trabajar.

ATENCIÓN

- El servicio y reparación de la desbrozadora debe de ser realizado sólo por un Centro de Servicio Autorizado TRUPER.

Mantenga su área de trabajo limpia, ordenada y bien iluminada.

⚠ ATENCIÓN Áreas desordenadas y oscuras pueden provocar accidentes.

Nunca utilice la desbrozadora en ambientes explosivos, o en presencia de líquidos inflamables.

⚠ PELIGRO Añeje la desbrozadora al menos 9 metros (30 pies) del lugar de reargas de combustible antes de arrancar el motor.

Mantenga a los niños y a otras personas a una distancia segura mientras utiliza la desbrozadora.

⚠ ADVERTENCIA Las distracciones pueden hacerle perder el control y provocar accidentes.

Evite hacer contacto con líneas y circuitos eléctricos.

⚠ PELIGRO Ubique y evite todas las líneas y circuitos eléctricos, especialmente el cableado oculto.

Así como cualquier objeto conectado a tierra.

Este siempre alerta, sea prudente y utilice el sentido común.

⚠ ATENCIÓN No deje que la familiaridad con el uso de la desbrozadora lo distraiga mientras la utiliza. Esto puede provocar accidentes.

No utilice la desbrozadora si está cansado, o bajo la influencia de drogas, alcohol o medicamentos.

⚠ PELIGRO Un momento de distracción mientras utiliza la desbrozadora puede provocar lesiones personales graves.

Utilice la desbrozadora con sus guardas y protectores en su lugar y en buen estado.

⚠ ADVERTENCIA De no hacerlo se expone a lesiones personales graves.

Nunca fuerce la desbrozadora.

⚠ ATENCIÓN Trabajar dentro del rango para el que fue diseñada asegura un mejor trabajo y es más seguro.

Guardé la desbrozadora en un lugar seguro fuera del alcance de los niños.

⚠ ADVERTENCIA Las desbrozadoras motorizadas son peligrosas en manos inexpertas.

Utilice la indumentaria adecuada.

⚠ ADVERTENCIA La ropa suelta, joyas o cabello largo pueden ser atrapados por las piezas móviles.

Mantenga las manos alejadas de las partes giratorias y/o móviles.

⚠ ADVERTENCIA De no hacerlo se expone a lesiones personales graves.

No utilice la desbrozadora en espacios encerrados.

⚠ PELIGRO Para evitar respirar la acumulación de monóxido de carbono, gas inodoro tóxico y potencialmente mortal.

Advertencias de Seguridad para herramientas motorizadas

Utilice equipo adecuado de protección personal.

⚠ ATENCIÓN Usar protección para los ojos, mascarillas antipolvo, zapatos de seguridad antideslizantes, casco, protección para los oídos y guantes de seguridad, reduce considerablemente el riesgo de lesiones.



Apague la desbrozadora antes de hacer ajustes, cambiar sus accesorios o guardarla.

⚠ ADVERTENCIA Asegúrese de que el interruptor de la desbrozadora esté en posición de apagado.

Nunca utilice la desbrozadora si el interruptor no funciona o no está debidamente ensablada.

⚠ ADVERTENCIA De hacerlo se expone a lesiones personales graves, repárela inmediatamente en un Centro de Servicio Autorizado TRUPER.

No sobre extienda su campo de acción.

⚠ ATENCIÓN Un buen apoyo y equilibrio permiten un mejor control de la desbrozadora en situaciones inesperadas.

Evite incendios accidentales.

⚠ ADVERTENCIA Asegúrese de que el motor de la desbrozadora esté apagado antes de dejarla o darle mantenimiento.

Retire cualquier llave de ajuste antes de encender la desbrozadora.

⚠ PELIGRO Herramientas adicionales o llaves colocadas en una pieza giratoria de la desbrozadora puede provocar lesiones personales graves.

Dele mantenimiento a la desbrozadora y cerciórese que se encuentre en condiciones óptimas antes de utilizarla.

⚠ ATENCIÓN Revise cuidadosamente sus partes móviles, su alineación y montaje. Hágalo periódicamente. Busque cualquier elemento dañado o pieza que no funcione adecuadamente para su inmediata reparación en un Centro de Servicio Autorizado TRUPER.

Accesorios.

⚠ ATENCIÓN Utilice sólo los accesorios o refacciones indicados en este instructivo o certificados por TRUPER.

Nunca deje la desbrozadora en marcha sin supervisión.

⚠ PELIGRO Apague la desbrozadora después de operarla y antes de colocarla en un lugar seguro para evitar accidentes graves.

Nunca fume cerca del combustible.

⚠ PELIGRO No fume cerca de la zona en donde se abastezca de combustible, ni al operar la desbrozadora.



Especificaciones técnicas

TRUPER

DES-30R

12497

• Código	12497
• Descripción	Desbrozadora a gasolina de eje recto
• Peso neto	5.9 kg (sin combustible)
• Tanque de combustible	500 ml
• Desplazamiento del motor	30 cc (cm ³)
• Desempeño máximo del motor	1.2 Hp (895 W)
• Velocidad	8 000 r/min
• Cabeza de corte	Carrete de nailon
• Diámetro de corte	17" (43 cm)
• Diámetro de hilo de nailon	De 2.0 mm a 2.7 mm
• Tipo de mango	Mango D
• Ciclo de trabajo	30 minutos de descanso por cada tanque consumido. Máximo diario 6 horas.

Especificaciones de combustible

Para mejor desempeño y durabilidad utilice gasolina tipo de alto octanaje. En México sugerimos usar gasolina tipo PREMIUM.



• La desbrozadora tiene un motor de 2 tiempos enfriado por aire que utiliza una mezcla de gasolina sin plomo y aceite automotrizante de alta calidad para motor de dos tiempos enfriado por aire.

• El motor está certificado para funcionar con gasolina sin plomo para vehículos con un octanaje de 87 ((R+M)/2) o más. No use ningún tipo de gasolina premezclada con aceite adquirida en gasolineras, como la destinada a motocicletas.

• No use aceite de uso automotor ni aceite para motores fuera de borda de 2 tiempos. La relación de la mezcla debe de ser de 50 tantos de gasolina por 1 de aceite (proporción 50:1). Prepare la mezcla en un recipiente aprobado para gasolina. Siempre mezcle bien antes de verterlo en el tanque del motor.

ATENCIÓN No utilice mezcla de combustible almacenada durante más de 15 días. Haga la mezcla en pequeñas cantidades. Nunca fume cerca del combustible, ni de la zona en donde se abastezca de la gasolina, ni donde



ADVERTENCIA Cualquier intento de arrancar la herramienta sin añadirle aceite a la mezcla de combustible provocará fallas en

el motor.

Utilice la tapa de los aceites**ACES-2, ACES-5 o ACES-20 TRUPER como medida para preparar la mezcla. Mezcle 4 tapas de aceite con cada litro de gasolina.

Una mezcla incorrecta puede provocar que la máquina sufra daños severos, ocasionando costosas reparaciones.



4 tapas de aceite	+	Gasolina tipo PREMIUM	=	Mezcla 50:1
-------------------	---	-----------------------	---	-------------

* 1 galón = 3.78 litros
** No incluidos
Para alargar la vida útil del motor use aceite sintético TRUPER para motores de 2 tiempos.

- ⚠ Realice **MANTENIMIENTO** periódico a su máquina (página 10).
- ⚠ **SIEMPRE** opere su desbrozadora a **MÁXIMA POTENCIA** con el gatillo acelerador **TOTALMENTE** apretado
- ⚠ Siempre **USE** la **GUARDA** de seguridad y utilice hilo de nylon con un **DIÁMETRO** de 2.0 mm a 2.7 mm
- ⚠ **NO** utilice una **MEZCLA** de gasolina que haya estado almacenada durante más de **15 días**.
- ⚠ Para mejor desempeño y durabilidad, utilice gasolina de **PREMIUM** mezcla con **ACEITE** para motor de **2** tapas de aceite **50:1** + Gasolina tipo **PREMIUM** Mezcla

Recomendaciones de uso y cuidados



ATENCIÓN
 Para poder sacar el máximo provecho de la herramienta, alargue su vida útil, hacer válida la garantía en caso de ser necesario y evitar riesgos o lesiones fatales, es fundamental leer y comprender este instructivo por completo antes de usar la herramienta.
 Guarde este instructivo para futuras referencias.
 Los gráficos de este instructivo son para referencia, pueden variar del aspecto real de la herramienta.

- 3 Especificaciones técnicas
- 3 Especificaciones de combustible
- 4 Para herramientas motorizadas
- 5 Advertencias de seguridad
- 5 Para uso de desbrozadoras
- 6 Partes.
- 6 Ensamblado
- 8 Abastecimiento de combustible
- 8 Encendido
- 9 Operación
- 10 Mantenimiento
- 11 Estado de accesorios y repuestos disponibles.
- 11 Listado de accesorios y repuestos disponibles.
- 12 Solución de problemas.
- 13 Centros de servicio autorizados.
- 14 Póliza de garantía.

Instrutivo de Desbrozadora a gasolina

DES-30R

Este instrutivo es para:
Código 12497
Modelo DES-30R

Motor
30 cm³ (CC)



Lea este instrutivo por completo antes de usar la herramienta.



ATENCIÓN

