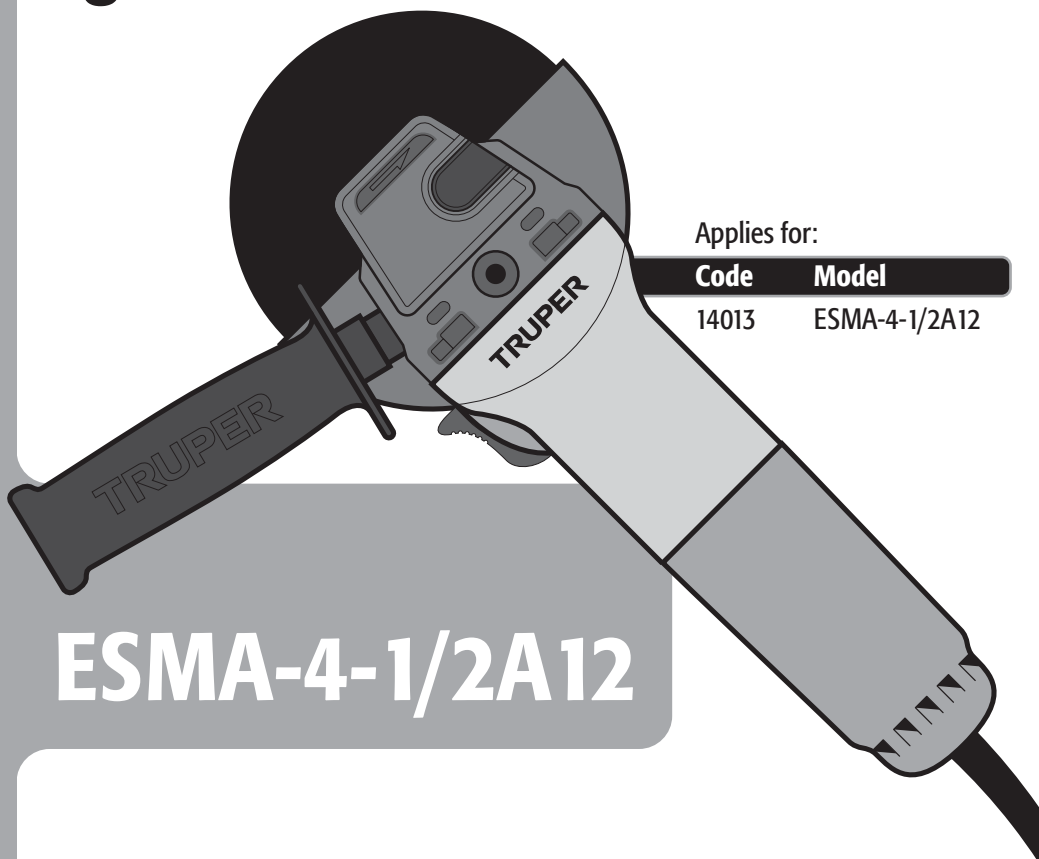


Manual

## Angle grinder

**0.9 Hp**  
Power

**4 1/2"**  
Wheel



Applies for:

Code	Model
14013	ESMA-4-1/2A12



# ESMA-4-1/2A12

**CAUTION**



Read this manual thoroughly  
before using the tool.



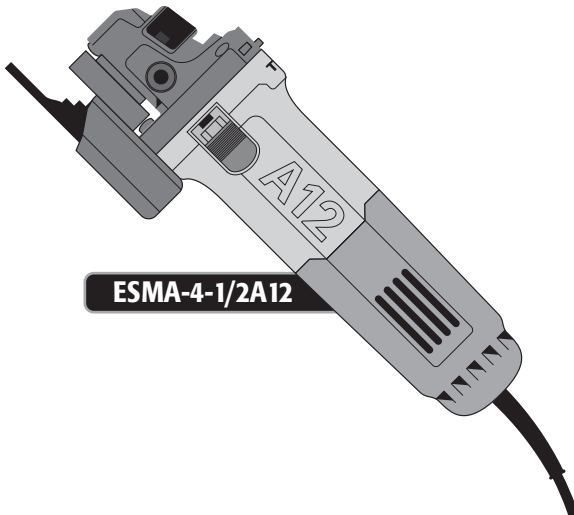
Technical Data .....	<b>3</b>
Power Requirements .....	<b>3</b>
 General power tool safety warnings .....	<b>4</b>
 Safety warnings for angle grinders .....	<b>5</b>
Parts .....	<b>7</b>
Assembly .....	<b>7</b>
Start Up .....	<b>8</b>
Maintenance .....	<b>9</b>
Notes .....	<b>10</b>
Authorized Service Centers .....	<b>11</b>
Warranty Policy .....	<b>12</b>

### **CAUTION**

To gain the best performance of the tool, prolong the duty life, make the Warranty valid if necessary, and to avoid hazards of fatal injuries please read and understand this Manual before using the tool.

Keep this manual for future references.

The illustrations in this manual are for reference only. They might be different from the real tool.



**ESMA-4-1/2A12**

## ESMA-4-1/2A12

Code	•	14013
Description	•	Angle grinder
Discs	•	4 1/2"
Voltage	•	127 V ~
Frequency	•	60 Hz
Current	•	5.1 A
Power	•	0.9 Hp
Speed	•	11 000 RPM
Duty cycle	•	30 minutes work per 15 minutes idle. Maximum 3 hours per day.
Conductors	•	18 AWG x 2C with insulating temperature of 221 °F
Insulation	•	Class II
		IP Grade
		IP20

Power Cord Grips used in this product: Type Y  
Tool Build Quality: Reinforced.  
Thermal insulation on motor winding: Class B

**⚠ WARNING** Avoid the risk of electric shock or severe injury. When the power cable gets damaged it should only be replaced by the manufacturer or at a **TRUPER** Authorized Service Center. The build quality of the electric insulation is altered if spills or liquid gets into the tool while in use. Do not expose to rain, liquids and/or dampness.

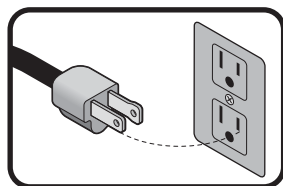
**⚠ WARNING** Before gaining access to the terminals all power sources should be disconnected.



## Power Requirements

**⚠ WARNING** Tools with double insulation and reinforced insulation are equipped with a polarized plug (one prong is wider than the other). This plug will only fit in the right way into a polarized outlet. If the plug cannot be introduced into the outlet, reverse the plug. If it still doesn't fit, call a qualified electrician to install for you a polarized outlet. Do not alter the plug in any way. Both insulation types eliminate the need of both a grounded third power cord with three prongs or a grounded power connection.

**⚠ WARNING** When using an extension cable, verify the gauge is enough for the power that your product needs. A lower gauge cable will cause voltage drop in the line, resulting in power loss and overheating. The following table shows the right size to use depending on cable's length and the ampere capability shown in the tool's nameplate. When in doubt use the next higher gauge.



Ampere Capacity	Number of Conductors	Extension gauge	
		from 6' to 49'	higher than 49'
from 0 A and up to 10 A	3 (one grounded)	18 AWG(*)	16 AWG
from 10 A and up to 13 A		16 AWG	14 AWG
from 13 A and up to 15 A		14 AWG	12 AWG
from 15 A and up to 20 A		8 AWG	6 AWG

\* It is safe to use only if the extensions have a built-in artifact for over current protection.  
AWG = American Wire Gauge. Reference: NMX-J-195-ANCE

**⚠ WARNING** When operating power tools outdoors, use a **VOLTECK** grounded extension cable labeled "For Outdoors Use". These extensions are specially designed for operating outdoors and reduce the risk of electric shock.





## General power tool safety warnings



**⚠ WARNING! Read carefully all safety warnings and instructions listed below.** Failure to comply with any of these warnings may result in electric shock, fire and / or severe damage. **Save all warnings and instructions for future references.**

### Work area

**Keep your work area clean, and well lit.**

Cluttered and dark areas may cause accidents.



**Never use the tool in explosive atmospheres, such as in the presence of flammable liquids, gases or dust.**

Sparks generated by power tools may ignite the flammable material.



**Keep children and bystanders at a safe distance while operating the tool.**

Distractions may cause losing control.



### Electrical Safety

**The tool plug must match the power outlet. Never modify the plug in any way. Do not use any adapter plugs with grounded power tools.**

Modified plugs and different power outlets increase the risk of electric shock.



**Avoid direct contact with grounded surfaces, such as pipes, radiators, electric ranges and refrigerators.**

The risk of electric shock increases if your body is grounded.

**Do not expose the tool to rain or wet conditions.**

Water entering into the tool increases the risk of electric shock.

**Do not force the cord. Never use the cord to carry, lift or unplug the tool. Keep the cord away from heat, oil, sharp edges or moving parts.**

Damaged or entangled cords increase the risk of electric shock.

**When operating a tool outdoors, use an extension cord suitable for outdoor use.**

Using an adequate outdoor extension cord reduces the risk of electric shock.

**If operating the tool in a damp location cannot be avoided, use a ground fault circuit interrupter (GFCI) protected supply.**

Using a GFCI reduces the risk of electric shock.

### Personal safety

**Stay alert, watch what you are doing and use common sense when operating a tool. Do not use a power tool while you are tired or under the influence of drugs, alcohol or medication.**

A moment of distraction while operating the tool may result in personal injury.

**Use personal protective equipment. Always wear eye protection.**

Protective equipment such as safety glasses, anti-dust mask, non-skid shoes, hard hats and hearing protection used in the right conditions significantly reduce personal injury.



**Prevent unintentional starting up. Ensure the switch is in the "OFF" position before connecting into the power source and / or battery as well as when carrying the tool.**

Transporting power tools with the finger on the switch or connecting power tools with the switch in the "ON" position may cause accidents.

**Remove any wrench or vice before turning the power tool on.**

Wrenches or vices left attached to rotating parts of the tool may result in personal injury.

**Do not overreach. Keep proper footing and balance at all times.**

This enables a better control on the tool during unexpected situations.

**Dress properly. Do not wear loose clothing or jewelry. Keep hair, clothes and gloves away from the moving parts.**

Loose clothes, jewelry or long hair may get caught in moving parts.



**If you have dust extraction and recollection devices connected onto the tool, inspect their connections and use them correctly. Using these devices reduce dust-related risks.**

### Power Tools Use and Care

**Do not force the tool. Use the adequate tool for your application.**

The correct tool delivers a better and safer job at the rate for which it was designed.



**Do not use the tool if the switch is not working properly.**

Any power tool that cannot be turned ON or OFF is dangerous and should be repaired before operating.

**Disconnect the tool from the power source and / or battery before making any adjustments, changing accessories or storing.**

These measures reduce the risk of accidentally starting the tool.

**Store tools out of the reach of children. Do not allow persons that are not familiar with the tool or its instructions to operate the tool.**

Power tools are dangerous in the hands of untrained users.



**Service the tool. Check the mobile parts are not misaligned or stuck. There should not be broken parts or other conditions that may affect its operation. Repair any damage before using the tool.**

Most accidents are caused due to poor maintenance to the tools.



**Keep the cutting accessories sharp and clean.**

Cutting accessories in good working conditions are less likely to bind and are easier to control.

**Use the tool, components and accessories in accordance with these instructions and the projected way to use it for the type of tool when in adequate working conditions.**

Using the tool for applications different from those it was designed for, could result in a hazardous situation.

### Service

**Repair the tool in a TRUPER<sup>®</sup> Authorized Service Center using only identical spare parts.**

This will ensure that the safety of the power tool is maintained.



This tool is in compliance with the Official Mexican Standard (NOM - Norma Oficial Mexicana).

# Safety warnings for angle grinders

This power tool is intended to function as a cutting tool. Read all safety warnings, instructions and specifications provided. Failure to follow the instructions outlined below may result in electric shock, fire and/or serious injury.

# TRUPER<sup>®</sup> PRO

## Select the right disc

**⚠ CAUTION** • Never use discs with bigger diameter than the size required in the tool.

**⚠ WARNING** • Use only discs or accessories than 11 000 RPM speeds.

The rated speed of the accessory must be at least equal to the maximum speed marked on the tool. Accessories running faster than their rated speed may break and become detached.

**⚠ CAUTION** • Use only discs or accessories with an orifice that fits perfectly in the tool spindle.

**⚠ CAUTION** • Use only discs or accessories specifically designed for the chosen material.

Keep present people at a safe distance from the work area. Anyone entering the work area should wear personal protective equipment.

## Before operating the grinder

• Set apart some time and assess the job you are about to do. Pay attention to all the necessary cautions before starting to grind.

**⚠ DANGER** • Remove all the fastening wrenches from the tool. Otherwise they can shoot away causing severe injuries to the user.

**⚠ WARNING** • Double-check the guard. It should be perfectly fastened and in good working condition. Do not use the tool without a guard. Fragments of workpieces or a broken accessory can break off and cause damage beyond the immediate area of operation.

**⚠ CAUTION** • Double-check the disc. It should not be broken or cracked. Tap the disc gently with a wooden hammer and listen for a strange sound to learn if is cracked.

**⚠ DANGER** • Before plugging the tool, see if it is in the OFF position. Otherwise the tool could start unexpectedly causing severe injuries.

**⚠ CAUTION** • Run the tool 30 seconds before using, to detect important vibration or any type of unusual movement. If detected, unplug the tool and take it to a TRUPER<sup>®</sup> Authorized Service Center.

**⚠ CAUTION** • See if the disc rotates freely.

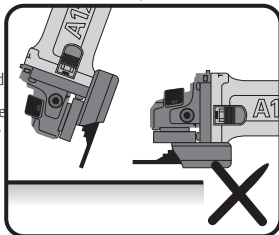
• Do not tighten the disc. It could brake.

**⚠ WARNING** • To work with small work pieces fasten with wrenches. Never use your hands to hold the piece.

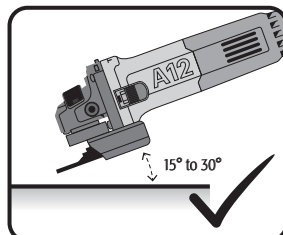
**⚠ DANGER** Do not place saw discs for wood or a serrated blade. Such blades create frequent kickbacks and loss of control.

Operations for which this power tool is not designed may result in an accident and cause personal injury. It is not recommended to use this power tool in operations such as sanding, brushing or polishing

Do not use accessories that are not specifically designed and recommended by the manufacturer.



Wrong way to operate the grinder



Right way to operate the grinder

## While operating the grinder

**⚠ CAUTION** Do not start the tool when the disc is touching the work piece.

**⚠ WARNING** • Wear safety glasses, gloves and an apron when using the tool.

**⚠ WARNING** • Keep the power cable or extension in the back of the tool. Avoid accidentally damaging the cables with the disc.

• If control of the power tool is lost, the cable may be cut or tangled and the operator's arm or hand may be pulled toward the rotary attachment.

**⚠ WARNING** • Never hold the tool by the power cable. Hold by the housing or auxiliary handle.

**⚠ CAUTION** • Hold the tool by the isolated parts. The cutting tool could come into contact with hidden wiring or its own cable. Making contact with a "live" wire causes the metal parts to electrify and give an electric shock to the user.

• Never let go of the power tool until the attachment comes to a complete stop.

• Never hit the work surface with the disc.

**⚠ CAUTION** • To get the best result with the grinding process, the inclination of the disc and the working surface should have an angle measuring 15° to 30°

**⚠ DANGER** • When the disc is rotating never use the spindle lock to stop it. It is very dangerous and may cause injuries to the user.

**⚠ CAUTION** • Do not touch the disc or the working piece after grinding. Wait for them to cool down. Never try to cool them down using water or oil.

**⚠ WARNING** • Before checking, adjusting or changing discs, double-check the tool is not plugged in.  
• Do not use the power tool near flammable materials.  
• Do not operate the tool while it is being transported to your side.

**⚠ DANGER** • Sparks caused when grinding may be dangerous. Use caution. Make sure sparks do not get into contact with skin or flammable substances.

• Gradually clean the tool's vents. The motor fan directs dust into the housing and excessive accumulation of metal dust can cause an electrical hazard.

• Do not use accessories that require liquid refrigerants. The use of water or other liquid refrigerants can result in an electric shock.

The outer diameter and thickness of the accessories must be within the assigned capacity. Incorrectly sized accessories cannot be properly protected or controlled. For best results use 4 1/2" (115 mm) cutting discs with 1 mm - 6.4 mm thickness

### **⚠ DANGER** KICKBACK (Sharp Recoil)

Kickback (sharp recoil) is a sudden reaction when a rotating wheel, backrest, brush, or other accessory gets stuck or snagged. Stalling or snagging causes rapid stalling of the rotary attachment which in turn causes the power tool to be forced uncontrollably in the direction opposite to the rotation of the attachment at the working point.

An abrasive disc jams into the workpiece, the edge of the contacting disc can be pinched into the surface of the material causing the disc to stop, creating a kickback (sudden recoil). The disc may break and the fragments may jump in the direction of or away from the operator, depending on the direction of disc movement at the point of jamming.

Kickback can occur as a result of misuse of power tools and/or improper operating procedures or conditions and can be avoided by taking the precautions listed below:

**a) Keep a firm grip on the power tool. Maintain your body and arm so that they can resist the forces of kickback. Always use the auxiliary handle, if provided, for maximum control over kickback or the reaction of the torsional movement of the engine during starting.**

The operator can control the torsional movement and the kickback forces if the appropriate precautions are taken;

**b) Never place your hand near the rotating attachment.**

The accessories may kick back in your hand;

**c) Do not place your body in the area where the power tool can move if kickback (sudden recoil) occurs.**

This will propel the power tool in the opposite direction of disc movement at the point of engagement or binding;

**d) Take special care when working on corners, sharp edges, among others. Avoid bouncing and jamming of the attachment.**

When working corners, sharp edges, or bouncing, can cause the attachment to jam and result in loss of control of the power tool or kickback (sudden recoil) of the power tool.

**⚠ WARNING** Specific safety for grinding and cutting operations with abrasives

**a) Use only disc types that are recommended for the specific power tool and the specific tool holder that is designed for the selected disc.**

Discs that are not designed for the power tool cannot be properly protected and are unsafe;

**b) The grinding surface of discs with a sunken center must be installed below the plane of the guard.**

An improperly installed disc may project burrs outside the plane of the guard and cannot be properly protected;

**c) The guard must be securely fastened to the power tool and positioned to provide maximum safety, so that the least amount of the blade is exposed to the operator.**

Do not use damaged accessories. Before each use inspect the accessories. \* Check abrasive discs for damage.

\* Check backing pads for cracks, tears or excessive wear After inspecting and installing the accessory, operate the tool at maximum speed without charge for one minute. Damaged accessories usually break during this period of time. Do not use accessories that are not specifically designed and recommended by the manufacturer. The fact that the accessory may be installed on the power tool does not ensure safe operation.

**d) Discs should be used only for their recommended applications. For example: do not grind with the side of a cut-off wheel.** Abrasive discs are used for perfect grinding. If lateral forces are applied, they can break;

**e) Always use flanges in perfect condition, of the correct size according to the shape of the selected disk.**

A flange with the correct characteristics supports the disc, which reduces the possibility of disc rupture. The flanges for cut-off wheels can be different from the flanges for grinding wheels;

**f) Do not use worn out disks from larger or higher capacity tools**

Disks that are designed for larger or higher capacity tools are not suitable for the increased speed that occurs in the operation of a smaller size or capacity tool and may defragment.

**⚠ WARNING** Additional safety warnings for abrasive cutting operations

**a) Avoid locking or applying excessive pressure to the abrasive cut-off wheel. Do not attempt to make an excessively deep cut.**

Applying excessive force to the disc increases the load on the power tool and the susceptibility to deformation in the cutting area and increases the possibility of kickback (sudden recoil) or blade breakage;

**b) Do not place your body in line and behind the rotating disc.**

When the disc, at the point of operation, is aligned with your body, the possibility of a kickback (sudden recoil) can propel the spinning disc and the power tool directly against you;

**c) When disc operation is interrupted or cutting stops for any reason, turn off the power tool and keep it stationary until the disc comes to a complete stop. Do not attempt to remove the blade while it is in motion, as this may cause kickback (sudden recoil) or similar effect.**

Investigate and complete corrective actions to eliminate the cause of the spin interruption;

**d) Do not restart the cutting operation on the workpiece. Allow the blade to reach maximum speed off the workpiece and carefully restart cutting.**

The abrasive cut-off disc can jam, move upwards or produce a kickback if cutting is restarted on the workpiece;

**e) Support large workpieces on presses or clamping brackets to reduce the risk of the abrasive cut-off disc becoming trapped or of kickback (sudden recoil).**

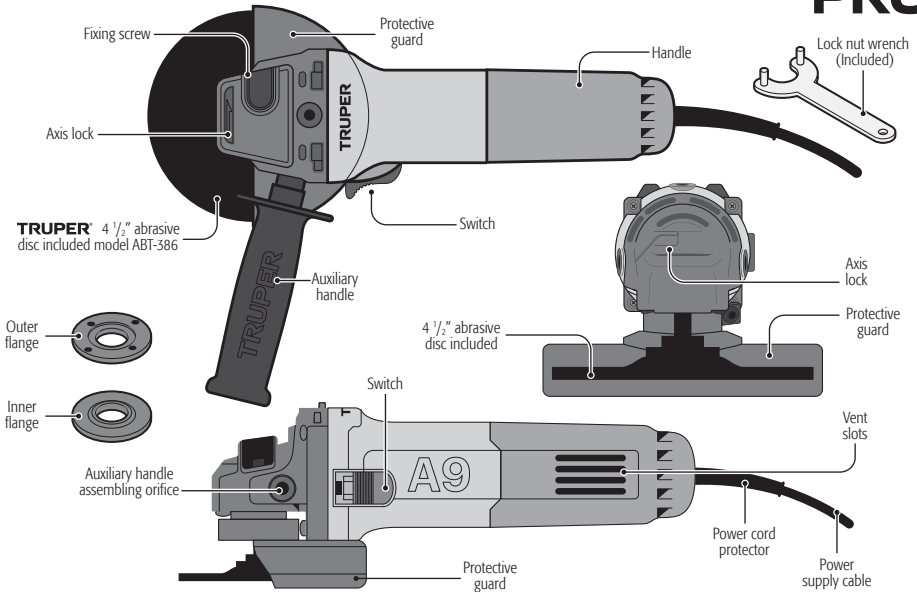
Large pieces tend to sink under their own weight. Brackets should be placed under the workpiece near the cutting line and near the edge of the workpiece on both sides of the abrasive cut-off wheel;

**f) Be careful when making a "very small cut" in walls or other blind areas or where there is no visibility of internal components.**

The protruding abrasive cutting disc can cut through gas or water pipes, electrical wiring, or objects that may cause kickback (sudden recoil).

# Parts

# TRUPER<sup>®</sup> PRO



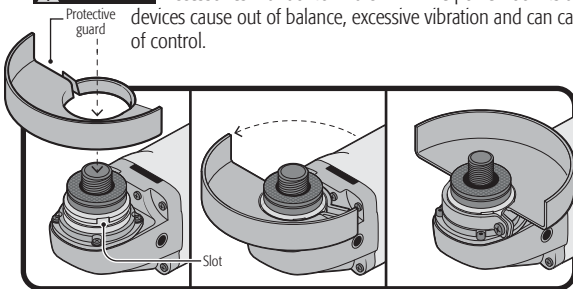
## Assembly

### Protection Guard Assembly

- Using a philips screwdriver, loosen the fixing screw so that the inner side of the guard passes freely over the slots on the cover.
- Match both cantilevered parts inside the protection guard with the corresponding slots in the axis cover. Push down to the cover.
- Turn 180° into the opposite position.
- Fix guard by tightening the fixing screw.

**⚠ WARNING** For accessories that are installed with flanges, the shaft inlet hole to the accessory must match the diameter of the flange.

**⚠ WARNING** Accessories that do not match with the power tool installation devices cause out of balance, excessive vibration and can cause loss of control.



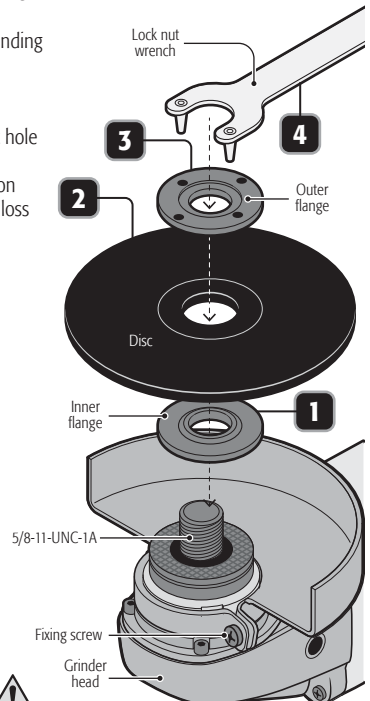
### Disc Assembly

1. Fit the inner flange onto the axis.
2. Set the disc onto the inner flange.
3. Set the outer flange onto the axis.
4. Press the axis lock into the grinder head.
4. Screw the outer flange with the lock nut wrench until securely fastened.

**⚠ DANGER** The axis lock should only be used to change discs. Never use the wrench to stop the disc while rotating.

**⚠ WARNING** "If the tool falls, inspect for possible damage."

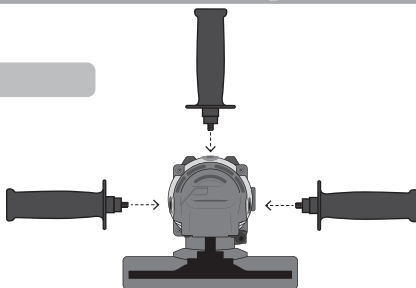
After installing and inspecting the accessory, operate the tool at maximum speed without load for one minute. Damaged accessory usually break during this period of time.



ENGLISH **7**

### Auxiliary handle assembly

- For a safer operation use the auxiliary handle. Fit it into any of the three mounting orifices. Use the one that makes your job easier.

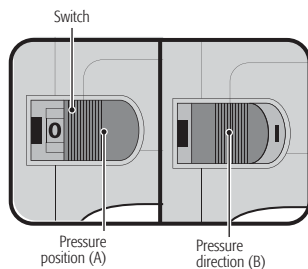


## Start Up

The angle grinder is a manual power tool used to grind and cut steel, pipes, iron angles, brick, tile, stone and / or ceramic pieces; to remove burr on metal surfaces, to level and make smooth welding lines.

### Switch On

- Connect the plug to the power inlet.
- Press the switch exactly in the pressing position (A), without releasing it, direct the pressure forward (B) and lock it.
- To stop operation, press in the pressing position (A) and then release the switch.



### How to correctly hold the tool

Always hold the tool with both hands. Hold the handle with one hand and the other hand hold the auxiliary handle. Be careful not to obstruct the ventilation slots.

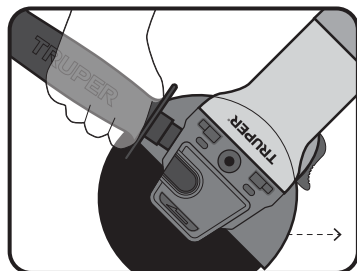
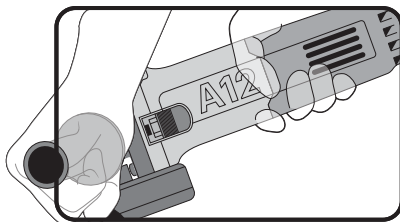
#### • Grinding:

For better results hold the tool 15° to 30° regarding the work piece. Move forwards to backwards applying light pressure with a constant rhythm. This way the work piece does not get too hot, will not discolor and there will not be rough edges.

#### • Cutting:

Do not press, tilt or oscillate the tool. Work at a moderate speed. The disc should always rotate counterclockwise since there is a risk the tool shoots out uncontrolled.

To cut hard stones using a diamond cutting disc is recommended.



### Useful tips

- Work placing the disc in the right position to prevent damage.
- Press the work piece applying pressure lower than the tool's weight to prevent overload damaging the motor and the disc.
- After installing a new disc allow it to run unloaded at least one minute. If vibration occurs replace immediately.

**⚠ WARNING** • Avoid working on wood or soft metals like lead. These materials saturate the disc very quickly making it useless.



- Always disconnect the tool before cleaning.
- Never use water or other liquids. Use only a brush.
- To prevent the motor to overheat clean the ventilation slots regularly.
- Check all the tool components are perfectly fixed.
- The housing should not be cracked or damaged.
- Double-check the power cable is not cut or peeled.
- After a prolonged use the grease on the tool head should be replaced in a **TRUPER<sup>®</sup>** Authorized Service Center.

## Repairs

Use only spare parts and accessories recommended by the manufacturer. In the event the tool is not working, repairs should be performed in a **TRUPER<sup>®</sup>** Authorized Service Center

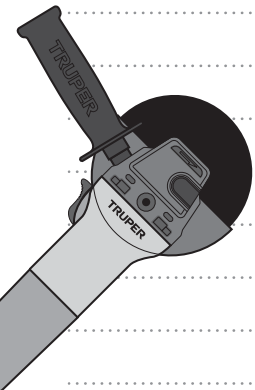
## Carbon brush replacement

- Carbon Brushes should be periodically checked and when worn, replaced always in a **TRUPER<sup>®</sup>** Authorized Service Center.
- After replacing the carbon brushes request to inspect if the new carbon brushes can move freely in the carbon housing. Also request to run the tool 5 minutes to make even the contact with the carbon brushes and the commutator.
- Use only original **TRUPER<sup>®</sup>** spare carbons specifically designed with the hardness and resistance adequate for each type of motor. Carbons that are out of specification could damage the motor.
- Both carbons should be changed simultaneous.
- For better results, it is recommended to use grinding and/or cutting disc to 4-1/2" **TRUPER<sup>®</sup>**

## Storage

Neatly store the tool in a dry place and protected from dust and water .

A series of horizontal dotted lines for writing notes, spanning the width of the page.



# Authorized Service Centers

# TRUPER<sup>®</sup> PRO

In the event of any problem contacting a Truper Authorized Service Center, please see our webpage [www.truper.com](http://www.truper.com) to get an updated list, or call our toll-free numbers **800 690-6990** or **800 018 7873** to get information about the nearest Service Center.

**AGUASCALIENTES** **DE TODO PARA LA CONSTRUCCIÓN**  
GRAL. BARRAGÁN #1201, COL. GREMIAL, C.P. 200350,  
AGUASCALIENTES, AGS. TEL.: 449 994 0537

**BAJA CALIFORNIA** **SUCURSAL TIJUANA**  
AV. LA ENCANTADA, LOTE #5, PARQUE INDUSTRIAL EL  
FLORIDO II, C.P. 22244, TIJUANA, B.C.  
TEL.: 664 969 5100

**BAJA CALIFORNIA SUR** **FIX FERRETERÍAS**  
FELIPE ÁNGELES ESQ. RUIZ CORTÍNEZ S/N, COL. PUEBLO  
NUEVO, C.P. 23670, CD. CONSTITUCIÓN, B.C.S.  
TEL.: 615 132 1115

**CAMPECHE** **TORNILLERÍA Y FERRETERÍA AAA**  
AV. ÁLVARO OBREGÓN #324, COL. ESPERANZA  
C.P. 24080 CAMPECHE, CAMP. TEL.: 981 815 2808

**CHIAPAS** **FIX FERRETERÍAS**  
AV. CENTRAL SUR #27, COL. CENTRO, C.P. 30700,  
TAPACHULA, CHIS. TEL.: 962 118 4083

**CHIHUAHUA** **SUCURSAL CHIHUAHUA**  
AV. SILVESTRE TERRAZAS #128-11, PARQUE INDUSTRIAL  
BAFAR, CARRETERA MÉXICO CUAUHTÉMOC, C.P. 31415,  
CHIHUAHUA, CHIH. TEL.: 614 434 0052

**MEXICO CITY** **FIX FERRETERÍAS**  
EL MONSTRUO DE CORREGIDORA, CORREGIDORA # 35,  
COL. CENTRO, C.P. 06060, CUAUHTÉMOC, CDMX.  
TEL.: 55 5522 5051 / 5522 4861

**COAHUILA** **SUCURSAL TORREÓN**  
CALLE METAL MECÁNICA #280, PARQUE INDUSTRIAL  
ORIENTE, C.P. 27278, TORREÓN, COAH.  
TEL.: 871 209 68 23

**COLIMA** **BOMBAS Y MOTORES BYMTESA DE MANZANILLO**  
BLVD. MIGUEL DE LA MADRID #190, COL. 16 DE  
SEPTIEMBRE, C.P. 28239, MANZANILLO, COL.  
TEL.: 314 332 1986 / 332 8013

**DURANGO** **TORNILLOS ÁGUILA, S.A. DE C.V.**  
MAZURIO #200, COL. LUIS ECHEVERRÍA, DURANGO,  
DGO. TEL.: 618 817 1946 / 618 818 2844

**ESTADO DE MÉXICO** **SUCURSAL CENTRO JILOTEPEC**  
PARQUE INDUSTRIAL # 1, COL. PARQUE INDUSTRIAL  
JILOTEPEC, JILOTEPEC, EDO. DE MÉX. C.P. 54257  
TEL.: 761 782 9101 EXT. 5728 Y 5102

**GUANAJUATO** **CÍA. FERRETERA NUEVO MUNDO S.A. DE C.V.**  
AV. MÉXICO - JAPÓN #225, CD. INDUSTRIAL, C.P. 38010,  
CELAYA, GTO. TEL.: 461 617 7578 / 79 / 80 / 88

**GUERRERO** **CENTRO DE SERVICIO ECLIPSE**  
CALLE PRINCIPAL MZ 1 LT. 1, COL. SANTA FE, C.P. 39010,  
CHILPANCIÑO, GRO. TEL.: 747 478 5793

**HIDALGO** **FERREPRECIOS S.A. DE C.V.**  
LIBERTAD ORIENTE #304 LOCAL 50, INTERIOR DE PASAJE  
ROBLEDO, COL. CENTRO, C.P. 43600, TULANCINGO,  
HGO. TEL.: 775 755 6615 / 775 755 6616

**JALISCO** **SUCURSAL GUADALAJARA**  
AV. ADOLFO B. HORN # 6800, COL. SANTA CRUZ DEL  
VALLE, C.P.: 45655, TLAJOMULCO DE ZUÑIGA, JAL.  
TEL.: 33 3606 5285 AL 90

**MICHOACÁN** **FIX FERRETERÍAS**  
AV. PASEO DE LA REPÚBLICA #3140-A, COL.  
EX-HACIENDA DE LA HUERTA, C.P. 58050, MORELIA,  
MICH. TEL.: 443 334 6858

**MORELOS** **FIX FERRETERÍAS**  
CAPITÁN ANZURES #95, ESQ. JOSÉ PERDIZ, COL.  
CENTRO, C.P. 62740, CUAUTLA, MOR.  
TEL.: 735 352 8951

**NAVARRIT** **HERRAMIENTAS DE TEPIC**  
MAZATLAN #117, COL. CENTRO, C.P. 63000, TEPIC, NAY.  
TEL.: 311 258 0540

**NUEVO LEÓN** **SUCURSAL MONTERREY**  
CARRETERA LAREDO #300, 1B MONTERREY PARKS,  
COLONIA PUERTA DE ANAHUAC, C.P. 66052, ESCOBEDO,  
NUEVO LEÓN, TEL.: 81 8352 8791 / 81 8352 8790

**OAXACA** **FIX FERRETERÍAS**  
AV. 20 DE NOVIEMBRE #910, COL. CENTRO, C.P. 68300,  
TUXTEPEC, OAX. TEL.: 287 106 3092

**PUEBLA** **SUCURSAL PUEBLA**  
AV. PERIFÉRICO #2-A, SAN LORENZO ALMECATLA,  
C.P. 72710, CUAUHTLACINGO, PUE.  
TEL.: 222 282 8282 / 84 / 85 / 86

**QUERÉTARO** **ARU HERRAMIENTAS S.A DE C.V.**  
AV. PUERTO DE VERACRUZ #110, COL. RANCHO DE  
ENMEDIO, C.P. 76842, SAN JUAN DEL RÍO, QRO.  
TEL.: 427 268 4544

**QUINTANA ROO** **FIX FERRETERÍAS**  
CARRETERA FEDERAL MZ. 46 LT. 3 LOCAL 2, COL. EJIDAL,  
C.P. 77710 PLAYA DEL CARMEN, Q.R.  
TEL.: 984 267 3140

**SAN LUIS POTOSÍ** **FIX FERRETERÍAS**  
AV. UNIVERSIDAD #1850, COL. EL PASEO, C.P. 78320,  
SAN LUIS POTOSÍ, S.L.P. TEL.: 444 822 4341

**SINALOA** **SUCURSAL CULIACÁN**  
AV. JESÚS KUMATE SUR #4301, COL. HACIENDA DE LA  
MORA, C.P. 80143, CULIACÁN, SIN.  
TEL.: 667 173 9159 / 173 8400

**SONORA** **FIX FERRETERÍAS**  
CALLE 5 DE FEBRERO #517, SUR LT. 25 MZ. 10, COL.  
CENTRO, C.P. 85000, CD. OBREGÓN, SON.  
TEL.: 644 413 2392

**TABASCO** **SUCURSAL VILLAHERMOSA**  
CALLE HELIO LOTES 1, 2 Y 3 MZ. #1, COL. INDUSTRIAL,  
2A ETAPA, C.P. 86010, VILLAHERMOSA, TAB.  
TEL.: 993 353 7244

**TAMAULIPAS** **VM ORÍNGS Y REFACCIONES**  
CALLE ROSITA #527 ENTRE 20 DE NOVIEMBRE Y GRAL.  
RODRÍGUEZ, FRACC. REYNOSA, C.P. 88780, REYNOSA,  
TAMS. TEL.: 899 926 7552

**TLAXCALA** **SERVICIOS Y HERRAMIENTAS INDUSTRIALES**  
PABLO SIDAR #132, COL. BARRIO DE SAN BARTOLOMÉ,  
C.P. 90970, SAN PABLO DEL MONTE, TLAX.  
TEL.: 222 271 7502

**VERACRUZ** **LA CASA DISTRIBUIDORA TRUPER**  
BLVD. PRIMAVERA ESQ. HORTENSIA S/N, COL.  
PRIMAVERA, C.P. 93308, POZA RICA, VER.  
TEL.: 782 825 8100 / 826 8484

**YUCATÁN** **SUCURSAL MÉRIDA**  
CALLE 33 #600 Y 602, LOCALIDAD ITZINCAB Y MULSAY,  
MPIO. UMANÍ, C.P. 97390, MÉRIDA, YUC.  
TEL.: 999 912 2451

<b>Code</b>	<b>Model</b>	<b>Brand</b>
14013	ESMA-4-1/2A12	<b>TRUPER® PRO</b>

Warranty. Duration: 3 year. Coverage: parts, components and workmanship against manufacturing or operating defects, except if used under conditions other than normal; when it was not operated in accordance with the instructive; was altered or repaired by personnel not authorized by TRUPER®. To make the warranty valid, present the product, stamped policy or invoice or receipt or voucher, in the establishment where you bought it or in Corregidora 35, Centro, Cuauhtémoc, CDMX, 06060, where you can also purchase parts, components, consumables and accessories. It includes the costs of transportation of the product that derive from its fulfillment of its service network. . Phone number 800-018-7873. Made in China. Imported by TRUPER, S.A. de C.V. Parque Industrial 1, Parque Industrial Jilotepec, Jilotepec, Edo. de Méx. C.P. 54257, Phone number 761 782 9100.

Stamp of the business. Delivery date:





Sello del establecimiento comercial. Fecha de entrega:

Garantía. Duración: 3 años. Cobertura: piezas, componentes y mano de obra contra defectos de fabricación o funcionamiento, excepto si se usó en condiciones distintas a las normales; cuando no fue operado conforme instructivo; fue alterado o reparado por personal no autorizado por TRUPER®. Para hacer efectiva la garantía presente el producto, póliza sellada o factura o recibo o comprobante, en el establecimiento donde lo compró o en Corregidora 55, Centro, Cuauhtémoc, CDMX, 06060, donde también podrá adquirir partes, componentes, consumibles y accesorios. Incluye los gastos de transportación del producto que deriven de su cumplimiento de su red de servicio. Tel. 800-018-7873. Made in/Hecho en China. Importador TRUPER, S.A. de C.V. Parque Industrial 1, Parque Industrial Jilotepec, Jilotepec, Edo. de Méx. C.P. 54257, Tel. 761 782 9100.

Código  
14013

Modelo  
ESMA-4-1/2A12

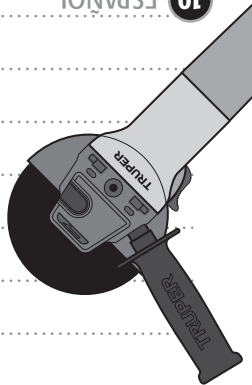
Marca  
TRUPER  
PRO

Póliza de  
Garantía

TRUPER  
PRO

En caso de tener algún problema para contactar un Centro de Servicio Autorizado Truper® consulte nuestra página [www.truper.com](http://www.truper.com) donde obtendrá un listado actualizado, o llame al: 800 690 6990 ó 800 018 7873 donde le informarán cuál es el Centro de Servicio más cercano.

AGUASCALIENTES	<b>DE TODO PARA LA CONSTRUCCIÓN</b> GRAL. BARRAGÁN #1201, COL. GERMINAL, C.P. 20030, AGUASCALIENTES, AGS. TEL.: 449 994 0057
BAJA CALIFORNIA	<b>SUCURSAL TIJUANA</b> AV. LA ENCANADA, LOTE #5, PARQUE INDUSTRIAL EL FLORIDO II, C.P. 22244, TIJUANA, B.C. TEL.: 664 969 5100
BAJA CALIFORNIA SUR	<b>FIX FERRTERIAS</b> FELIPE ANGELES ESQ. RUIZ CORTINEZ S/N, COL. PUEBLO NUEVO, C.P. 25670, CD. CONSTITUCIÓN, B.C.S. TEL.: 613 132 1115
CAMPESHE	<b>TORNILLERIA Y FERRTERIA AAA</b> AV. ALVARO OBREGÓN #324, COL. ESPERANZA C.P. 24080 CAMPESHE, CAMP. TEL.: 981 815 2808
CHIAPAS	<b>FIX FERRTERIAS</b> AV. CENTRAL SUR #27, COL. CENTRO, C.P. 30700, TAPACHULA, CHIS. TEL.: 962 118 4083
CHIHUAHUA	<b>SUCURSAL CHIHUAHUA</b> AV. SIESTEIRA TERRAZAS #128-11, PARQUE INDUSTRIAL BARR. CARRETERA MEXICO CUAUHTEMOC, C.P. 31415, CHIHUAHUA, CHIH. TEL. 614 454 0052
CUIDAD DE MEXICO	<b>FIX FERRTERIAS</b> EL MONSTRUO DE CORREGIDORA, CORREGIDORA # 35, COL. CENTRO, C.P. 06060, CUAUHTEMOC, CDMX. TEL.: 55 5222 5051 / 5222 4861
COAHUILA	<b>SUCURSAL TORREÓN</b> CALE MEXICA MEGAMICA #280, PARQUE INDUSTRIAL ORIENTE, C.P. 27278, TORREÓN, COAH. TEL.: 871 209 66 23
COLIMA	<b>BOMBAS Y MOTORES BYMTESA DE MANZANILLO</b> BLVD. MIGUEL DE LA MADRID #190, COL. 16 DE SEPTIEMBRE, C.P. 28259, MANZANILLO, COL. TEL.: 514 332 1986 / 332 8013
DURANGO	<b>TORNILLOS ÁGUILA, S.A. DE C.V.</b> MAZUÑO #200, COL. LUIS ECHERVERRÍA, DURANGO, DGO. TEL.: 618 817 1946 / 618 818 2844
ESTADO DE MEXICO	<b>SUCURSAL CENTRO JILOTEPEC</b> PARQUE INDUSTRIAL # 1, COL. PARQUE INDUSTRIAL JILOTEPEC, JILOTEPEC, EDO. DE MEX. C.P. 54257 TEL.: 761 782 9101 EXT. 5728 Y 5102
GUANAJUATO	<b>CLA FERRTERIA NUEVO MUÑOZ S.A. DE C.V.</b> AV. MEXICO - IAPÓN #225, CD. INDUSTRIAL, C.P. 38010, CELMA, GTO. TEL.: 461 617 7578 / 79 / 80 / 88
GUERRERO	<b>CENTRO DE SERVICIO ECLIPSE</b> CALE PRINCIPAL M21 IT 1, COL. SANTA FE, C.P. 39010, CHILPANCIANGO, GRO. TEL.: 747 478 5793
HIDALGO	<b>LIBERTAD ORIENTE #504 LOCAL 30, INTERIOR DE PASAJE ROBELO, COL. CENTRO, C.P. 43600, TULANGCO, HGO. TEL.: 775 753 6615 / 775 753 6616</b>
JALISCO	<b>SUCURSAL GUADALAJARA</b> AV. DORTO B. HORN #6800, COL.: SANTA CRUZ DEL VALLE, C.P.: 45655, TLAJAMUNICO DE ZUNIGA, JAL. TEL.: 33 3606 5285 AL 90
MICHOCÁN	<b>FIX PASOS DE LA REPUBLICA #314-A, COL. EX-HACIENDA DE LA HUERTA, C.P. 58050, MORELIA, MICH. TEL.: 445 334 8658</b>
MORELOS	<b>FIX FERRTERIAS</b> CARTIÁN ANZURES #95, ESQ. JOSÉ PERDIZ, COL. CENTRO, C.P. 62740, CUAUTLA, MOR. TEL.: 755 352 8931
NAVARIT	<b>HERRAMIENTAS DE TEPIC</b> MAZATLÁN #117, COL. CENTRO, C.P. 65000, TEPIC, NAY. TEL.: 311 258 0540
NEUVO LEÓN	<b>SUCURSAL MONTERREY</b> CARRETERA LAREDO #300, 18 MONTERREY PARKS, COLONIA PUERTA DE ANHUAC, C.P. 66052, ESCOBEDO, NUEVO LEÓN, TEL.: 81 8352 8791 / 81 8352 8790
OAXACA	<b>FIX FERRTERIAS</b> AV. 20 DE NOVIEMBRE #910, COL. CENTRO, C.P. 68300, TUXTEPEC, OAX. TEL.: 287 106 3092
PUEBLA	<b>SUCURSAL PUEBLA</b> AV. PERIFÉRICO #2-A, SAN LORENZO ALMECATLA, C.P. 72710, CUAUHTEACINO, PUE. TEL.: 222 282 8282 / 84 / 85 / 86
QUERÉTARO	<b>ARH HERRAMIENTAS S.A DE C.V.</b> AV. PUERTO DE VERACRUZ #110, COL. RANCHO DE ENMEMIO, C.P. 76842, SAN JUAN DEL RÍO, QRO. TEL.: 427 268 4544
QUINTANA ROO	<b>FIX FERRTERIAS</b> CARRETERA FEDERAL MZ 46 IT 3 LOCAL 2, COL. EIJDAL, C.P. 77710 PLAMA DEL CARMEN, Q.R. TEL.: 984 267 3140
POTOSÍ	<b>FIX FERRTERIAS</b> AV. UNIVERSIDAD #1850, COL. EL PASO, C.P. 78320, SAN LUIS POTOSÍ, S.L.P. TEL.: 444 822 4541
SINALOA	<b>SUCURSAL CULIACÁN</b> AV. JESUS KUMBAT SUR #4301, COL. HACIENDA DE LA MORFA, C.P. 80143, CULIACÁN, SIN. TEL.: 667 175 9139 / 175 8400
SONORA	<b>FIX FERRTERIAS</b> CALE 5 DE FEBRERO #517, SUR LT 25 MZ 10, COL. CENTRO, C.P. 85000, CD. OBREGÓN, SON. TEL.: 644 415 2392
TABASCO	<b>SUCURSAL VILLAHERMOSA</b> CALE HERLU LOTTEN #1, 2 Y 3 MZ #1, COL. INDUSTRIAL 2A ETAPA, C.P. 86010, VILLAHERMOSA, TAB. TEL.: 993 353 7244
TAMAUPLIPS	<b>VM ONINCS Y REACCIONES</b> CALE ROSITA #527 ENTRE 20 DE NOVIEMBRE Y GRAL. CALLE ROSITA #527, ENTRE 20 DE NOVIEMBRE Y REYNOSA, TAMM, TEL.: 899 926 7525
TLAXCALA	<b>PABLO SIDAAR #132, COL. BARRIO DE SAN BARTOLOMÉ, SAN PABLO DEL MONTE, TLAX.</b> TEL.: 222 271 7502
VERACRUZ	<b>LA CASA DISTRIBUIDORA TRUPER</b> BLVD. PRIMAVERA ESQ. HORTENSIA S/N, COL. PRIMAVERA, C.P. 93308, POZA RICA, VER. TEL.: 782 823 8100 / 826 8484
YUCATÁN	<b>SUCURSAL MERIDA</b> CALE 33 #600 Y 602, LOCALIDAD ITZINAB Y MULSAB, MPIO. UMMÁ, C.P. 97390, MERIDA, YUC. TEL.: 999 912 2451



A series of horizontal dotted lines for writing, spanning the width of the page.

## Mantenimiento

- Desconecte siempre la herramienta antes de proceder a limpiarla.
- Nunca utilice agua u otros líquidos, solamente utilice un cepillo.
- Para evitar que se sobrecaliente el motor, debe limpiar las ranuras de ventilación de manera regular.
- Revise que todos los componentes de la herramienta estén bien fijos.
- La carcasa no debe estar cuarteada o dañada.
- Siempre revise que el cable no esté cortado o pelado.
- Después de un uso prolongado la grasa de la cabeza de la herramienta debe de ser cambiada en un Centro de Servicio Autorizado **TRUPER**.

## Reparación

Utilice únicamente refacciones y accesorios recomendados por el fabricante. En caso de que la herramienta no funcione la reparación deberá ser realizada por algún Centro de Servicio Autorizado **TRUPER**.

## Cambio de carbones

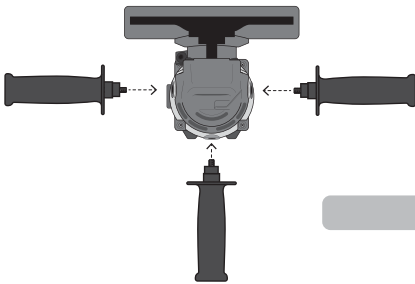
- Los carbones deben revisarse periódicamente, y ser reemplazados siempre por un Centro de Servicio Autorizado **TRUPER** cuando se hayan desgastado.
- Después de que hayan sido reemplazados, pida que se inspeccione si los enciendan la herramienta durante 5 minutos para emparejar el contacto de los carbones y el conmutador.
- Sólo se deben de usar carbones de repuesto originales **TRUPER**, diseñados específicamente con la dureza y la resistencia eléctrica adecuadas para cada tipo de motor. Los carbones fuera de especificaciones pueden dañar el motor.
- Cuando se haga el cambio de carbones siempre deben reemplazarse los dos carbones.
- Para mejores resultados, se recomienda utilizar discos de corte y/o desbaste de 4-1/2" (115 mm) marca TRUPER.

## Almacenamiento

Almacene la herramienta ordenadamente en un lugar seco y protegida de polvo y agua



# Montaje



- Para una operación segura utilice el mango auxiliar, colóquelo en alguno de los tres orificios para montarlo que le facilite más el trabajo.

## Montaje del mango auxiliar

## Encendido

- Conecte la clavija al tomacorriente.
- Presione el interruptor exactamente en la posición de presión (A), sin soltarlo, dirija la presión hacia adelante (B) y bloquéelo.
- Para interrumpir su funcionamiento, presione en la posición de presión (A) después suelte el interruptor.

## Cómo sujetar adecuadamente la herramienta

Siempre sostenga la herramienta con ambas manos. Una mano sosteniendo el mango y la otra el mango auxiliar. Tenga cuidado de no obstruir las ranuras de ventilación.

### • Esmerilado:

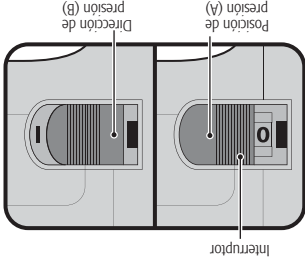
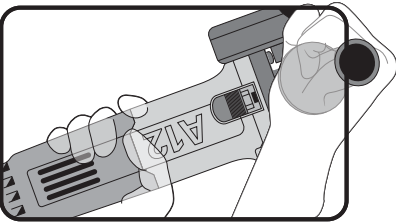
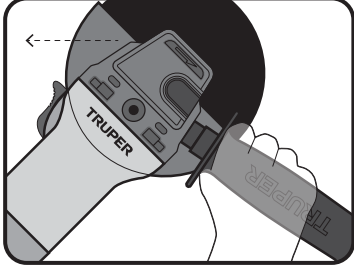
Para un mejor resultado sostenga la herramienta de 15° a 30° con respecto a la pieza de trabajo. Haga movimientos de adelante hacia atrás con una ligera presión a un ritmo constante. De esta forma la pieza de trabajo no se calienta demasiado, no se decolora y no se producen anstas.

### • Corte:

No presione, ladee u oscile la herramienta. Trabaje a una velocidad moderada. El disco debe girar siempre en sentido opuesto al movimiento de corte, nunca en el otro sentido, pues existe el riesgo de que la herramienta salga despedida sin control. Para cortar piedras duras es recomendable usar un disco de corte de diamante.

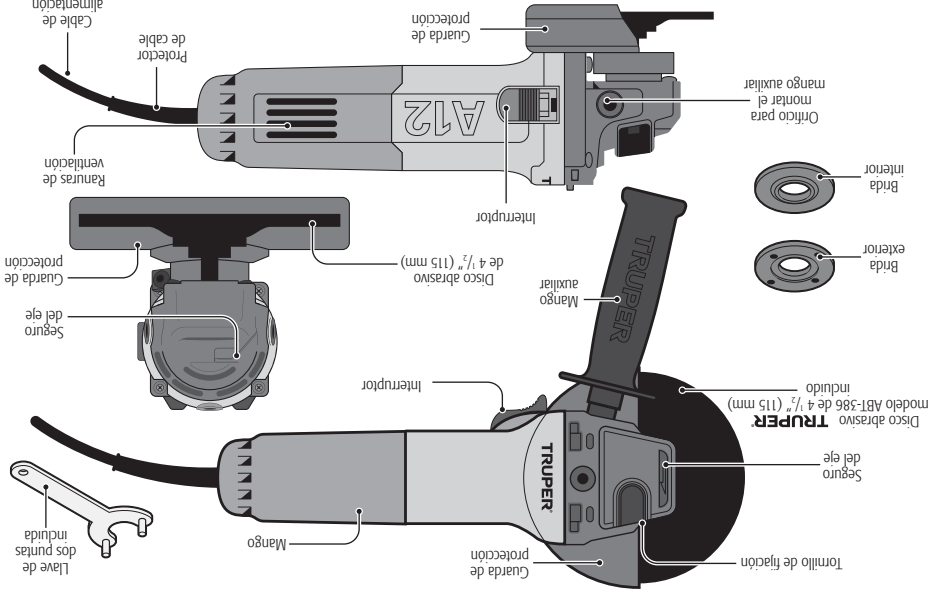
## Consejos útiles

- Trabaje con el disco en la posición correcta para evitar que se dañe.
- Presione sobre la pieza de trabajo con una fuerza menor al peso de la herramienta para evitar que la sobrecarga dañe el motor y el disco.
- Después de instalar un disco nuevo permita que el disco gire sin trabajar al menos un minuto.
- Es caso de que este vibre reemplácelo de inmediato.
- **¡ATENCIÓN!** Evite trabajar madera o metales suaves como el plomo. Pues estos materiales saturan muy rápido el disco y lo hacen inservible.



La esmeriladora angular es una herramienta eléctrica manual, se utiliza para esmerilar y cortar acero, tubos, hierro en ángulo, ladrillos, azulejos, piedra y/o piezas de cerámica; para quitar la rebaba de las superficies de metal, para nivelar y alisar soldaduras.

## Puesta en marcha



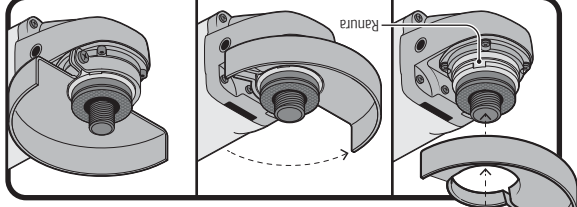
## Montaje

### Montaje de la guarda de protección

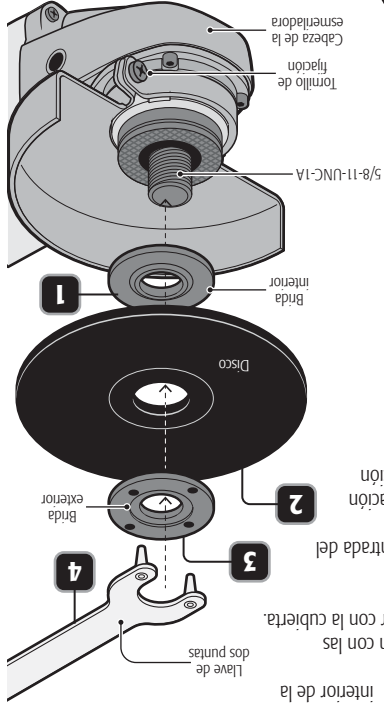
- Con ayuda de un desarmador de cruz, afloje el tornillo de fijación para que el interior de la guarda pueda libremente sobre las ranuras de la cubierta.
- Haga coincidir las partes sobresalientes del interior de la guarda de protección con las ranuras correspondientes de la cubierta del eje. Empuje hacia abajo hasta topor con la cubierta.
- Girela 180° a la posición opuesta.
- Fijela la guarda apretando el tornillo de fijación.
- Para accesorios que se instalan con bridas, el orificio de entrada del eje al accesorio debe coincidir con el diámetro de la brida
- **ADVERTENCIA** Accesorios que no coincidan con los dispositivos de instalación de la herramienta eléctricas provocan un desbalance, vibración excesiva y pueden causar la pérdida de control.

### Montaje del disco

1. Fije la brida interior en el eje.
2. Coloque la brida exterior en el eje.
3. Presione el seguro del eje en la cabeza de la esmeriladora.
4. Acomode la brida exterior con la llave de dos puntas hasta que quede bien fija.



Guada de protección



**ADVERTENCIA** El seguro del eje sólo se debe de utilizar para cambiar los discos. Nunca para frenar el disco mientras está girando.

**ADVERTENCIA** Si se cae la herramienta, inspeccione por posibles daños. Después de instalar e inspeccionar el accesorio accione la herramienta a la máxima velocidad sin carga, durante un minuto. Los accesorios con daño, generalmente se rompen durante este periodo de tiempo.

# Advertencias de Seguridad para uso de esmeriladoras



(d) Los discos deben utilizarse sólo para sus aplicaciones recomendadas. Por ejemplo: no debastar con el lado de un

disco abrasivo de corte. Los discos abrasivos se utilizan para un esmerillado periférico, si se aplican fuerzas laterales puede romperse.

(e) Utilizar siempre bridas en perfecto estado, de tamaño correcto de acuerdo con la forma del disco seleccionado. Una brida con las características correctas soporta el disco, lo que reduce la posibilidad de ruptura del disco. Las bridas para discos de corte pueden ser diferentes de las bridas para discos

f) No utilizar discos desgastados de herramientas más grandes o de mayor capacidad. Los discos que se diseñan para herramientas más grandes o de mayor capacidad no son los idóneos para el incremento de velocidad que ocurre en la operación de una herramienta de

atacascos bruto. El contragripe puede ocurrir como resultado del mal uso de las herramientas eléctricas y/o procedimientos de operación incorrectos o condiciones no adecuadas y puede continuarse.

a) Mantener un agarre firme sobre la herramienta eléctrica, mantener su cuerpo y su brazo de modo que pueda resistir las fuerzas de contragripe (retroceso brusco). Utilizar siempre el mango auxiliar, si se proporciona, para un máximo control sobre el contragripe (retroceso brusco) o la reacción

El operador puede controlar el momento torsional y las fuerzas de contragripe (retroceso brusco), si se toman las precauciones adecuadas.

(c) No colocar la mano cerca del accesorio giratorio. Los accesorios pueden contragripear en la mano.

(d) Tener un cuidado especial cuando se trabaje en esquinas, bordes afilados, entre otros. Evitar el rebote y el atascamiento del accesorio.

Al trabajar las esquinas, los bordes afilados o un rebote, pueden provocar que el accesorio se ataque y cause la pérdida de control de la herramienta eléctrica o un contragripe (retroceso brusco) de la misma.

Seguridad específicas para operación de contragripe (retroceso brusco).

(a) Utilizar únicamente tipos de discos que se recomiendan para la herramienta eléctrica y la guarda específica que se diseña para el disco seleccionado.

Los discos que no se diseñan para la herramienta eléctrica no pueden protegerse de manera idónea y son inseguros.

(b) La superficie de esmerillado de los discos con centro hundido, deben instalarse por debajo del plano de la guarda. Un disco mal instalado puede proyectar rebabas fuera del plano

(c) La guarda debe sujetarse firmemente a la herramienta eléctrica y posicionarse para proporcionar la máxima exposición hacia el operador.

El disco abrasivo de corte que sobresale puede cortar tuberías de gas o agua, cableado eléctrico o de objetos que pueden causar un contragripe (retroceso brusco).

(d) No colocar su cuerpo en la zona donde la herramienta eléctrica puede moverse si ocurre un contragripe (retroceso brusco).

(e) Cuando se interrumpie el funcionamiento del disco o se detiene el corte por cualquier motivo, apagar la herramienta eléctrica y mantenerla inmóvil hasta que el disco se detenga por completo. No intente retirar el disco de corte mientras está en movimiento de lo contrario puede ocurrir lesiones o efectos similares.

(f) Permitir que el disco alcance la máxima velocidad fuera de la pieza y con precaución reiniciar el corte. El disco de corte abrasivo puede atascarse, moverse hacia arriba o producir un contragripe si se reinicia el corte en la pieza de trabajo.

(g) Apoyar los brazos y las manos de sujeción las piezas de trabajo grandes para reducir el riesgo de aprisionamiento de los componentes internos.

El disco abrasivo de corte que sobresale puede cortar tuberías de gas o agua, cableado eléctrico o de objetos que pueden causar un contragripe (retroceso brusco).

## PELIGRO El contragripe (retroceso brusco)

El contragripe (retroceso brusco) es una reacción repentina al atascarse o engancharse una rueda giratoria, resplido, capullo o cualquier otro accesorio. El atascarse o engancharse causa un rápido estancamiento del accesorio giratorio que a su vez hace que la herramienta eléctrica se force de forma descontrolada en la dirección opuesta a la rotación del accesorio en el punto de trabajo.

Un disco abrasivo se atasca o engancha en la pieza de trabajo, el borde que hace contacto puede clavarse en la superficie del material provocando que el disco separe, creando un contragripe (retroceso brusco). El disco puede romperse y los fragmentos pueden salir en la dirección o lejos del operador dependiendo de la dirección del movimiento del disco en el punto de atascamiento.

El contragripe (retroceso brusco) puede ocurrir como resultado del mal uso de las herramientas eléctricas y/o procedimientos de operación incorrectos o condiciones no adecuadas y puede evitarse tomando las precauciones que en esencia se indican a continuación:

(a) Mantener un agarre firme sobre la herramienta eléctrica, mantener su cuerpo y su brazo de modo que pueda resistir las fuerzas de contragripe (retroceso brusco). Utilizar siempre el mango auxiliar, si se proporciona, para un máximo control sobre el contragripe (retroceso brusco) o la reacción del momento torsional del motor durante el arranque.

El operador puede controlar el momento torsional y las fuerzas de contragripe (retroceso brusco), si se toman las precauciones adecuadas.

(c) No colocar la mano cerca del accesorio giratorio. Los accesorios pueden contragripear en la mano.

(d) Tener un cuidado especial cuando se trabaje en esquinas, bordes afilados, entre otros. Evitar el rebote y el atascamiento del accesorio.

Al trabajar las esquinas, los bordes afilados o un rebote, pueden provocar que el accesorio se ataque y cause la pérdida de control de la herramienta eléctrica o un contragripe (retroceso brusco) de la misma.

Seguridad específicas para operación de contragripe (retroceso brusco).

Esta herramienta eléctrica debe utilizarse únicamente con un disco de corte. Leer todas las advertencias de seguridad, instrucciones y especificaciones que se proporcionan. Si no se siguen las instrucciones señaladas a continuación puede provocar un choque eléctrico, incendios y/o lesiones graves.

### Elija el disco apropiado

- ▲ **ATENCIÓN** • Nunca debe usar un disco cuyo diámetro sea mayor que el tamaño que le corresponda a la herramienta.
- ▲ **ADVERTENCIA** • Utilice únicamente discos o accesorios para velocidad de 11 000 r/min
- ▲ **ADVERTENCIA** • La velocidad asignada del accesorio debe ser al menos igual a la velocidad máxima marcada en la herramienta.
- Los accesorios que que funcionan más rápido de su velocidad asignada pueden tomarse y desprenderse.
- ▲ **ATENCIÓN** • Utilice únicamente discos o accesorios con el orificio correspondiente al eje de la herramienta.
- ▲ **ATENCIÓN** • Utilice únicamente discos o accesorios específicos para el material a trabajar.

Mantener a las personas presentes a una distancia segura del área de trabajo. Cualquiera que entre en la zona de trabajo debe utilizar equipo de protección personal.

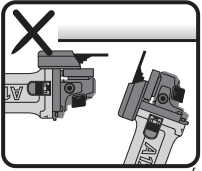
### Antes de operar la esmeriladora

- Tómese su tiempo para evaluar el trabajo a realizar y asegurarse de haber respetado todas las precauciones necesarias antes de comenzar a esmerilar.
- ▲ **PELIGRO** • Remueva cualquier llave de ajuste de la herramienta. De lo contrario pueden ser lanzadas con fuerza provocando serios daños al operador.
- ▲ **ADVERTENCIA** • Revise que la guarda del disco esté en buen estado y que esté bien afianzada. No se debe usar la herramienta sin la guarda. Los fragmentos de las piezas de trabajo o de un accesorio rotado pueden desprenderse y causar daño más allá del área inmediata de operación.
- ▲ **ATENCIÓN** • Verifique que el disco no esté roto o cuarteado. Golpee ligeramente con un martillo de madera, el sonido que emite le indicará si está cuarteado.
- ▲ **PELIGRO** • Asegúrese que el interruptor esté apagado (Ver págs. 8 y 9).
- ▲ **ATENCIÓN** • Encienda la herramienta 30 segundos antes de utilizarla para detectar vibraciones considerables o cualquier tipo de movimiento inusual. De ser detectados desconecte la herramienta y acuda a un Centro de Servicio Autorizado TRUPER.

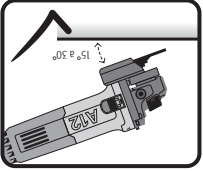
### Mientras opera la esmeriladora

- ▲ **ADVERTENCIA** • Para trabajar piezas pequeñas fijelas con mordazas o abrazaderas. Nunca use las manos para tal fin.
- ▲ **ATENCIÓN** • Verifique que el disco gire libremente. No apriete demasiado el disco, de lo contrario podría tomarse.
- ▲ **ADVERTENCIA** • Para trabajar piezas pequeñas fijelas con mordazas o abrazaderas. Nunca use las manos para tal fin.
- ▲ **ATENCIÓN** • No encienda la herramienta cuando el disco esté en contacto con la pieza de trabajo.

Operaciones para la cual no está diseñada esta herramienta eléctrica puede provocar un accidente y causar lesiones personales. No se recomienda usar en operaciones tales como: lijado, cepillado, pulido con accesorios tales como: electra, No utilice accesorios que no están específicamente diseñados y recomendados por el fabricante.



forma incorrecta de operar la esmeriladora



forma correcta de operar la esmeriladora

- ▲ **PELIGRO** • No colocar un disco de sierra para trabajo en madera o una cuchilla dentada. Tales cuchillas crean contagolpes (retrocesos bruscos) frecuentes y pérdida de control.
- ▲ **ADVERTENCIA** • Utilice lentes de seguridad, guantes y mandil cuando opere la herramienta.
- ▲ **ADVERTENCIA** • Mantenga el cable o la extensión por detrás de la herramienta para evitar daños accidentalmente con el disco. Si se pierde el control de la herramienta eléctrica, el cable puede cortarse o enredar y el brazo o la mano del operador puede jalarse hacia el accesorio giratorio.
- ▲ **ADVERTENCIA** • Nunca sostenga la herramienta por el cable de alimentación, sosténgala del cuerpo o por el mango auxiliar.
- ▲ **ATENCIÓN** • Sostenga la herramienta por las partes de agarre aisladas cuando llave a cabo operaciones en las que exista el riesgo de que la herramienta de corte pueda entrar en contacto con el cableado oculto o su propio cable. El contacto con un cable "vivo" hará que las partes expuestas de metal se electrifiquen y den una descarga eléctrica al operador.
- Nunca atornee la superficie de trabajo con el disco. accesorio se detenga completamente.
- Nunca atornee la superficie de trabajo con el disco. Durante el proceso de esmerilado, la inclinación entre el disco y la superficie de trabajo debe tener un ángulo de 15° a 30°
- ▲ **PELIGRO** • Cuando el disco está girando no se debe utilizar el seguro del eje para frenarlo, ya que es muy peligroso y puede ocasionar lesiones al usuario.
- ▲ **ATENCIÓN** • No toque el disco ni la pieza de trabajo inmediatamente después de esmerilar. Espere a que se enfríen para manipularas. No intente enfriarlas con agua o aceite.
- ▲ **ADVERTENCIA** • Verifique que la herramienta esté desconectada antes de revisar, ajustar o cambiar el disco. inflamables. • No opere la herramienta mientras la transporta a su lado.
- ▲ **PELIGRO** • Las chips que provoca el esmerilado pueden resultar un peligro si no se toman las medidas adecuadas. asegúrese de que no entren en contacto con la piel o sustancias inflamables. • Limpiar gradualmente las rejillas de ventilación de la herramienta. El ventilador del motor direcciona el polvo a el interior de la carcasa y la acumulación excesiva de polvo metálico puede provocar un riesgo eléctrico. • No utilice accesorios que requieren refrigerantes líquidos. El uso de agua u otros refrigerantes líquidos pueden resultar en un choque eléctrico.

El diámetro exterior y espesor de los accesorios deben estar dentro de la capacidad asignada. Los accesorios de tamaño incorrecto no pueden protegerse o controlarse adecuadamente. Para mejores resultados utilice disco de corte y/o desbaste de 4 1/2" (115 mm) con espesor de 1 mm - 6,4 mm

# Advertencias generales de seguridad para herramientas eléctricas

# TRUPER<sup>®</sup> PRO

**⚠️ ADVERTENCIA! Lea detenidamente todas las advertencias de seguridad y todas las instrucciones que se encuentran a continuación.** La omisión de alguna de ellas puede dar como resultado un choque eléctrico, incendio y/o daño serio. **Conserve las advertencias y las instrucciones para futuras referencias.**

**Área de trabajo**  
Mantenga el área de trabajo limpia y bien iluminada.



Las áreas desordenadas y oscuras son propensas a accidentes.



No presente la herramienta en ambientes explosivos, como en presencia de líquido, gas o polvo inflamables. Las herramientas eléctricas producen chispas que pueden encender material inflamable.



Mantenga alejados a los niños y curiosos cuando opere la herramienta. Las distracciones pueden hacer que pierda el control.

## Seguridad eléctrica



La clavija de la herramienta debe coincidir con el tomacorriente. Nunca modifique una clavija. No use ningún tipo de adaptador para clavijas de herramientas puestas a tierra. Clavijas modificadas y enchufes diferentes aumentan el riesgo de choque eléctrico.

Evite el contacto del cuerpo con superficies puestas a tierra como tuberías, radiadores, cocinas eléctricas y refrigeradores. Hay un mayor riesgo de choque eléctrico si el cuerpo está puesto a tierra. No exponga la herramienta a la lluvia o condiciones de humedad. El agua que ingresa en la herramienta aumenta el riesgo de choque eléctrico.

No fuerce el cable. Nunca use el cable para transportar, levantar o desconectar la herramienta. Mantenga el cable lejos del calor, aceite, ollas afiladas o piezas en movimiento. Los cables dañados o entredados aumentan el riesgo de choque eléctrico.

Cuando maneje una herramienta en exteriores, use una extensión especial para uso en exteriores. El uso de una extensión adecuada para exteriores reduce el riesgo de choque eléctrico.

Si el uso de la herramienta en un lugar húmedo es inevitable, use una alimentación protegida por un interruptor de circuito de falla a tierra (GFCI). El uso de un GFCI reduce el riesgo de choque eléctrico.

## Seguridad personal

Esté alerta, vigile lo que está haciendo y use el sentido común cuando maneje una herramienta. No la use si está cansado o bajo la influencia de drogas, alcohol o medicamentos.

Use equipo de seguridad. Use siempre protección para los ojos.

El uso de equipo de seguridad como lentes de seguridad, mascarilla antipolvo, zapatos antiestaticos, casco y protección para los oídos en condiciones apropiadas, reduce de manera significativa los daños personales.



Evite arranques accidentales. Asegúrese de que el interruptor de alimentación y/o a la batería o transportar la herramienta. Transportar herramientas eléctricas con el dedo sobre el interruptor o conectar herramientas eléctricas que tienen el interruptor en posición de "encendido" puede causar accidentes.

Retire cualquier llave o herramienta de ajuste antes de arrancar la herramienta eléctrica. Las llaves o herramientas que quedan en las partes rotativas de la herramienta pueden causar un daño personal.

No sobrepase su campo de acción. Mantenga ambos pies bien asentados sobre el suelo y conserve el equilibrio en todo momento. Esto permite un mejor control de la herramienta en situaciones inesperadas.

Vista adecuadamente. No vista ropa suelta o joyas. Mantenga su pelo, su ropa y guantes alejados de las piezas en movimiento. La ropa suelta, joyas o cabello largo pueden quedar atrapados en las piezas en movimiento.

En caso de contar con dispositivos de extracción y recolección de polvo conectados a la herramienta, verifique sus conexiones y úselos correctamente. El uso de estos dispositivos reduce los riesgos relacionados con el polvo.

Use y cuidados de la herramienta  
No fuerce la herramienta. Use la herramienta adecuada para el trabajo a realizar. La herramienta adecuada hace un trabajo mejor y más seguro cuando se usa al ritmo para el que fue diseñada.



No use la herramienta si el interruptor no funciona.

Cualquier herramienta eléctrica que no pueda encenderse o apagarse es peligrosa y debe repararse antes de ser operada.

Desconecte la herramienta de la fuente de alimentación y/o de la batería antes de efectuar cualquier ajuste, cambiar accesorios o almacénarla. Estas medidas reducen el riesgo de arrancar la herramienta accidentalmente.

Almacene las herramientas fuera del alcance de los niños y no permita su manejo por personas no familiarizadas con las herramientas o con las instrucciones.

Dele mantenimiento a la herramienta. Compruebe que las partes móviles no estén desalineadas o trabadas, que no haya piezas rotas u otras condiciones que puedan afectar su operación. Repare cualquier daño antes de usar la herramienta.

Muchos accidentes son causados por el escaso mantenimiento de las herramientas.

Mantenga los accesorios de corte afilados y limpios. Los accesorios de corte en buenas condiciones son menos probables de trabarse y más fáciles de controlar.

Use la herramienta, sus componentes y accesorios de acuerdo con estas instrucciones y de la manera prevista para el tipo de herramienta, en condiciones de trabajo adecuadas.

El uso de la herramienta para aplicaciones diferentes para las que está diseñada podría causar una situación de peligro.

## Servicio

Repare la herramienta en un Centro de Servicio Autorizado TRUPER usando sólo piezas de repuesto idénticas.

Para mantener la seguridad de la herramienta.

Esta herramienta cumple con la Norma Oficial Mexicana (NOM).



ESMA-4-1/2A12

• Código	14013
• Descripción	Esmeriladora angular
• Discos	115 mm (4 1/2")
• Tensión	127 V ~
• Frecuencia	60 Hz
• Corriente	5.1 A
• Potencia	700 W
• Velocidad	11 000 r/min
• Ciclo de trabajo	30 minutos de trabajo por 15 minutos de descanso. Máximo 3 horas diarias.
• Conductores	18 AWG x 2C con temperatura de aislamiento de 105 °C
• Aislamiento	Clase II
	Grado IP
	IP20

El cable de alimentación tiene sujeta-cables tipo: Y  
La clase de construcción de la herramienta es: Reforzado.  
La clase de aislamiento térmico de los devanados del motor: Clase B

### ADVERTENCIA

Si el cable de alimentación se daña, éste debe ser reemplazado por el fabricante o Centro de Servicio Autorizado **TRUPER**, con el fin de evitar algún riesgo de descarga o accidente considerable. La construcción del aislamiento eléctrico de esta herramienta es alterado por saipicaduras o derramamiento de líquidos durante su operación. No la exponga a la lluvia, líquidos y/o humedad. Antes de obtener acceso a las terminales, todos los circuitos de alimentación deben ser desconectados.



## Requerimientos eléctricos

### ADVERTENCIA

Las herramientas de doble aislamiento y aislamiento reforzado están equipadas con una clavija polarizada (una pata es más ancha que la otra). Esta clavija cabe en cualquier enchufe polarizado y sólo puede conectarse de una forma. Si la clavija no cabe en el enchufe, vístelo. Si aún así no cabe, póngase en contacto con un electricista calificado o instale un enchufe polarizado. No altere la clavija en forma alguna. Ambos tipos de aislamiento eliminan la necesidad de un cable de corriente a tierra. Tres partes con conexión a tierra o de un sistema de corriente eléctrica con conexión a tierra.

### ADVERTENCIA

Al usar un cable de extensión, asegúrese de usar el calibre suficiente para transportar la corriente que consumirá su herramienta. Un cable de un calibre inferior ocasionará caídas de tensión en la línea, teniendo como resultado pérdida de potencia y sobrecalentamiento del motor. La siguiente tabla muestra el tamaño correcto que debe usarse dependiendo de la longitud del cable y de la capacidad de amperes indicada en la placa de datos de la herramienta. Si tiene dudas use el siguiente calibre más alto.

Capacidad en Amperes	Número de conductores	Calibre de extensión
de 0 A hasta 10 A	3 (uno a tierra)	de 1.8 m a 15 m   mayor de 15 m
de 10 A hasta 13 A		18 AWG(*)
de 13 A hasta 15 A		16 AWG
de 15 A hasta 20 A		14 AWG
		12 AWG
		6 AWG

\* Se permite utilizarlo siempre y cuando las extensiones mismas cuenten con un artefacto de protección contra sobrecorriente. AWG = Calibre de alambre estadounidense (American Wire Gauge). Referencia: NMX-F-195-AWCE.

### ADVERTENCIA

Al operar herramientas eléctricas en exteriores, utilice una extensión especializada marcada como "Uso exterior" marca **VOLTECK**. Estas extensiones son especiales para el uso en exteriores y reducen el riesgo de sufrir una descarga eléctrica.





Guarde este Instructivo para futuras referencias. Los gráficos de este Instructivo son para referencia, pueden variar del aspecto real de la herramienta.

Para poder sacar el máximo provecho de la herramienta, hacer válida la garantía en caso de ser necesario y evitar riesgos o lesiones graves, es fundamental leer este Instructivo por completo antes de usar la herramienta.

**ATENCIÓN**

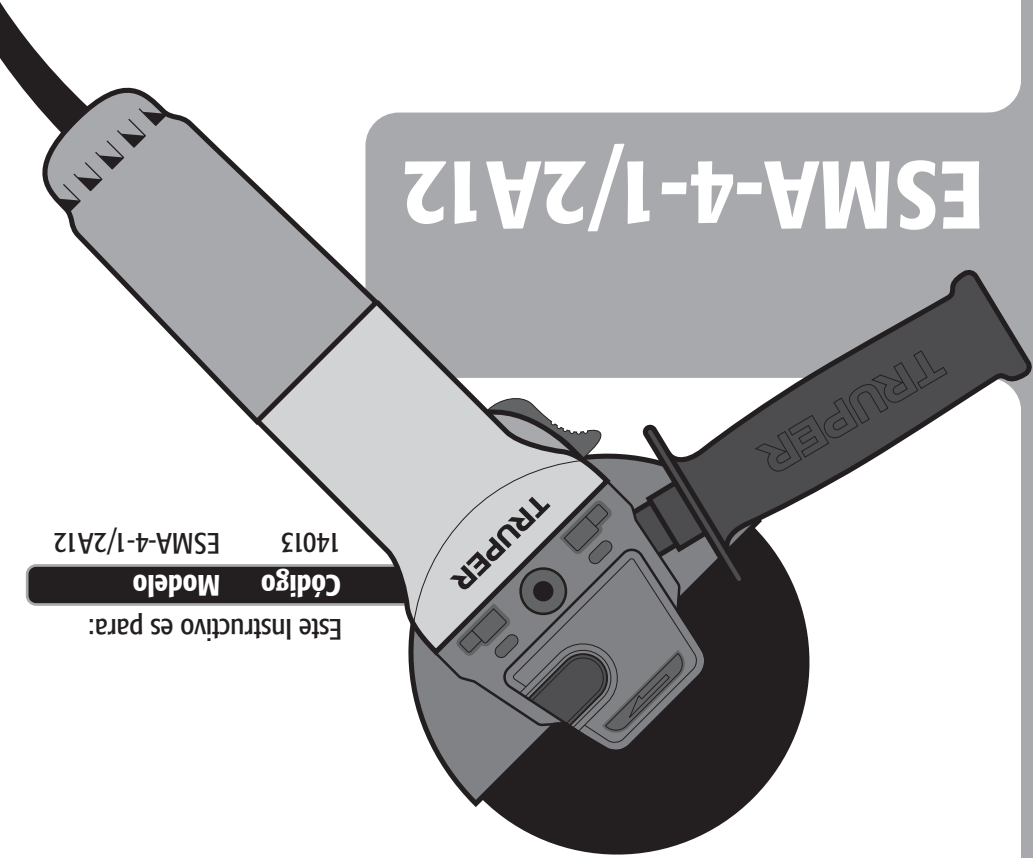
- 3 Especificaciones técnicas
- 3 Requerimientos eléctricos
- 4 Advertencias generales de seguridad para herramientas eléctricas
- 5 Advertencias de Seguridad para uso de esmeriladoras
- 7 Partes
- 7 Montaje
- 8 Puesta en marcha
- 9 Mantenimiento
- 10 Notas
- 11 Centros de Servicio Autorizados
- 12 Póliza de Garantía

Instruccivo de

# Esmiladora angular

Este Instruccivo es para:  
Código 14013  
Modelo ESMA-4-1/2A12

# ESMA-4-1/2A12



**ATENCIÓN**



Lea este Instruccivo por completo  
antes de usar la herramienta.

