

ENGLISH
ESPAÑOL

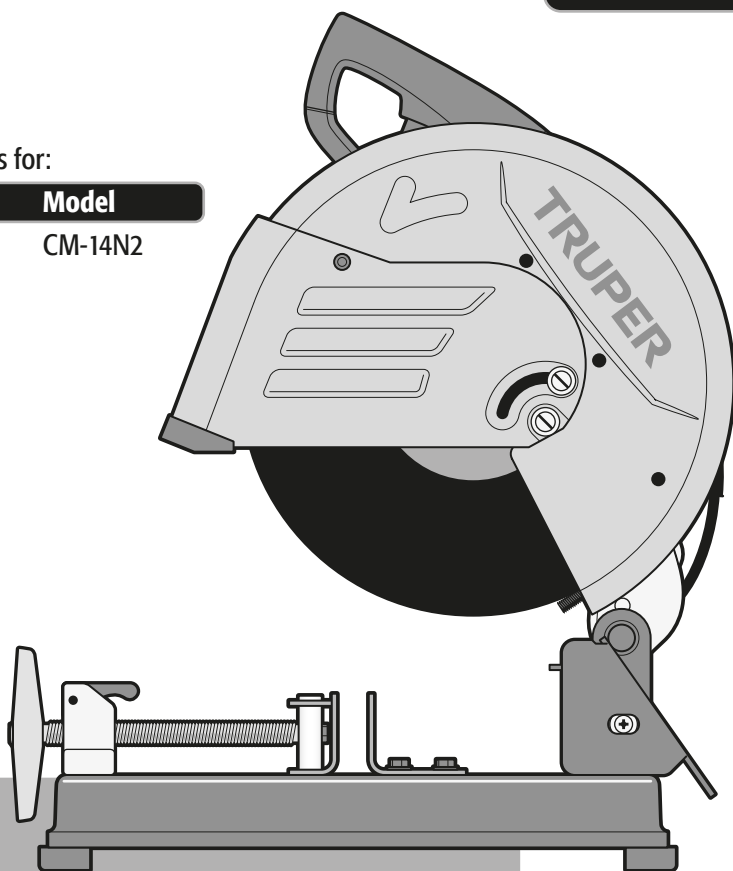
TRUPER[®] INDUSTRIAL

Manual Cut off saw

3 Hp

Applies for:

| Code | Model |
|-------|---------|
| 17733 | CM-14N2 |





CM-14N2

CAUTION



Read the user's manual thoroughly
before operating this tool.



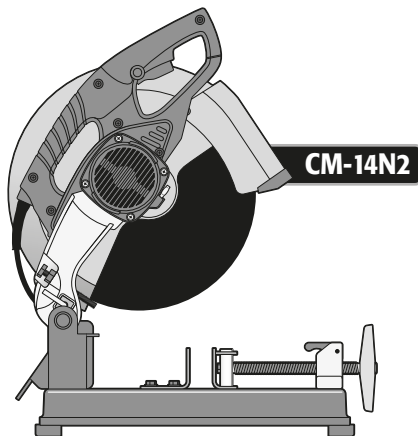
| | |
|---|-----------|
| Technical data | 3 |
| Power requirements | 3 |
|  General power tool safety warnings | 4 |
|  Safety warnings for cut off saws | 5 |
| Parts | 6 |
| Start up | 7 |
| Cutting capabilities | 9 |
| Operation | 9 |
| Maintenance | 10 |
| Authorized service centers | 11 |
| Warranty policy | 12 |

CAUTION

To gain the best performance of the tool, prolong the duty life, make the Warranty valid if necessary and to avoid hazards of fatal injuries please read and understand this Manual before using the tool.

Keep this manual for future references.

The illustrations in this manual are for reference only. They might be different from the real tool.



Technical data

TRUPER[®]
INDUSTRIAL

CM-14N2

| | | | |
|---------------|---|---|-----------------|
| Code | • | 17733 | |
| Description | • | Cut off saw | |
| Disc Diameter | • | 14" | |
| Voltage | • | 127 V~ | |
| Frequency | • | 60 Hz | |
| Current | • | 17.3 A | |
| Power | • | 3 Hp | |
| Speed | • | 4 200 RPM | Spindle • 1" |
| Duty Cycle | • | 50 minutes work per 20 minutes idle. Maximum 6 hours per day. | |
| Conductors | • | 14 AWG x 2C with insulating temperature of 167 °F | |
| Insulation | • | Class II | IP Grade • IP20 |

Power Cord Grips used in this product: Type "Y".
Tool Build Quality: Reinforced Insulation
Thermal insulation on motor winding: Class E

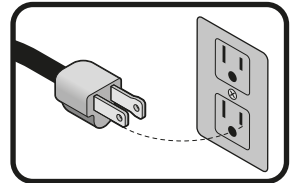
⚠ WARNING Avoid the risk of electric shock or severe injury. When the power cable gets damaged it should only be replaced by the manufacturer or at a **TRUPER** Authorized Service Center. The build quality of the electric insulation is altered if spills or liquid gets into the tool while in use. Do not expose to rain, liquids and/or dampness.

⚠ WARNING Before gaining access to the terminals all power sources should be disconnected.



Power requirements

⚠ WARNING Tools with double insulation and reinforced insulation are equipped with a polarized plug (one prong is wider than the other). This plug will only fit in the right way into a polarized outlet. If the plug cannot be introduced into the outlet, reverse the plug. If it still doesn't fit, call a qualified electrician to install for you a polarized outlet. Do not alter the plug in any way. Both insulation types eliminate the need of both a grounded third power cord with three prongs or a grounded power connection.



⚠ WARNING When using an extension cable, verify the gauge is enough for the power that your product needs. A lower gauge cable will cause voltage drop in the line, resulting in power loss and overheating. The following table shows the right size to use depending on cable's length and the ampere capability shown in the tool's nameplate. When in doubt use the next higher gauge.

| Ampere Capacity | Number of Conductors | Extension gauge | |
|--------------------------|----------------------|--------------------|-------------------|
| | | from 5.9' to 49.2' | higher than 49.2' |
| from 0 A and up to 10 A | 3 (one grounded) | 18 AWG(*) | 16 AWG |
| from 10 A and up to 13 A | | 16 AWG | 14 AWG |
| from 13 A and up to 15 A | | 14 AWG | 12 AWG |
| from 15 A and up to 20 A | | 8 AWG | 6 AWG |

* It is safe to use only if the extensions have a built-in artifact for over current protection.

AWG = American Wire Gauge. Reference: NMX-J-195-ANCE

⚠ WARNING When operating power tools outdoors, use a **VOLTECK** grounded extension cable labeled "For Outdoors Use". These extensions are specially designed for operating outdoors and reduce the risk of electric shock.





General power tool safety warnings



⚠ WARNING! Read carefully all safety warnings and instruction listed below. Failure to comply with any of these warnings may result in electric shock, fire and / or severe damage. **Save all warnings and instructions for future references.**

Work area

Keep your work area clean, and well lit.

Cluttered and dark areas may cause accidents.



Never use the tool in explosive atmospheres, such as in the presence of flammable liquids, gases or dust.

Sparks generated by power tools may ignite the flammable material.



Keep children and bystanders at a safe distance while operating the tool.

Distractions may cause losing control.



Electrical Safety

The tool plug must match the power outlet. Never modify the plug in any way. Do not use any adapter plugs with grounded power tools.

Modified plugs and different power outlets increase the risk of electric shock.



Avoid direct contact with grounded surfaces, such as pipes, radiators, electric ranges and refrigerators.

The risk of electric shock increases if your body is grounded.

Do not expose the tool to rain or wet conditions.

Water entering into the tool increases the risk of electric shock.

Do not force the cord. Never use the cord to carry, lift or unplug the tool. Keep the cord away from heat, oil, sharp edges or moving parts.

Damaged or entangled cords increase the risk of electric shock.

When operating a tool outdoors, use an extension cord suitable for outdoor use.

Using an adequate outdoor extension cord reduces the risk of electric shock.

If operating the tool in a damp location cannot be avoided, use a ground fault circuit interrupter (GFCI) protected supply.

Using a GFCI reduces the risk of electric shock.

Personal safety

Stay alert, watch what you are doing and use common sense when operating a tool. Do not use a power tool while you are tired or under the influence of drugs, alcohol or medication.

A moment of distraction while operating the tool may result in personal injury.

Use personal protective equipment. Always wear eye protection.

Protective equipment such as safety glasses, anti-dust mask, non-skid shoes, hard hats and hearing protection used in the right conditions significantly reduce personal injury.



Prevent unintentional starting up. Ensure the switch is in the "OFF" position before connecting into the power source and / or battery as well as when carrying the tool.

Transporting power tools with the finger on the switch or connecting power tools with the switch in the "ON" position may cause accidents.

Remove any wrench or vice before turning the power tool on.

Wrenches or vices left attached to rotating parts of the tool may result in personal injury.

Do not overreach. Keep proper footing and balance at all times.

This enables a better control on the tool during unexpected situations.

Dress properly. Do not wear loose clothing or jewelry. Keep hair, clothes and gloves away from the moving parts.

Loose clothes or long hair may get caught in moving parts.



If you have dust extraction and recollection devices connected onto the tool, inspect their connections and use them correctly. Use these devices reduce dust-related risks.

Power Tools Use and Care

Do not force the tool. Use the adequate tool for your application.



The correct tool delivers a better and safer job at the rate for which it was designed.

Do not use the tool if the switch is not working properly.

Any power tool that cannot be turned ON or OFF is dangerous and should be repaired before operating.

Disconnect the tool from the power source and / or battery before making any adjustments, changing accessories or storing.

These measures reduce the risk of accidentally starting the tool.

Store tools out of the reach of children. Do not allow persons that are not familiar with the tool or its instructions to operate the tool.



Power tools are dangerous in the hands of untrained users.

Service the tool. Check the mobile parts are not misaligned or stuck. There should not be broken parts or other conditions that may affect its operation. Repair any damage before using the tool.



Most accidents are caused due to poor maintenance to the tools.

Keep the cutting accessories sharp and clean.

Cutting accessories in good working conditions are less likely to bind and are easier to control.

Use the tool, components and accessories in accordance with these instructions and the projected way to use it for the type of tool when in adequate working conditions.

Using the tool for applications different from those it was designed for, could result in a hazardous situation.

Service

Repair the tool in a TRUPER Authorized Service Center using only identical spare parts.

This will ensure that the safety of the power tool is maintained.

Children or people with reduced physical; sensory or mental capabilities shall not operate the tool, neither inexperienced people or without knowledge in the use of the tool, unless supervised by a person responsible of their safety or if receiving previous instructions about the tool operation.

Children shall be kept under supervision to double-check they will not play with the tool. Tight supervision shall be used with children or disabled persons to prevent from using or being close to any household tool.



This tool is in compliance with the Official Mexican Standard (NOM - Norma Oficial Mexicana).



Safety warnings for Cut Off Saws



General

- Use only 14" abrasive discs within the 4 200 RPM levels with specified threads for the tool.
- Do not use this tool to cut wood, masonry, concrete or magnesium.
- Do not use worn or damaged discs.
- NEVER use larger discs than the size indicated for the tool.
- Wear gloves to manipulate the discs.



Before Operating the cut off saw

⚠ CAUTION • Fasten the work piece adequately to prevent body contact with the cutting disc, to prevent the disc from bending or losing control over the tool or work-piece.

⚠ CAUTION • Before each use inspect the retractile guard is working correctly. When the guard is not moving freely or it closes suddenly service it before operating the tool.

- Double-check the disc is correctly installed. Verify it is not hit or damaged. Replace disc immediately if damaged.
- Before using a new disc, or after being idle for long periods of time, turn on the cutter one minute before. In the event the disc has undetected damage it will burst in less than a minute. Do not allow any person to be in the disc cutting line.
- Keep the tool fixed in a perfectly level surface with enough space to handle and support the work piece.
- Fasten all screws and brackets before turning on the cutter.

While Operating the cut off saw

⚠ WARNING • Put hands or any part of your body away from the cutting area and cutting disc. When operating the tool firmly hold the cutter head by its handle to prevent accidental injuries and to prevent losing control.

⚠ DANGER • Accidental contact with a rotating cutting disc could cause severe personal injury.

⚠ CAUTION • Never cut hands-free nor with a loose work piece. The clamping screw should fasten it.

- Feed material in a direction opposite to the disc rotation.
- Keep your body on a side of the cutting axle away from sparks or residues thrown by the tool.

⚠ CAUTION • Do not try to remove scrap material while the cutting disc is rotating.

⚠ WARNING • Remember the guards do not protect you from the moving disc underneath the work piece. Never put your hand under while the tool is running.

⚠ WARNING • ALWAYS keep the power supply cord away from the cutting area. The cord should NEVER hang on top of the work piece.

⚠ CAUTION • Never remove residues accumulated in the disc by hand. Use a brush.

⚠ CAUTION • Never try to free a stuck disc if the tool is not OFF and disconnected.

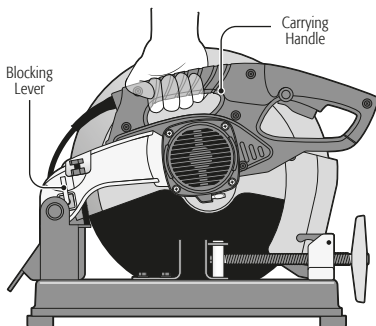
⚠ CAUTION • Do not try to stop the disc using a piece of wood or with the axle lock. Let it stop freely after turning off the machine.

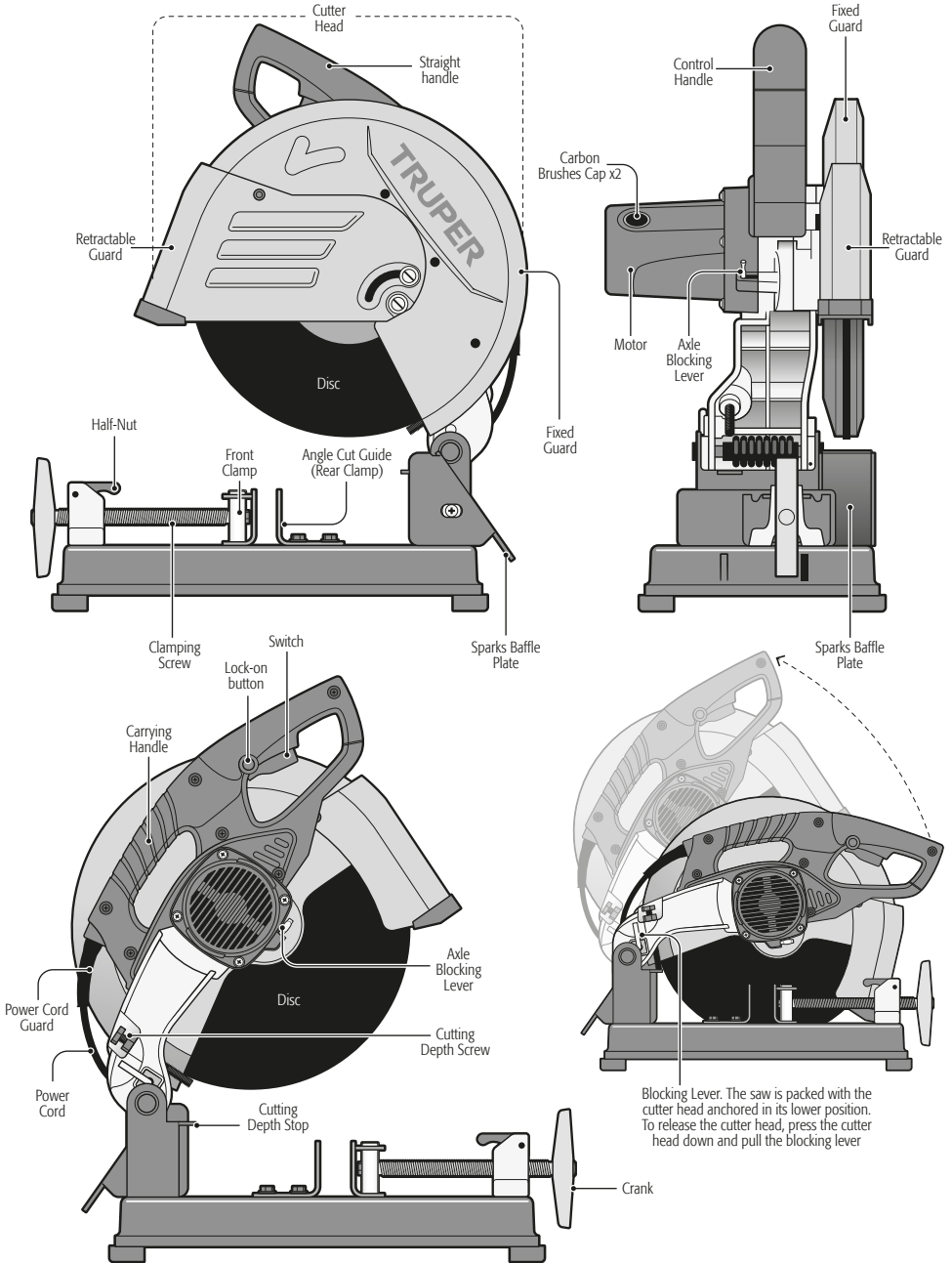
⚠ CAUTION • Hold the tool by the insulated parts. If you accidentally cut a power cable the metallic parts will carry an electric shock to the operator. If this happens immediately turn off and disconnect the tool.

• When pieces are bigger than the work table support them on the left side and use auxiliary supports if needed.

After Operating the cut off saw

- Double-check the disc has come to a complete stop before replacing it, fastening the work piece, changing the cutting angle or turning off the tool.
- Periodically check all screws and nuts are perfectly fastened.
- To carry the tool, lower the cutter head and secure with the blocking lever. Lift the cutter by the carrying handle. Never use the cable or the control handle.





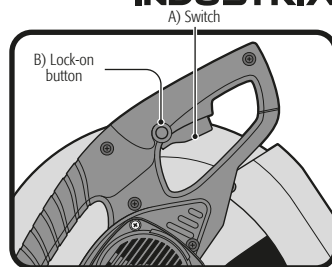
Blocking Lever. The saw is packed with the cutter head anchored in its lower position. To release the cutter head, press the cutter head down and pull the blocking lever

Start up

TRUPER[®]
INDUSTRIAL

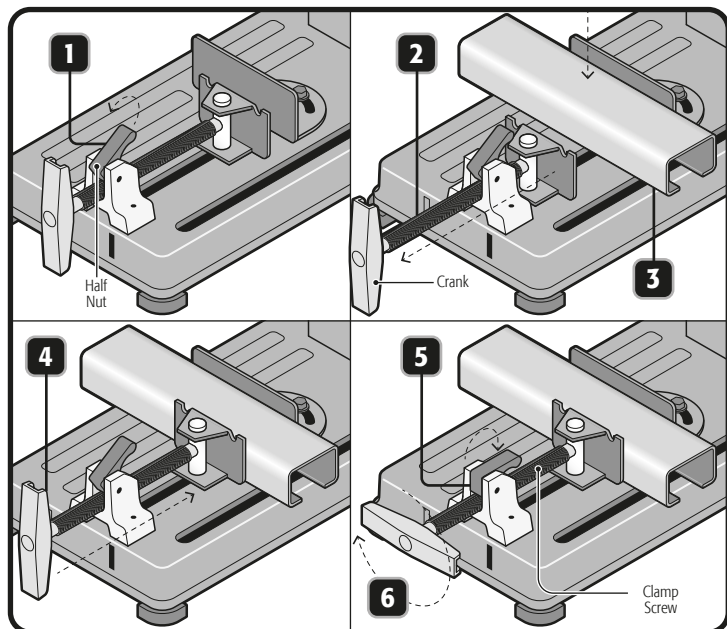
Turning On and Operation Control

- Intermittent Operation:
Connect the plug to the outlet.
Press the switch **(A)** to start the operation.
To stop use, just release the switch.
- Continuous Operation:
Connect the plug to the outlet.
Press the switch **(A)** and lock it, pressing continuous use button **(B)**.
To stop operation, press and release the switch.



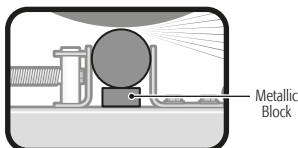
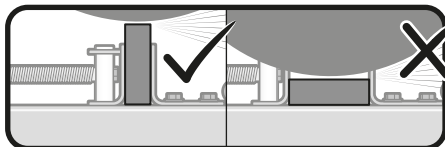
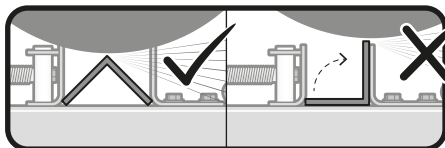
Fastening the Work Piece

1. Lift the half-nut.
2. Pull the crank outwards.
3. Set the work piece.
4. Push the crank until it touches the work piece.
5. Lower the half-nut.
6. Turn the crank to fasten the work piece.



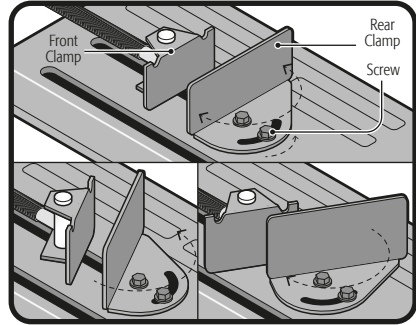
- Set the work piece in a way it cannot move while the disc is making contact.
- Pieces in an angle shall be worked inverted.
- Cuts will be more efficient if the disc cuts the lowest thickness section.
- Insert a metallic block slightly smaller than the work piece when the disc diameter is worn due to wear.

CAUTION • Never make hands-free cuts if the clamping screw does not correctly clamp the work piece.



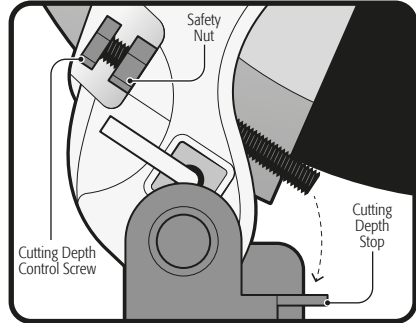
Cutting Angle Adjustment

- Loosen both knobs in the rear clamp.
- Turn it into the desired angle.
- Tighten back both knobs.
- The front clamp will rotate on its axle to automatically adjust to the work piece.



Cutting Depth Adjustment

- Loosen the safety nut.
- Turn the depth control screw into the desired height. When it is in contact with the depth stop shows the cutter head depth limit.
- Tighten back the safety nut.
- If the disc diameter is diminished due to wear, cutting depth should be increased.

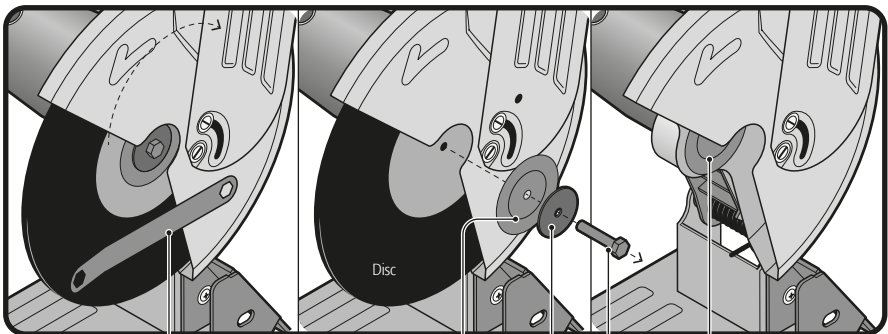
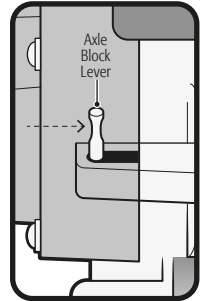


Disc Installation

- CAUTION** • Disconnect the tool before replacing the disc.
- Move the retractile guard up.
 - Press the axle block lever inwards and at the same time turn the disc by hand until the axle is blocked.
 - Loosen the axle screw turning in a counterclockwise direction. Remove it all together with the washer, the exterior platter and the disc. **DO NOT REMOVE THE INNER PLATTER FROM THE DISC.**
 - Double-check the inner side of the disc

platters are clean and free of any substance.

- Set the new disc, exterior platter, the washer and the axle screw. Tight in a clockwise direction just enough to firmly support the disc. Excessive tightening could damage the disc or the axle thread.
- Move the retractile guard downwards and verify the shaft lock is released before turning on the tool.



Hex Key

Outer Platter

Washer

Axle Screw

Inner Platter

Cutting capabilities

⚠ CAUTION The cutter is designed for ferrous materials. Do not try to cut wood, masonry or magnesium.

| | Pipe | Square Pipe | Rectangular Pipe |
|-----|------|-------------|------------------|
| 90° | 2.9" | 3.1" | 3.5" x 3.1" |
| 45° | 2.9" | 2.3" | 3.5" x 2.3" |

Operation

- Double-check the disc is not making contact with the work piece before turning on the tool.
- Let the disc reach its maximum speed before starting to cut.
- Use the saw handle to lower the cutter head. Use a firm and continuous movement. Use care not to bang or push strongly the piecework with the disc. This prevents the disc from going out of rotation causing a bad cut or breaking the disc.
- Once the disc penetrates the work piece, continue cutting with a light and constant movement to get a clean and even cut.
- When finishing the cut raise the cutter head and wait for the disc to stop completely before checking the work piece.

Additional Advise

⚠ CAUTION • Double check there are no screws, rivets or any object incrustated in the section of the work piece you are about to cut.

⚠ CAUTION • Before making any cut take the necessary time to determine the ideal way to fasten the work piece.

⚠ CAUTION • Use extra care when working piece that are too small, too large or have an irregular shape.

- If working pieces larger than the work area use auxiliary supports. Keep the cut piece free to move aside the disc once the cut is finished.

⚠ WARNING • Do not allow other person to hold the work piece in the event it is larger than the work area.

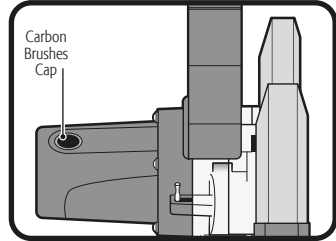
- Do not use this tool to cut pieces that are too small and that cannot easily be fastened with the clamping screw.

- In the event the work piece gets stuck in the disc, release the switch to turn off the tool, wait for all the mobile parts to stop, disconnect the saw and only then remove the stuck piece.
- If the motor stops suddenly while cutting, release the trigger switch, disconnect the tool and separate the disc from the work piece. Turn on the tool again and finish cutting.
- Making cuts too fast or stopping and starting many time in a short period of time may overload the motor, thus blowing the fuses or disconnecting the automatic switches.
- Voltage in the cables should not be 10% up or below 127 V~ Otherwise fuses may blow or automatic switches may be disconnected.

- To prevent damaging the motor, you need to apply pressurized air or vacuum frequently to avoid dust interfering with the normal motor ventilation.

Carbon Brush Replacement

- It is necessary to replace worn carbons (or burnt, broken or smaller than 0.19" long) with new carbons.
- Replace both carbon brushes every time you need to replace them.
- Remove the worn carbons from the carbon housing and use compressed air to remove the accumulated dust.
- Set the new carbons reversing the order, carbons should easily drop into the housings.
- After setting the new carbon brushes allow the tool to run unloaded 10 minutes so allow the carbons to adjust better.
- Use only **TRUPER[®]** spare carbon brushes with the adequate electric resistance for each type of motor. Carbon brushes that are out of specifications may damage the motor.



In the event of any problem contacting a Truper Authorized Service Center, please see our webpage www.truper.com to get an updated list, or call our toll-free numbers **800 690-6990** or **800-018-7873** to get information about the nearest Service Center.

- AGUASCALIENTES** **DE TODO PARA LA CONSTRUCCIÓN**
GRAL. BARRAGÁN #1201, COL. GREMIAL, C.P. 20030,
AGUASCALIENTES, AGS. TEL.: 449 994 0537
- BAJA CALIFORNIA** **SUCURSAL TIJUANA**
AV. LA ENCANTADA, LOTE #5, PARQUE INDUSTRIAL EL
FLORIDO II, C.P. 22244, TIJUANA, B.C.
TEL.: 664 969 5100
- BAJA CALIFORNIA SUR** **FIX FERRETERÍAS**
FELIPE ÁNGELES ESQ. RUIJ CORTÍNEZ S/N, COL. PUEBLO
NUEVO, C.P. 23670, CD. CONSTITUCIÓN, B.C.S.
TEL.: 615 152 1115
- CAMPECHE** **TORNILLERÍA Y FERRETERÍA AAA**
AV. ÁLVARO OBREGÓN #324, COL. ESPERANZA
C.P. 24080 CAMPECHE, CAMP. TEL.: 981 815 2808
- CHIAPAS** **FIX FERRETERÍAS**
AV. CENTRAL SUR #27, COL. CENTRO, C.P. 30700,
TAPACHULA, CHIS. TEL.: 962 118 4083
- CHIHUAHUA** **SUCURSAL CHIHUAHUA**
AV. SILVESTRE TERRAZAS #128-11, PARQUE INDUSTRIAL
BAFAR, CARRETERA MÉXICO CUAUHTÉMOC, C.P. 31415,
CHIHUAHUA, CHIH. TEL.: 614 434 0052
- CIUDAD DE MÉXICO** **FIX FERRETERÍAS**
EL MONSTRUO DE CORREGIDORA, CORREGIDORA # 22,
COL. CENTRO, C.P. 06060, CUAUHTÉMOC, CDMX.
TEL.: 55 5522 5051 / 5522 4861
- COAHUILA** **SUCURSAL TORREÓN**
CALLE METAL MECÁNICA #280, PARQUE INDUSTRIAL
ORIENTE, C.P. 27278, TORREÓN, COAH.
TEL.: 871 209 68 25
- COLIMA** **BOMBAS Y MOTORES BYMTESSA DE MANZANILLO**
BLVD. MIGUEL DE LA MADRID #190, COL. 16 DE
SEPTIEMBRE, C.P. 28259, MANZANILLO, COL.
TEL.: 314 352 1986 / 352 8013
- DURANGO** **TORNILLOS ÁGUILA, S.A. DE C.V.**
MAZURIO #200, COL. LUIS ECHEVERRÍA, DURANGO,
DGO. TEL.: 618 817 1946 / 618 818 2844
- ESTADO DE MÉXICO** **SUCURSAL CENTRO JILOTEPEC**
PARQUE INDUSTRIAL # 1, COL. PARQUE INDUSTRIAL
JILOTEPEC, JILOTEPEC, EDO. DE MÉX. C.P. 54257
TEL.: 761 782 9101 EXT. 5728 Y 5102
- GUANAJUATO** **CÍA. FERRETERA NUEVO MUNDO S.A. DE C.V.**
AV. MÉXICO - JAPÓN #225, CD. INDUSTRIAL, C.P. 38010,
CELAYA, GTO. TEL.: 461 617 7578 / 79 / 80 / 88
- GUERRERO** **CENTRO DE SERVICIO ECLIPSE**
CALLE PRINCIPAL MZ1 LT. 1, COL. SANTA FE, C.P. 39010,
CHILPANCIÑO, GRO. TEL.: 747 478 5793
- HIDALGO** **FERREPRECIOS S.A. DE C.V.**
LIBERTAD ORIENTE #304 LOCAL 30, INTERIOR DE PASAJE
ROBLEDO, COL. CENTRO, C.P. 43600, TULANCINGO,
HGO. TEL.: 775 755 6615 / 775 755 6616
- JALISCO** **SUCURSAL GUADALAJARA**
AV. ADOLFO B. HORN # 6800, COL: SANTA CRUZ DEL
VALLE, C.P.: 45655, TLAJOMULCO DE ZÚÑIGA, JAL.
TEL.: 33 3606 5285 AL 90
- MICHOACÁN** **FIX FERRETERÍAS**
AV. PASEO DE LA REPÚBLICA #3140-A, COL.
EX-HACIENDA DE LA HUERTA, C.P. 58050, MORELIA,
MICH. TEL.: 443 354 6858
- MORELOS** **FIX FERRETERÍAS**
CAPITÁN ANZURES #95, ESQ. JOSÉ PERDIZ, COL.
CENTRO, C.P. 62740, CUAUTLA, MOR.
TEL.: 735 352 8931
- NAVARRIT** **HERRAMIENTAS DE TEPIC**
MAZATLAN #117, COL. CENTRO, C.P. 63000, TEPIC, NAY.
TEL.: 311 258 0540
- NUEVO LEÓN** **SUCURSAL MONTERREY**
CARRETERA LAREDO #300, 1B MONTERREY PARKS,
COLONIA PUERTA DE ANAHUAC, C.P. 66052, ESCOBEDO,
NUEVO LEÓN, TEL.: 81 8352 8791 / 81 8352 8790
- OAXACA** **FIX FERRETERÍAS**
AV. 20 DE NOVIEMBRE #910, COL. CENTRO, C.P. 68300,
TUXTEPEC, OAX. TEL.: 287 106 3092
- PUEBLA** **SUCURSAL PUEBLA**
AV. PERIFÉRICO #2-A, SAN LORENZO ALMECATLA,
C.P. 72710, CUAUHTLACINGO, PUE.
TEL.: 222 282 8282 / 84 / 85 / 86
- QUERÉTARO** **ARU HERRAMIENTAS S.A. DE C.V.**
AV. PUERTO DE VERACRUZ #110, COL. RANCHO DE
ENMEDIO, C.P. 76842, SAN JUAN DEL RÍO, QRO.
TEL.: 427 268 4544
- QUINTANA ROO** **FIX FERRETERÍAS**
CARRETERA FEDERAL MZ. 46 LT. 3 LOCAL 2, COL. EIDAL,
C.P. 77710 PLAYA DEL CARMEN, Q.R.
TEL.: 984 267 3140
- SAN LUIS POTOSÍ** **FIX FERRETERÍAS**
AV. UNIVERSIDAD #1850, COL. EL PASEO, C.P. 78320,
SAN LUIS POTOSÍ, S.L.P. TEL.: 444 822 4341
- SINALOA** **SUCURSAL CULIACÁN**
AV. JESÚS KUIMATE SUR #4301, COL. HACIENDA DE LA
MORA, C.P. 80143, CULIACÁN, SIN.
TEL.: 667 173 9159 / 173 8400
- SONORA** **FIX FERRETERÍAS**
CALLE 5 DE FEBRERO #517, SUR LT. 25 MZ. 10, COL.
CENTRO, C.P. 85000, CD. OBREGÓN, SON.
TEL.: 644 413 2392
- TABASCO** **SUCURSAL VILLAHERMOSA**
CALLE HELIO LOTES 1, 2 Y 3 MZ. #1, COL. INDUSTRIAL,
2A ETAPA, C.P. 86010, VILLAHERMOSA, TAB.
TEL.: 993 555 7244
- TAMAULIPAS** **VM ORINGS Y REFACCIONES**
CALLE ROSITA #527 ENTRE 20 DE NOVIEMBRE Y GRAL.
RODRÍGUEZ, FRACC. REYNOSA, C.P. 88780, REYNOSA,
TAMS. TEL.: 899 926 7552
- TLAXCALA** **SERVICIOS Y HERRAMIENTAS INDUSTRIALES**
PABLO SIDAR #132, COL. BARRIO DE SAN BARTOLOMÉ,
C.P. 90970, SAN PABLO DEL MONTE, TLAX.
TEL.: 222 271 7502
- VERACRUZ** **LA CASA DISTRIBUIDORA TRUPER**
BLVD. PRIMAVERA, ESQ. HORTENSIA S/N, COL.
PRIMAVERA, C.P. 93308, POZA RICA, VER.
TEL.: 782 823 8100 / 826 8484
- YUCATÁN** **SUCURSAL MÉRIDA**
CALLE 33 #600 Y 602, LOCALIDAD ITZINCAB Y Mulsay,
MPIO. UMAN, C.P. 97390, MÉRIDA, YUC.
TEL.: 999 912 2451

| Code | Model | Brand |
|-------------|--------------|-------------------------------|
| 17733 | CM-14N2 | TRUPER® INDUSTRIAL |

Warranty. Duration: 5 year. Coverage: parts, components and workmanship against manufacturing or operating defects, except if used under conditions other than normal; when it was not operated in accordance with the instructive; was altered or repaired by personnel not authorized by **Truper®**. To make the warranty valid, only present the product in the establishment where you bought it or in Corregidora 35, Centro, Cuauhtémoc, CDMX, 06060, where you can also purchase parts, components, consumables and accessories. The costs of transportation of the product that derive from its fulfillment of its service network are included. **Truper will not require any proof of purchase to make the warranty effective.** Phone number 800-018-7873. Made in China. Imported by Truper, S.A. de C.V. Parque Industrial 1, Parque Industrial Jilotepec, Jilotepec, Edo. de Méx. C.P. 54257, Phone number 761 782 9100.

Stamp of the business. Delivery date:





Sello del establecimiento comercial. Fecha de entrega:

Garantía. Duración: 5 años. Cobertura: piezas, componentes y mano de obra contra defectos de fabricación o funcionamiento, excepto si se usó en condiciones distintas a las normales; cuando no fue operado conforme a las instrucciones; fue alterado o reparado por personal no autorizado por Truper®. Para hacer efectiva la garantía únicamente presente el producto en el establecimiento donde lo compró o en Corregidora 35, Centro, Cuahuhtémoc, CDMX, 06060, donde también podrá adquirir partes, componentes, consumibles y accesorios. Incluye los gastos de transportación del producto que deriven de su cumplimiento de su red de servicio. Truper no solicitará ningún tipo de comprobante de pago para hacer efectiva la garantía. Tel. 800-018-7873. Made in/Hecho en China. Importador Truper, S.A. de C.V. Parque Industrial 1, Parque Industrial Jilotepec, Jilotepec, Edo. de Méx. C.P. 54257, Tel. 761 782 9100.

TRUPER
INDUSTRIAL

Modelo
GM-14N2

Código
17733

Póliza de
garantía

TRUPER®
INDUSTRIAL

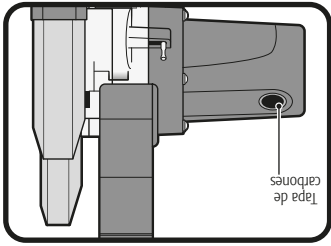
En caso de tener algún problema para contactar un Centro de Servicio Autorizado Truper® consulte nuestra página www.truper.com donde obtendrá un listado actualizado, o llame al: 800 690 6990 u 800-018-7873 donde le informarán cuál es el Centro de Servicio más cercano.

| | |
|----------------------------|---|
| AGUASCALIENTES | DE TODO PARA LA CONSTRUCCIÓN GRAL. BARROCANO #1201, COL. CREMALLA, C.P. 20030, AGUASCALIENTES, AGS. TEL.: 449 994 0537 |
| BAJA CALIFORNIA | SUCURSAL TIJUANA AV. LA ENCANTADA, LOTE #5, PARQUE INDUSTRIAL EL FLORIDO II, C.P. 22244, TIJUANA, B.C. TEL.: 664 969 5100 |
| BAJA CALIFORNIA SUR | FIX FERRERÍAS FELIPE ÁNGELES ESQ. RUIZ CORTIÑEZ S/N, COL. PUERTO NUEVO, C.P. 25670, CD. CONSTITUCIÓN, B.C.S. TEL.: 615 152 1115 |
| CAMPACHE | TORNILLERÍA Y FERRERÍA AAA AV. ALVARO OBREGÓN #324, COL. ESPERANZA C.P. 24080 CAMPACHE, CAMP. TEL.: 981 815 2808 |
| CHIHUAHUA | SUCURSAL CHIHUAHUA AV. SILESTER TERREZAS #128-11, PARQUE INDUSTRIAL BARRA CARRETERA MEXICO CUAUHTEMOC, C.P. 31415, CHIHUAHUA, CHIH. TEL. 614 454 0052 |
| CIUDAD DE MEXICO | FIX FERRERÍAS EL MONSTRUO DE CORRERIDORA, CORRERIDORA # 22, COL. CENTRO, C.P. 06060, CUAUHTEMOC, CDMX. TEL.: 55 5222 5051 / 5522 4861 |
| COAHUILA | SUCURSAL TORREÓN CALE MEXIA MECÁNICA #280, PARQUE INDUSTRIAL ORIENTE, C.P. 27278, TORREÓN, COAH. TEL.: 871 209 68 23 |
| COLIMA | BOMBAS Y MOTORES BYMTECA DE MANZANILLO BLVD. MIGUEL DE LA MADRID #190, COL. 16 DE SEPTIEMBRE, C.P. 28239, MANZANILLO, COL. TEL.: 514 532 1986 / 532 8015 |
| DURANGO | TORNILLAS ÁGUILA, S.A. DE C.V. MAZUNO #200, COL. LUIS ECHVERRÍA, DURANGO, DGO. TEL.: 618 817 1946 / 618 818 2844 |
| ESTADO DE MEXICO | SUCURSAL CENTRO JILOTEPEC PARQUE INDUSTRIAL # 1, COL. PARQUE INDUSTRIAL JILOTEPEC, JILOTEPEC, EDO. DE MEX. C.P. 54257 TEL.: 761 782 9101 EXT. 5728 Y 5102 |
| GUANAJUATO | CLA FERRERÍA NUEVO MUNDO S.A. DE C.V. AV. MEXICO - JAPON #225, CD. INDUSTRIAL, C.P. 38010, CELVA, GTO. TEL.: 461 617 7578 / 79 80 / 88 |
| GUERRERO | CENTRO DE SERVICIO ECUIPSE CALE PRINCIPAL MZ11 IT. 1, COL. SANTA FE, C.P. 39010, CHILPANCIÑO, GRO. TEL.: 747 478 5793 |
| HIDALGO | FIX FERRERÍAS DE C.V. LIBERTAD ORIENTE #504 LOCAL 30, INTERIOR DE PASARÉ ROBLEDO, COL. CENTRO, C.P. 45600, TULANCIÑO, HGO. TEL.: 775 753 6615 / 775 753 6616 |
| JALISCO | SUCURSAL GUADALAJARA AV. ADOLFO B. HORN #800, COL. SANTA CRUZ DEL VALLE, C.P. 45655, TLAJAMULCO DE ZUNIGA, JAL. TEL.: 33 3606 5285 AL 90 |
| MICHOACÁN | AV. PASCO DE LA REPUBLICA #3140-A, COL. EX-HACIENDA DE LA HUERTA, C.P. 58050, MORELIA, MICH. TEL.: 443 334 6858 |
| MORELOS | FIX FERRERÍAS CAPITÁN ANZURES #95, ESQ. JOSÉ PERDIZ, COL. CENTRO, C.P. 62740, CUAUTLA, MOR. TEL.: 753 552 8931 |
| NAVARIT | HERRAMIENTAS DE TEPIC MAZATLÁN #117, COL. CENTRO, C.P. 63000, TEPIC, NAY. TEL.: 511 258 0540 |
| NEUVO LEÓN | SUCURSAL MONTERREY CARRETERA LAREDO #500, 18 MONTERREY PARKS, COLONIA PUERTA DE ANHUAQUA, C.P. 66052, ESCOBEDO, NUEVO LEÓN, TEL.: 81 8352 8791 / 81 8352 8790 |
| OAXACA | FIX FERRERÍAS AV. 20 DE NOVIEMBRE #910, COL. CENTRO, C.P. 68300, TUXTEPEC, OAX. TEL.: 287 106 3092 |
| PUEBLA | SUCURSAL PUEBLA AV. PERRIERO #7-A, SAN LORENZO ALMECATLA, PUE. TEL.: 222 282 8282 / 84 / 85 / 86 |
| QUERÉTARO | ARU HERRAMIENTAS S.A. DE C.V. AV. PUERTO DE VERACRUZ #110, COL. RANCHO DE ENMEDIO, C.P. 76842, SAN JUAN DEL RÍO, QRO. TEL.: 427 268 4544 |
| QUINTANA ROO | FIX FERRERÍAS CARRETERA FEDERAL MZ. 46 IT. 3 LOCAL 2, COL. EIDAL, C.P. 77170 PLAYA DEL CARMEN, Q.R. TEL.: 984 267 3140 |
| SAN LUIS POTOSÍ | FIX FERRERÍAS AV. UNIVERSIDAD #1850, COL. EL PASO, C.P. 78320, SAN LUIS POTOSÍ, S.L.P. TEL.: 444 822 4341 |
| SINALOA | SUCURSAL CUICUILTAN AV. JESUS KUWATE CURS #4301, COL. HACIENDA DE LA MORVA, C.P. 80145, CUICUILTAN, SIN. TEL.: 667 175 9159 / 175 8400 |
| SONORA | FIX FERRERÍAS CENTRO 5 DE FEBRERO #517, SUR IT. 25 MZ. 10, COL. CENTRO, C.P. 85000, CD. OBERCÓN, SON. TEL.: 644 415 2392 |
| TABASCO | SUCURSAL VILLAHERMOSA CALE HELIO LOTES 1, 2 Y 3 MZ. #1, COL. INDUSTRIAL, ZA ETAPA, C.P. 86010, VILLAHERMOSA, TAB. TEL.: 995 353 244 |
| TAMAU-LIPAS | VM ORINOS REACCIONES CALE ROSITA #527 ENTRE 20 DE NOVIEMBRE Y GRAL. RODRIGUEZ, FRACC. REYNOSA, C.P. 88780, REYNOSA, TAMS. TEL.: 899 926 7522 |
| TLAXCALA | SERVICIOS Y HERRAMIENTAS INDUSTRIALES PABLO SIDAR #132, COL. BARRIO DE SAN BARTOLOMÉ, C.P. 90970, SAN PABLO DEL MONTE, TLAX. TEL.: 222 277 7502 |
| VERACRUZ | LA CASA DISTRIBUIDORA TRUPER BLVD. PRIMAVERA ESQ. HORTENSIA S/N, COL. PRIMAVERA, C.P. 93308, POZA RICA, VER. TEL.: 782 823 8100 / 826 8484 |
| YUCATÁN | SUCURSAL MÉRIDA CALE 33 #600 Y 602, LOCALIDAD ITZINAB Y MUNSAJ, MPID, UMMAY, C.P. 97390, MÉRIDA, YUC. TEL.: 999 912 2451 |

- Para evitar daños al motor, aplique aire a presión o aspire frecuentemente para evitar que el polvo interfiera con la ventilación normal del motor.

Cambio de carbonos

- Es necesario reemplazar los carbonos desgastados (quemados, rotos o de menos de 5 mm de largo), por carbonos nuevos.
- Cuando se haga el cambio de carbonos siempre deben cambiarse los dos carbonos.
- Retire los carbonos desgastados del portacarbones y retire el polvo acumulado con aire comprimido.
- Coloque los carbonos nuevos invirtiendo el orden. Los carbonos deben caer en los portacarbones fácilmente.
- Después de colocar los carbonos nuevos, permita que la herramienta funcione durante 10 minutos sin carga de trabajo para que los carbonos tengan un mejor ajuste.
- Solo se deben de usar carbonos de repuesto **TRUPER**, diseñados con la dureza y la resistencia eléctrica adecuada para cada tipo de motor. Los carbonos fuera de especificaciones pueden dañar el motor.

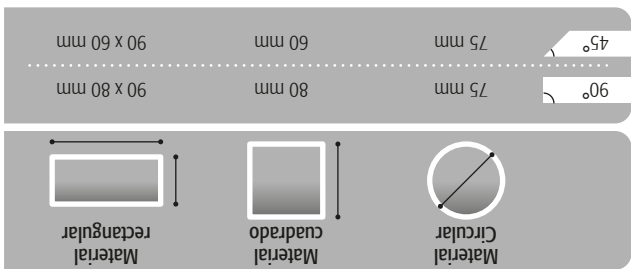


- En caso de que la pieza de trabajo atisque el disco suelte el interruptor para apagar la herramienta, espere a que se detengan todas las partes móviles, desconecte la herramienta y sólo entonces retire la pieza atorada.
- Si el motor se detiene repentinamente durante un corte, libere el gatillo interruptor, desconecte la herramienta y separe el disco de la pieza de trabajo. Encienda de nuevo la herramienta y termine de hacer el corte.
- Hacer cortes demasiado rápidos o detener y comenzar cortes muchas veces en un período de tiempo corto puede sobrecargar el motor, lo que puede fundir los fusibles o desconectar los interruptores automáticos.
- La tensión de los cables no debe de estar 10% arriba o abajo de 127 V ~. De lo contrario puede fundir los fusibles o desconectar los interruptores automáticos.

- Asegúrese que el disco no esté en contacto con la pieza de trabajo antes de encender la herramienta.
 - Permita que el disco alcance su velocidad máxima antes de iniciar el corte.
 - Utilice el mango de control de la cortadora para bajar el cabezal de corte con un movimiento firme y continuo, cuidando de no golpear o empujar con mucha fuerza la pieza de trabajo con el disco, y así evitar que el disco salga de su rotación lo que provocaría un mal corte o la rotura del disco.
 - Una vez que el disco haya entrado en la pieza de trabajo, continúe el corte con un movimiento suave y constante para lograr un corte uniforme y limpio.
 - Al terminar el corte levante el cabezal de corte y espere a que se detenga el disco por completo antes de revisar la pieza de trabajo.
- ATENCIÓN** • Asegúrese que no hayan tornillos, remaches o cualquier objeto incrustado en la sección de la pieza de trabajo que se va a cortar.
- ATENCIÓN** • Antes de realizar cualquier corte tome el tiempo necesario para determinar la manera ideal de sujetar la pieza de trabajo.
- ATENCIÓN** • Tenga mayor precaución al trabajar piezas muy pequeñas, muy grandes, o de forma irregular. En caso de trabajar piezas grandes que sobrepasen el área de trabajo utilice soportes auxiliares y mantenga libre la pieza cortada para que se mueva al lado del disco una vez realizado el corte.
- ADVERTENCIA** • No deje que otra persona sostenga la pieza de trabajo en caso de que sobrepasen el área de trabajo.
- No utilice esta herramienta para cortar piezas demasiado pequeñas que no puedan sujetarse fácilmente con el tornillo de sujeción.

Consejos adicionales

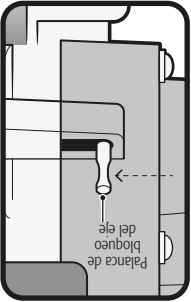
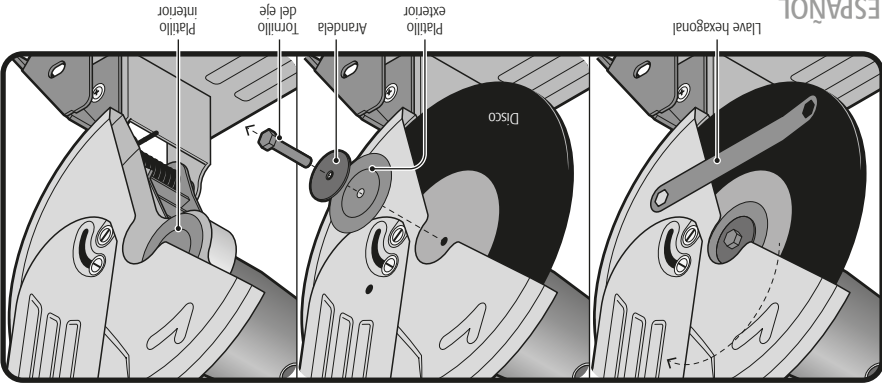
Operación



ATENCIÓN La cortadora está diseñada para materiales ferrosos. No intente cortar madera, mampostería o magnesio.

Capacidades de corte

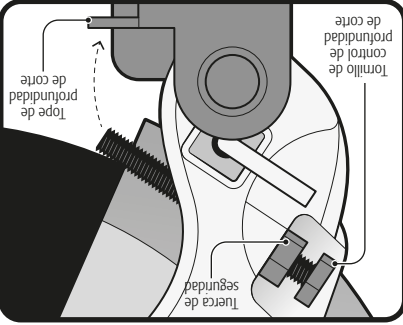
TRUPER[®]
INDUSTRIAL



• Asegúrese de que la superficie del interior de los patillos del disco limpia y libre de cualquier sustancia.
 • Instale el disco nuevo, el pajillo exterior, la arandela y el tornillo eje. Apriételo en el mismo sentido de las manecillas del reloj, sólo lo suficiente para sujetar el disco firmemente. Un apretado excesivo podría dañar el disco o la cuerda del eje.
 • Mueva la guarda retráctil hacia abajo y asegúrese de que el seguro de flecha esté liberado antes de encender la herramienta.

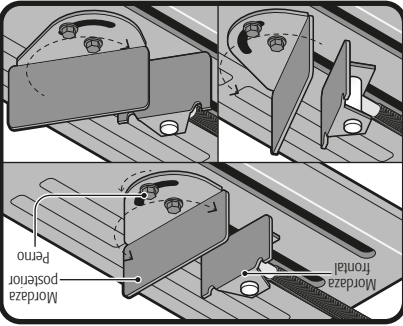
¡ATENCIÓN! • Desconecte la herramienta antes de cambiar el disco.
 • Presione hacia adentro la palanca de bloqueo del eje y al mismo tiempo gire el disco con la mano hasta que el eje quede bloqueado.
 • Afloje el tornillo del eje girando en sentido contrario a las manecillas del reloj, remuévalo junto con la arandela, el pajillo exterior y el disco. NO REMUEVA EL PLATILLO INTERIOR DEL DISCO.

Instalación del disco



• Afloje la tuerca de seguridad.
 • Gire el tornillo de control de profundidad a la altura deseada. Este, en contacto con el tope de profundidad es el límite de profundidad del cabezal de corte.
 • Apriete de nuevo la tuerca de seguridad.
 • Si el diámetro del disco disminuye debido al desgaste, la profundidad de corte deberá incrementarse.

Ajuste de profundidad de corte



• Afloje los dos pernos de la mordaza posterior.
 • Gírela al ángulo deseado.
 • Apriete de nuevo los dos pernos.
 • La mordaza frontal girará sobre su eje para ajustarse automáticamente a la pieza de trabajo.

Ajuste de ángulo de corte

Puesta en marcha

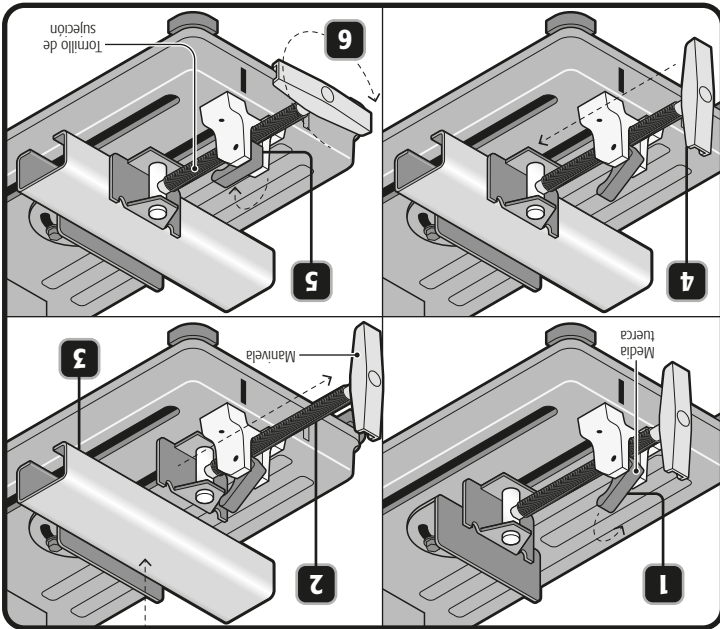
Encendido y control de operación

- Operación Intermitente: Conecte la clavija al tomacorriente. Presione el interruptor (A) para que la tronadora comience a funcionar. Para interrumpir su uso, simplemente suelte el interruptor.
- Operación Continua: Conecte la clavija al tomacorriente. Presione el interruptor (A) y bloquéelo, apretando el botón para uso continuo (B).

Para interrumpir su funcionamiento, presione y después suelte el interruptor.

Sujetar la pieza de trabajo

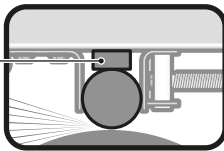
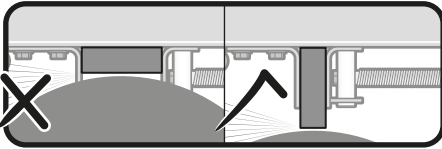
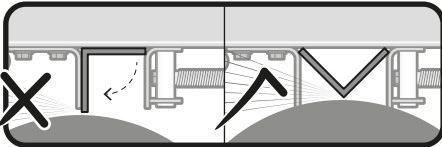
1. Levante la media tuerca.
2. Jale la manivela hacia afuera.
3. Coloque la pieza de trabajo.
4. Empuje la manivela hasta topar con la pieza de trabajo.
5. Baje la media tuerca.
6. Gire la manivela para asegurar la pieza de trabajo.



- Coloque la pieza de trabajo de manera que no tienda a moverse mientras el disco esté en contacto con ella.
- Las piezas en ángulo deben de trabajarse invertidas.
- Los cortes serán más eficientes si el disco corta la sección de menor espesor.
- Inserte debajo de la pieza de trabajo un bloque metálico ligeramente más pequeño que ésta, cuando el diámetro del disco se haya reducido por desgaste.

¡ATENCIÓN!

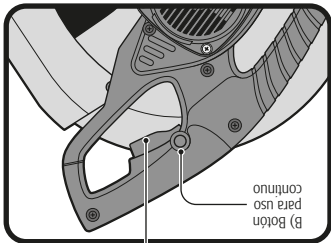
• Nunca realice cortes a manos libres sin la pieza de trabajo debidamente amordazada por el tornillo de sujeción.



Bloque metálico

7

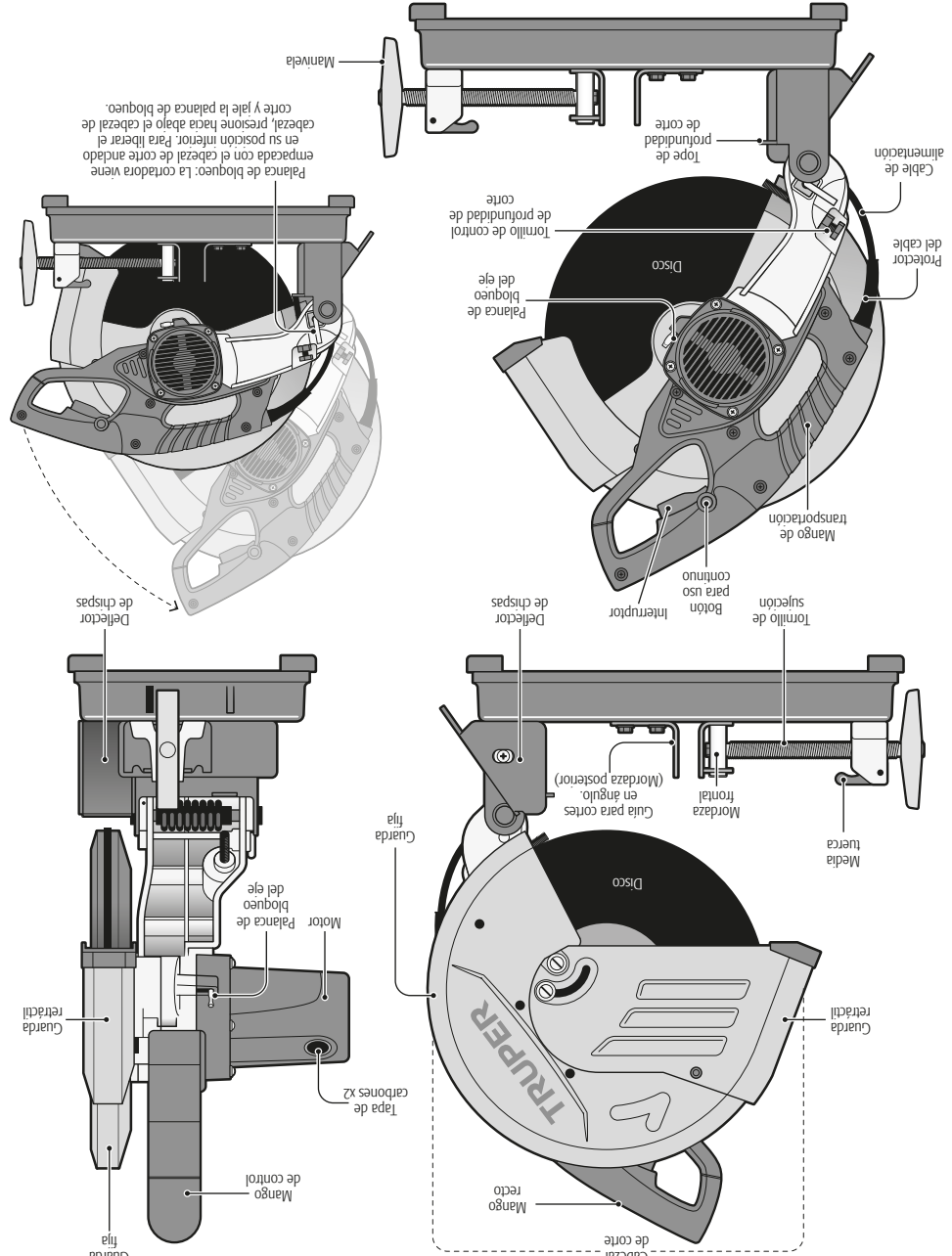
ESPAÑOL



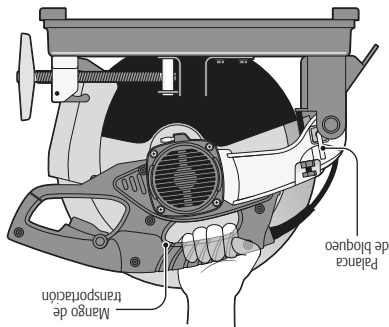
B) Botón para uso continuo

A) Interruptor

TRUPER
INDUSTRIAL



Partes



- **ADVERTENCIA** • Aleje las manos y cualquier otra parte del cuerpo del área de corte y del disco de corte. Al operar la herramienta sostenida el cabezal de corte con firmeza por el mango para evitar lesiones accidentales y prevenir la pérdida de control.
- **PELIGRO** • El contacto accidental con un disco de corte que esté girando puede ocasionar lesiones personales de gravedad.
- **ATENCIÓN** • Nunca realice cortes a manos libres ni con la pieza de trabajo suelta, debe ser amordazada por el tornillo de sujeción.
- Alimiente el material en dirección contraria a la rotación del disco.
- Mantenga el cuerpo a un lado del eje de corte, fuera de la trayectoria de las chispas o residuos arrojados por la herramienta.
- **ATENCIÓN** • No intente retirar material de desecho cuando el disco de corte esté girando.

Mientras opera la cortadora de metales

- **ATENCIÓN** • Sujete la pieza de trabajo de manera adecuada para evitar el contacto del cuerpo con el disco de corte, evitar que éste se doble o perder el control de la herramienta o la pieza de trabajo.
- **ATENCIÓN** • Antes de cada uso revise que la guarda retráctil funcione correctamente, si la guarda no se mueve libremente o no se cierra de manera instantánea dele servicio antes de operar la herramienta.
- Asegúrese de que el disco esté debidamente instalado, cerciórese de que no tenga golpes o daños. Si así fuera reemplácelo de inmediato.
- Antes de utilizar un disco nuevo, o luego de haber estado guardado por mucho tiempo, encienda la cortadora un minuto antes. Si el disco tuviera un defecto no detectado, revertirá en menos de un minuto. No permita que ninguna persona se encuentre en la línea de corte del disco.
- Mantenga fija la sierra en una superficie perfectamente nivelada, en donde haya suficiente espacio para manejar y apoyar apropiadamente la pieza de trabajo.
- Asegúrese de apretar todos los tornillos y mordazas antes de encender la cortadora.

Antes de operar la cortadora de metales

- Utilice guantes para manipular los discos.
- **ADVERTENCIA** • Nunca utilice discos de tamaño superior al indicado para la herramienta.
- **ADVERTENCIA** • No utilice discos gastados o dañados.
- **ADVERTENCIA** • No utilice discos de tamaño superior al indicado para la herramienta.
- No use la cortadora para cortar madera, mampostería, concreto o magisterio.
- Dentro del rango de 4 200 r/min o mayor con cuerdas específicas para la herramienta.
- Utilice únicamente discos abrasivos de 14" (35 cm)

Generales

Advertencias de seguridad para uso de cortadoras de metales

- **ADVERTENCIA** • Recuerde que las guardas no lo protegen del disco en movimiento por debajo de la pieza de trabajo, por lo que jamás deberá meter la mano por debajo de ella con la herramienta en marcha.
- **ADVERTENCIA** • Mantenga SIEMPRE el cable de alimentación alejado del área de corte. El cable de alimentación JAMÁS debe colgar sobre la pieza de trabajo cuando haga el corte.
- **ATENCIÓN** • Nunca quite con la mano los residuos acumulados en el disco, utilice un cepillo.
- **ATENCIÓN** • No intente liberar un disco atascado sin antes apagar y desconectar la herramienta.
- **ATENCIÓN** • No intente detener el disco con una pieza de madera o con el seguro del eje. Permita que éste se detenga libremente después de apagar la sierra.
- **ATENCIÓN** • Sujétela por las partes aisladas. Si llegara a cortar accidentalmente algún cable de electricidad las partes metálicas conducirían una descarga al operador. De darse el caso apague y desconecte inmediatamente la sierra.
- Para piezas que sobresalgan de la mesa de trabajo apoyelas del lado izquierdo y si se requiere utilice soportes auxiliares.
- **Después de operar la cortadora de metales**
- Asegúrese que el disco se detenga por completo antes de cambiarlo, asegure una pieza de trabajo, cambiar el ángulo de corte o apagar la herramienta.
- Revise periódicamente que todas las tuercas y tornillos estén debidamente apretados.
- Para transportar la herramienta baje el cabezal y asegúrelo con la palanca de bloqueo. Levante la cortadora por el mango de transporte, nunca del cable o del mango de control.

Advertencias generales de seguridad para herramientas eléctricas

ADVERTENCIA! Lea detenidamente todas las advertencias de seguridad y todas las instrucciones que se enlistan a continuación. La omisión de alguna de ellas puede dar como resultado un choque eléctrico, incendio y/o daño serio.

Área de trabajo
Mantenga el área de trabajo limpia y bien iluminada.
Las áreas desordenadas y oscuras son propensas a accidentes.

No maneje la herramienta en ambientes explosivos, como en presencia de líquido, gas o polvo inflamables.
Las herramientas eléctricas producen chispas que pueden encender material inflamable.

Mantenga alejados a los niños y curiosos cuando opere la herramienta.
Las distracciones pueden hacer que pierda el control.

Seguridad eléctrica
La clavija de la herramienta debe coincidir con el tomacorriente adaptado para clavijas de herramientas puestas a tierra.
Clavijas modificadas y enchufes diferentes aumentan el riesgo de choque eléctrico.

Evite el contacto del cuerpo con superficies puestas a tierra como tuberías, radiadores, cocinas eléctricas y refrigeradores.
Hay un mayor riesgo de choque eléctrico si el cuerpo está puesto a tierra.

No exponga la herramienta a la lluvia o condiciones de humedad.
El agua que ingresa en la herramienta aumenta el riesgo de choque eléctrico.

No fuerce el cable. Nunca use el cable para transportar, levantar o desconectar la herramienta. Mantenga el cable lejos del calor, aceite, orillas afiladas o piezas en movimiento.
Los cables dañados o enredados aumentan el riesgo de choque eléctrico.

Cuando maneje una herramienta en exteriores, use una extensión especial para usar en exteriores.
El uso de una extensión adecuada para exteriores reduce el riesgo de choque eléctrico.

Si el uso de la herramienta en un lugar húmedo es inevitable, use una alimentación protegida por un interruptor de circuito de falla a tierra (GFCI).
El uso de un GFCI reduce el riesgo de choque eléctrico.

Seguridad personal
Esté alerta, vigile lo que está haciendo y use el sentido común cuando maneje una herramienta. No la use si está cansado o bajo la influencia de drogas, alcohol o medicamentos.
Causar un daño personal.
El uso de equipo de seguridad como cintas de seguridad, mascarilla antipolvo, zapatos antideslizantes, casco y protección para los ojos en condiciones apropiadas, reduce de manera significativa los daños personales.

Evite arranques accidentales. Asegúrese de que el interruptor de alimentación y/o a la batería o transportar la herramienta. **Retire cualquier llave o herramienta de ajuste antes de arrancar la herramienta eléctrica.**
Conectar herramientas eléctricas con el dedo sobre el interruptor o "enclavamiento" puede causar accidentes.

Retire cualquier llave o herramienta de ajuste antes de arrancar la herramienta eléctrica.
Retire cualquier llave o herramienta de ajuste antes de arrancar la herramienta eléctrica.

La máquina no debe ser utilizada por niños ni por personas con capacidades físicas, sensoriales o mentales reducidas, tampoco por personas sin experiencia o conocimientos en su uso, a menos que estén supervisadas por una persona responsable de su seguridad o reciban instrucciones previas sobre el uso de la máquina.
Los niños deben de estar bajo supervisión para asegurarse de que no jueguen con la máquina. Cualquier tipo de aparato electrónico o estén cerca de él.

Servicio
Repare la herramienta en un Centro de Servicio Autorizado TRUPER usando solo piezas de repuesto idénticas.
Para mantener la seguridad de la herramienta.

Mantenga los accesorios de corte afilados y limpios.
Los accesorios de corte en buenas condiciones son menos probables de trabarse y más fáciles de controlar.
Use la herramienta, sus componentes y accesorios de acuerdo con estas instrucciones y de la manera prevista para el tipo de herramienta, en condiciones de trabajo adecuadas.
El uso de la herramienta para aplicaciones diferentes a las que está diseñada podría causar una situación de peligro.

Almacene las herramientas fuera del alcance de los niños y no permita su manejo por personas no familiarizadas con las herramientas o con las instrucciones.
Las herramientas eléctricas son peligrosas en manos no entrenadas.
Dé mantenimiento a la herramienta. Compruebe que las partes móviles no estén desalineadas o trabadas, que no haya piezas rotas u otras condiciones que puedan afectar su operación. Repare cualquier daño antes de usar la herramienta.
Muchos accidentes son causados por el escaso mantenimiento de las herramientas.

Mantenga los accesorios de corte afilados y limpios.
Los accesorios de corte en buenas condiciones son menos probables de trabarse y más fáciles de controlar.
Use la herramienta, sus componentes y accesorios de acuerdo con estas instrucciones y de la manera prevista para el tipo de herramienta, en condiciones de trabajo adecuadas.
El uso de la herramienta para aplicaciones diferentes a las que está diseñada podría causar una situación de peligro.

CM-14N2

| | | |
|---|-------------------|---|
| • | Código | 17733 |
| • | Descripción | Tronadora / Cortadora de metales |
| • | Diámetro de disco | 14" (35 cm) |
| • | Tensión | 127 V- |
| • | Frecuencia | 60 Hz |
| • | Corriente | 173 A |
| • | Motor | 2 200 W (3 Hp) |
| • | Velocidad | 4 200 r/min |
| • | Ciclo de trabajo | 50 minutos de trabajo por 20 min de descanso. Máximo 6 horas diarias. |
| • | Conductores | 14 AWG x 2C con temperatura de aislamiento de 75 °C |
| • | Aislamiento | Clase II |
| • | Grado IP | IP20 |

El cable de alimentación tiene sujeta-cables tipo: Y
 La clase de construcción de la herramienta es: Aislamiento reforzado.
 La clase de aislamiento térmico de los devanados del motor: Clase E

ADVERTENCIA

Si el cable de alimentación se daña, éste debe ser reemplazado por el fabricante o Centro de Servicio **TRUPER**, con el fin de evitar algún riesgo de descarga o accidente considerable. La construcción del aislamiento eléctrico de esta herramienta es alterado por saipicaduras o derramamiento de líquidos durante su operación. No la exponga a la lluvia, líquidos y/o humedad. **ADVERTENCIA** Antes de obtener acceso a las terminales, todos los circuitos de alimentación deben ser desconectados.



Requerimientos eléctricos

ADVERTENCIA

Las herramientas de doble aislamiento y aislamiento reforzado están equipadas con una clavija polarizada (una pata es más ancha que la otra). Esta clavija cabe en cualquier enchufe polarizado y sólo puede conectarse de una forma. Si la clavija no cabe en el enchufe, ¡vítelelo. Si aún así no cabe, póngase en contacto con un electricista calificado o instale un enchufe polarizado. No altere el cable de corriente de tres partes con conexión a tierra o de un sistema de corriente eléctrica con conexión a tierra.

ADVERTENCIA Al usar un cable de extensión, asegúrese de usar el calibre suficiente para transportar la corriente que consumirá su herramienta. Un cable de un calibre inferior ocasionará caídas de tensión en la línea, teniendo como resultado pérdida de potencia y sobrecalentamiento del motor. La siguiente tabla muestra el tamaño correcto que debe usarse dependiendo de la longitud del cable y de la capacidad de amperes indicada en la placa de datos de la herramienta. Si tiene dudas use el siguiente calibre más alto.

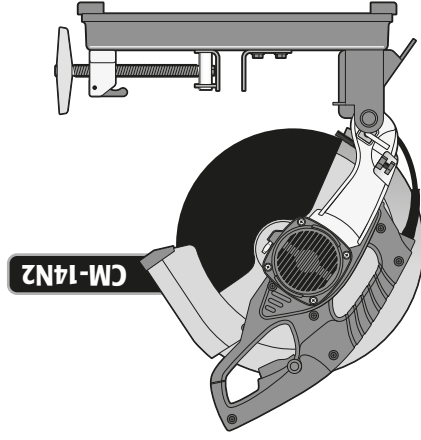
| Capacidad en Amperes | Número de conductores | Calibre de extensión |
|----------------------|-----------------------|----------------------|
| de 0 A hasta 10 A | 3 (uno a tierra) | 18 AWG(*) |
| de 10 A hasta 13 A | | 16 AWG |
| de 13 A hasta 15 A | | 14 AWG |
| de 15 A hasta 20 A | | 12 AWG |
| | | 8 AWG |
| | | 6 AWG |

de 1.8 m a 15 m | mayor de 15 m

* Se permite utilizarlo siempre y cuando las extensiones mismas cuenten con un artefacto de protección contra sobrecorriente. AWG = Calibre de alambre estadounidense (American Wire Gauge). Referencia: NMX-I-195-AWCE.

ADVERTENCIA Al operar herramientas eléctricas en exteriores, utilice una extensión aterrizada marcada como "Uso exterior" marca **VOLTECK**. Estas extensiones son especiales para el uso en exteriores y reducen el riesgo de sufrir una descarga eléctrica.





- 3 Especificaciones técnicas
- 3 Requerimientos eléctricos
- 4 Advertencias generales de seguridad
Para herramientas eléctricas
- 5 Advertencias de seguridad
Para uso de cortadoras de metales
- 6 Partes
- 7 Puesta en marcha
- 9 Capacidades de corte
- 9 Operación
- 10 Mantenimiento
- 11 Centros de servicio autorizados
- 12 Póliza de garantía

Guarde este Instructivo para futuras referencias. Los gráficos de este Instructivo son para referencia, pueden variar del aspecto real de la herramienta.

Para poder sacar el máximo provecho de la herramienta, alargue su vida útil, hacer válida la garantía en caso de ser necesario y evitar riesgos o lesiones graves, es fundamental leer este Instructivo por completo antes de usar la herramienta.

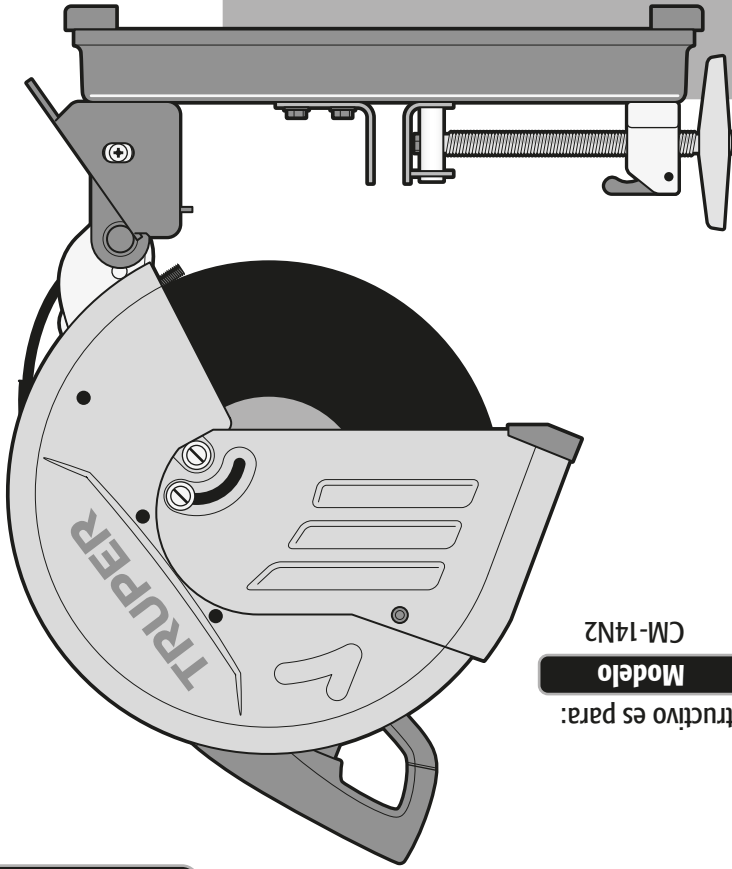
ATENCIÓN

Instructivo para

Tronzadora / Cortadora de metales

3 Hp
2 200 W

Este instructivo es para:
Código 17733
Modelo CM-14N2



CM-14N2



ATENCIÓN

Lea este instructivo por completo antes de usar la herramienta.

