

ENGLISH
ESPAÑOL

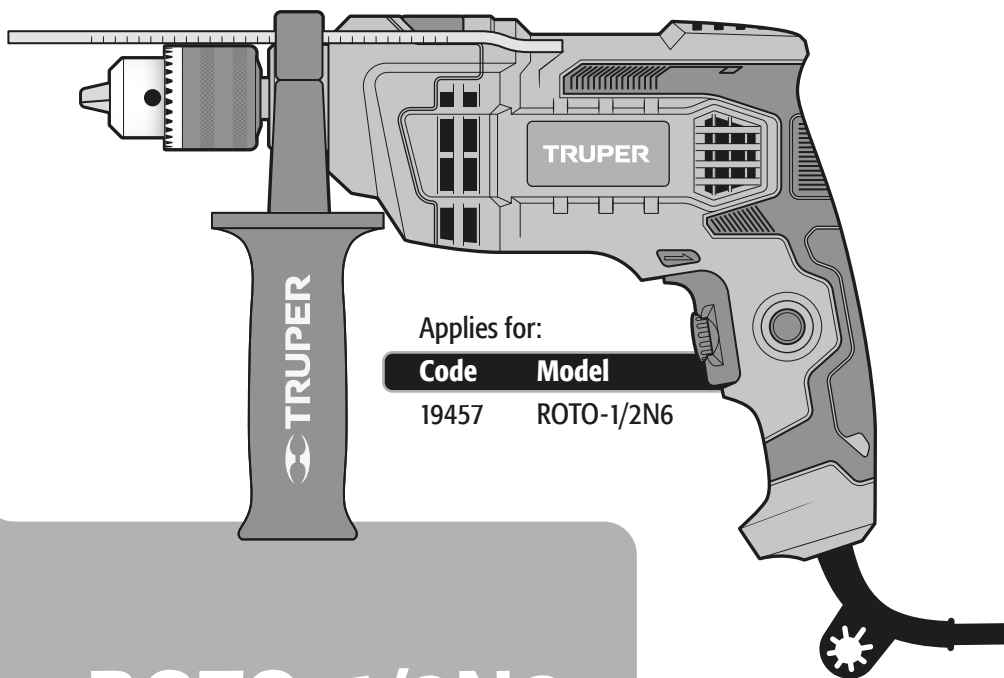
TRUPER[®] INDUSTRIAL

Manual

Hammer Drill

0.93 Hp
Power

1/2"
Chuck



Applies for:

Code	Model
19457	ROTO-1/2N6



ROTO-1/2N6

! CAUTION



Read the user's manual thoroughly
before operating this tool.



Technical Data	3
Power Requirements	3
 General Power Tool Safety Warnings	4
 Safety Warnings for Drills and Hammer Drills	5
Parts	6
Preparation	6
Start Up	7
Maintenance	8
Notes	9
Authorized Service Centers	11
Warranty Policy	12

 **CAUTION**

To gain the best performance of the tool, prolong the duty life, make the Warranty valid if necessary, and to avoid hazards of fatal injuries please read and understand this Manual before using the tool.


Keep this manual for future references.

The illustrations in this manual are for reference only. They might be different from the real tool.

Use and care recommendations

 **TO EXTEND THE LIFE OF YOUR TOOL.**
Clean with compressed air after each use.

 Never use or pull the power cord to carry, lift, or disconnect the tool.

 Do not turn the speed selector while the tool is running



 **FULLFILL THE WORKING CYCLES.**
50 min of work and 20 min of rest. Daily maximum 6 hours.



 Perform periodic **MAINTENANCE** to your machine (page 8).

ROTO-1/2N6

Code	•	19457
Description	•	Hammer Drill
Chuck	•	1/2"
Voltage	•	127 V~
Frequency	•	60 Hz
Current	•	5 A
Functions	•	Drill Hammer drill
Power	•	0.93 Hp
Strokes per minute	•	0 49, 600 strokes/min
Speed	•	0 - 3 100 RPM
Work Capacity	•	Steel: 3/8" Wood: 1" Concrete: 1/2"
Duty Cycle	•	50 minutes' work per 20 minutes idle. Maximum 6 hours per day
Conductors	•	18 AWG x 2C with insulating temperature of 221 °F
Insulation	•	Class II
	•	IP Grade
	•	IP20

Power Cord Grips used in this product: Type "Y".
Tool Build Quality: Reinforced Insulation
Thermal insulation on motor winding: Class B

⚠ WARNING Avoid the risk of electric shock or severe injury. When the power cable gets damaged it should only be replaced by the manufacturer or at a **TRUPER** Authorized Service Center. The build quality of the electric insulation is altered if spills or liquid gets into the tool while in use. Do not expose to rain, liquids and/or dampness.

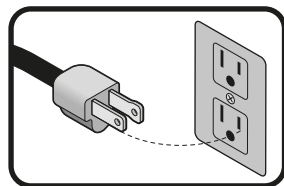
⚠ WARNING Before gaining access to the terminals all power sources should be disconnected.



Power Requirements

⚠ WARNING Tools with double insulation and reinforced insulation are equipped with a polarized plug (one prong is wider than the other). This plug will only fit in the right way into a polarized outlet. If the plug cannot be introduced into the outlet, reverse the plug. If it still doesn't fit, call a qualified electrician to install for you a polarized outlet. Do not alter the plug in any way. Both insulation types eliminates the need of both a grounded third power cord with three prongs or a grounded power connection.

⚠ WARNING When using an extension cable, verify the gauge is enough for the power that your product needs. A lower gauge cable will cause voltage drop in the line, resulting in power loss and overheating. The following table shows the right size to use depending on cable's length and the ampere capability shown in the tool's nameplate. When in doubt use the next higher gauge.



Ampere Capacity

Number of Conductors

Extension Gauge

From 6 ft to 49 ft | Higher than 49 ft

From 0 A and up to 10 A

From 10 A and up to 13 A

From 13 A and up to 15 A

From 15 A and up to 20 A

3 (one grounded)

18 AWG

16 AWG

14 AWG

8 AWG

16 AWG

14 AWG

12 AWG

6 AWG

* It is safe to use only if the extensions have a built-in artifact for over current protection.

AWG = American Wire Gauge - Reference NMX-J-195-ANCE

⚠ WARNING When operating power tools outdoors, use a **VOLTECK** grounded extension cable labeled "For Outdoors Use". These extensions are especially designed for operating outdoors and reduce the risk of electric shock.





General power tool safety warnings



⚠ WARNING! Read carefully all safety warnings and instruction listed below. Failure to comply with any of these warnings may result in electric shock, fire and / or severe damage. **Save all warnings and instructions for future references.**

Work area

Keep your work area clean, and well lit.

Cluttered and dark areas may cause accidents.



Never use the tool in explosive atmospheres, such as in the presence of flammable liquids, gases or dust.

Sparks generated by power tools may ignite the flammable material.



Keep children and bystanders at a safe distance while operating the tool.

Distractions may cause losing control.



Electrical Safety

The tool plug must match the power outlet. Never modify the plug in any way. Do not use any adapter plugs with grounded power tools.

Modified plugs and different power outlets increase the risk of electric shock.



Avoid body contact with grounded surfaces, such as pipes, radiators, electric ranges and refrigerators.

The risk of electric shock increases if your body is grounded.

Do not expose the tool to rain or wet conditions.

Water entering into the tool increases the risk of electric shock.

Do not force the cord. Never use the cord to carry, lift or unplug the tool. Keep the cord away from heat, oil, sharp edges or moving parts.

Damaged or entangled cords increase the risk of electric shock.

When operating a tool outdoors, use an extension cord suitable for outdoor use.

Using an adequate outdoor extension cord reduces the risk of electric shock.

If operating the tool in a damp location cannot be avoided, use a ground fault circuit interrupter (GFCI) protected supply.

Using a GFCI reduces the risk of electric shock.

Personal safety

Stay alert, watch what you are doing and use common sense when operating a tool. Do not use a power tool while you are tired or under the influence of drugs, alcohol or medication.

A moment of distraction while operating the tool may result in personal injury.

Use personal protective equipment. Always wear eye protection.

Protective equipment such as safety glasses, anti-dust mask, non-skid shoes, hard hats and hearing protection used in the right conditions significantly reduce personal injury.



Prevent unintentional starting up. Ensure the switch is in the "OFF" position before connecting into the power source and / or battery as well as when carrying the tool.

Transporting power tools with the finger on the switch or connecting power tools with the switch in the "ON" position may cause accidents.

Remove any wrench or vice before turning the power tool on.

Wrenches or vices left attached to rotating parts of the tool may result in personal injury.

Do not overreach. Keep proper footing and balance at all times.

This enables a better control on the tool during unexpected situations.

Dress properly. Do not wear loose clothing or jewelry. Keep hair, clothes and gloves away from the moving parts.

Loose clothes or long hair may get caught in moving parts.



If you have dust extraction and recollection devices connected onto the tool, inspect their connections and use them correctly.
Using these devices reduce dust-related risks.

Power Tools Use and Care

Do not force the tool. Use the adequate tool for your application.



The correct tool delivers a better and safer job at the rate for which it was designed.

Do not use the tool if the switch is not working properly.

Any power tool that cannot be turned ON or OFF is dangerous and should be repaired before operating.

Disconnect the tool from the power source and / or battery before making any adjustments, changing accessories or storing.

These measures reduce the risk of accidentally starting the tool.

Store tools out of the reach of children. Do not allow persons that are not familiar with the tool or its instructions to operate the tool.

Power tools are dangerous in the hands of untrained users.



Service the tool. Check the mobile parts are not misaligned or stuck. There should not be broken parts or other conditions that may affect its operation. Repair any damage before using the tool.

Most accidents are caused due to poor maintenance to the tools.



Keep the cutting accessories sharp and clean.

Cutting accessories in good working conditions are less likely to bind and are easier to control.

Use the tool, components and accessories in accordance with these instructions and the projected way to use it for the type of tool when in adequate working conditions.

Using the tool for applications different from those it was designed for, could result in a hazardous situation.

Service

Repair the tool in a TRUPER Authorized Service Center using only identical spare parts.

This will ensure that the safety of the power tool is maintained.



This tool is in compliance with the Official Mexican Standard (NOM - Norma Oficial Mexicana).

Safety Warnings for Drills and Hammer Drills

TRUPER[®]
INDUSTRIAL

Select the Right Bit

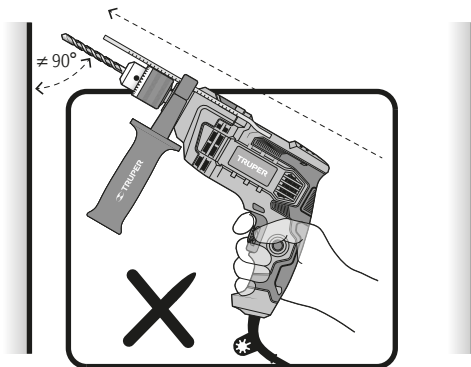
- CAUTION** • Select the right bit for the material. This reduces the risk of severe injuries and makes the work faster.
- When drilling concrete or stone, use bits specifically dedicated for concrete.
- For metal or plastic use metalworking bits. The measurements cover a minimum of 1.5 mm up to the maximum capacity of the chuck. (13mm).
- To work on wood, select regular bits dedicated for wood work. In any event, to drill orifices 0.25" or smaller, use bit to work on metal.
- Do not try to use bits exceeding the chuck capacity.

Before Operating the Hammer Drill

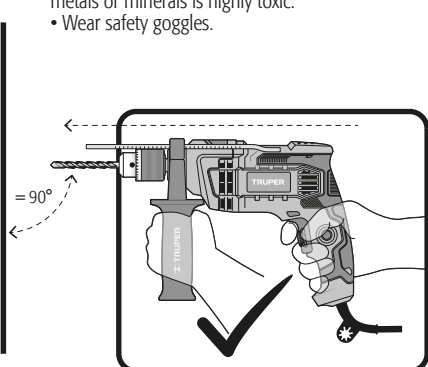
- Take your time assessing the job to carry out. Make sure you watch all the necessary caution measures before you start drilling.
- WARNING** • Adjust correctly the bit into the chuck. Remove the chuck key before starting to drill. If the key is not removed, it can shoot out with great speed and cause severe injuries.
- DANGER** • Before drilling into a wall, floor or ceiling, make sure there are no hidden objects like cables, wiring or pipes.
- DANGER** • Double check the switch is OFF (see page 7, Start Up and Operation Control) before connecting the tool. Otherwise, it will start unexpectedly and could cause severe injuries.
- CAUTION** • Turn OFF and disconnect the tool before reversing the chuck rotation direction and / or replacing the bit.

While Operating the Hammer Drill

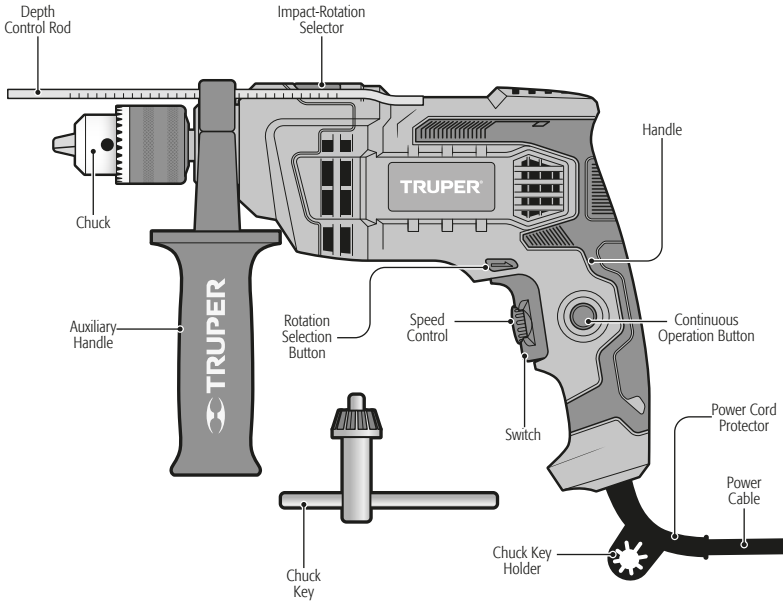
- Hold the tool using both the main handle and the auxiliary handle if supplied with the tool. Keep in mind that losing control can cause severe personal injuries.
- Hold the tool by the insulated surfaces, emphasizing when carrying out jobs where the cutting bit may contact hidden wires or its own power cable. Contact with a power conducting cable, electrify the metal parts of the tool and cause an electric shock to the operator.
- Do not force the tool to excessive force.
- CAUTION** • If the bit gets stuck in the work piece, shut off the hammer drill immediately! Then, remove the bit out from the work piece. Do not try to remove a stuck bit by turning it On and Off the tool to accelerate the drilling job.
- Do not exercise too much pressure on the tool in order to accelerate the drilling. Otherwise, the bit gets damaged and the efficiency will decrease as well as the useful life of the tool.
- WARNING** • The bigger the diameter of the bit, the higher the reactive force. It may cause losing control of the tool. To prevent this possibility, hold the tool firmly with both hands and stand well balanced while drilling at 90°.
- stay alert and prepared to relax the force when the bit drills through metal. Sudden movements may break the bit or damage the tool body.
- CAUTION** • Do not touch the bit or the orifice right after drilling. Allow cooling down time to manipulate. Do not try to cool down using water or oil.
- Avoid setting the tool in a place where there may be particles and / or dust immediately after using it. These particles may be absorbed inside the tool mechanism and damage it.
- Wear hearing protection when using the hammer drill. Exposure to noise may cause hearing loss.
- Wear anti-dust mask and a dust extracting equipment. Remember that working materials such as asbestos, paint with lead, additives, some kinds of wood, metals or minerals is highly toxic.
- Wear safety goggles.



Wrong Way to Operate the Hammer Drill



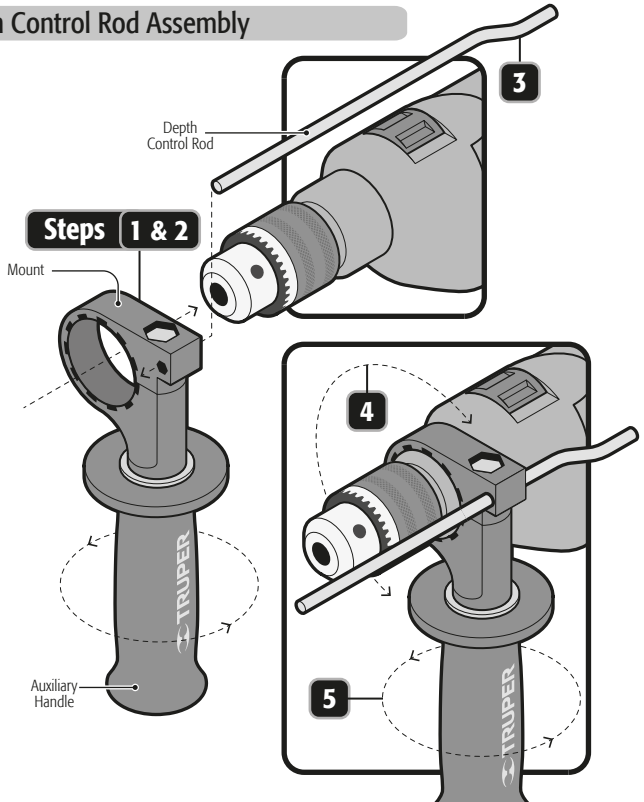
Right Way to Operate the Hammer Drill



Preparation

Auxiliary Handle and Depth Control Rod Assembly

1. Turn the auxiliary handle in a clockwise direction while released so that the opening in the mount gets through freely over the chuck.
2. Insert the hammer drill head through the auxiliary mount.
3. Insert the depth control rod into the mount orifice.
4. Rotate the auxiliary handle together with its mount until it is set in the right position to operate the tool. The auxiliary mount is secure when the handle notches assemble in the gearbox.
5. Turn the auxiliary handle to firmly set the mount onto the hammer drill head.



Preparation

TRUPER[®]
INDUSTRIAL

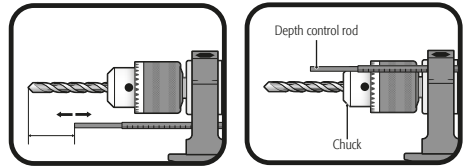
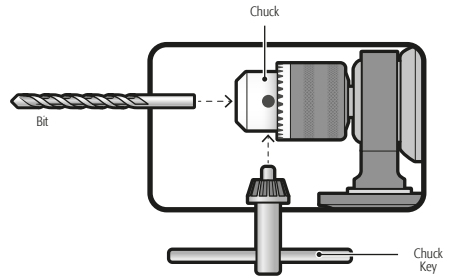
Bit Fitting

- Put the bit into the chuck until it stops. Fasten with the chuck key and tighten the chuck alternatively into each of the orifices.

⚠ WARNING Clean burr and any other foreign object from the bit and the chuck. Otherwise, the bit cannot be tight and could cause personal injuries.

Depth control rod adjustment

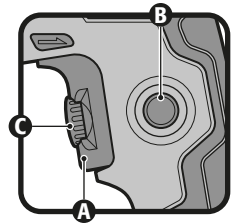
- Loosen the auxiliary handle (See Page 6; auxiliary handle assembly), to allow free movement of the rod.
- Move the depth rod so that the distance between the end of the rod and the end of the drill bit equals the desired drilling depth.
- Tighten the auxiliary handle (See Page 6; auxiliary handle assembly), to lock the rod in position.
- When drilling with the depth rod, stop when the end of the rod reaches the surface.



Start Up

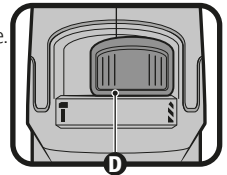
Start Up and Operation Control

- Intermittent operation:
 - Connect the plug into the power inlet.
 - Press the switch (A) to start the hammer drill.
 - To stop, just release the switch.
- Continuous Operation:
 - Connect the plug into the power inlet.
 - Press the switch (A) and block it pressing the continuous use button (B).
 - To stop, press and then, release the switch.



Speed Control

- The tool can operate in different speeds. These can be selected adjusting the speed control (C) built in the switch.
- Turn the speed control in a clockwise direction to increase the Hammer Drill speed and torque.
- Turn in a counterclockwise direction to decrease speed and torque.



Changing From Hammer Drill To Drill

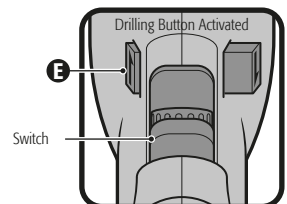
- To drill concrete, floor tile or materials of similar hardness, move the impact-rotation selector (D) all the way towards the **IMPACT** mark. The bit will hit the material while rotating at the same time.
- To drill metal, wood or plastic, move the impact-rotation selector completely towards the **DRILL** to make the bit rotate onto the material.

⚠ WARNING Do not try to drill metal, wood or plastic with the hammer drill into IMPACT mode setting (selector towards **IMPACT**). Otherwise the tool efficiency will lessen and the bit tip gets damaged.

Rotation Direction

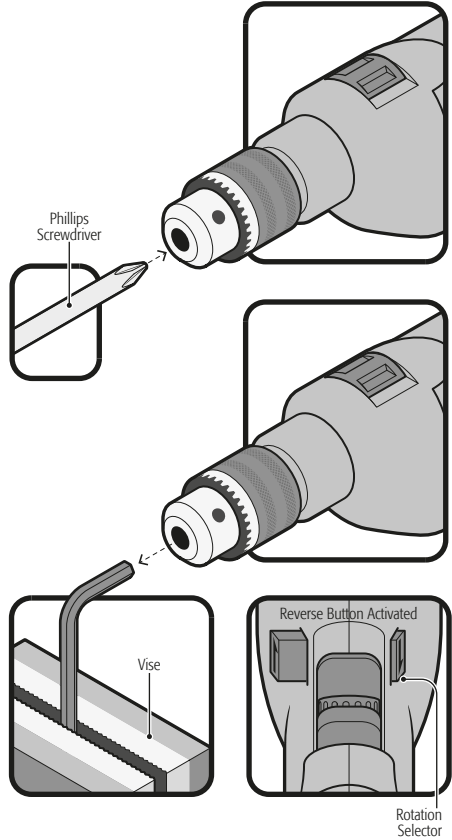
- To have the bit rotating forward and drill, press the rotation selector (E), the button with the arrow pointing the chuck.
- Turn in reverse and habilitate the screwdriver press the button with the arrow pointing the Hammer Drill handle.

⚠ WARNING Never use the tool in reverse when having the impact - rotation selector into the IMPACT position (selector towards **IMPACT**). Otherwise, the impact system will be severely damaged.



Chuck Replacement

- Remove the auxiliary handle and open the chuck jaws all the way.
- Using a screwdriver remove the left-threaded safety screw with a clockwise movement.
- Fit the long side of an "L" Allen key (not included) in a vise and insert the short side of the "L" Allen key (not included) to the chuck. Close the jaws.
- Move the rotation selector lever into the reverse position (see page 7, Rotation Direction) and fastening with a firm hand activate the hammer drill. The chuck will be released with the turn.
- Set the new chuck threading into the hammer drill thread until it stops.
- Open the jaws fully and thread the screw in a counter-clockwise position. Tighten with a screwdriver.



Cleaning And Care

- To guarantee adequate motor cooling, always keep slots clean and free of obstructions.
- Regularly inspect all the assembly screws. Double-check they are properly tighten. If any screws are loose, tighten immediately.

Service

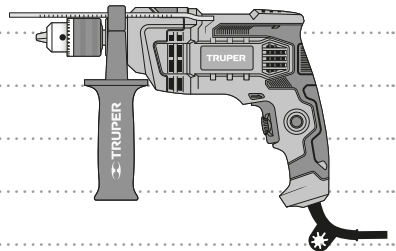
- Servicing tools should only be made in a **TRUPER** Authorized Service Center. Service and maintenance performed by non-qualified people may be dangerous and can lead to personal injuries. It also makes the product Warranty void.

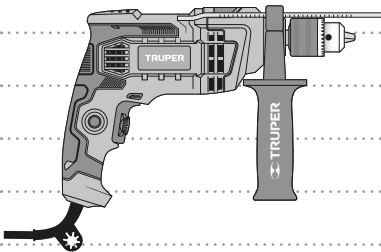
Lubrication

- We recommend lubricating the tool transmission every carbon brush replacement in a **TRUPER** Authorized Service Center.

Carbon Brush Replacement

- Carbon brushes shall be checked periodically. When showing signs of wear go to a **TRUPER** Authorized Service Center to have both carbon brushes replaced.
- When replaced, ask the technician to inspect if the new carbon brushes move freely in the carbon brush housing. Ask to turn on the tool during 5 minutes to even the contact in the carbon brushes and the commuter.
- Use only original **TRUPER** spare carbon brushes, designed specifically with the right strength and electric resistance for each type of motor. Carbon brushes with different specifications may damage the motor.
- When replacing carbon brushes, always change both.





Authorized Service Centers

TRUPER[®]
INDUSTRIAL

In the event of any problem contacting a Truper Authorized Service Center, please see our webpage www.truper.com to get an updated list, or call our toll-free numbers **800 690-6990** or **800 018-7873** to get information about the nearest Service Center.

- AGUASCALIENTES** **DE TODO PARA LA CONSTRUCCIÓN**
GRAL. BARRAGÁN #1201, COL. GREMIAL, C.P. 20050,
AGUASCALIENTES, AGS. TEL.: 449 994 0537
- BAJA CALIFORNIA** **SUCURSAL TIJUANA**
AV. LA ENCANTADA, LOTE #5, PARQUE INDUSTRIAL EL
FLORIDO II, C.P. 22244, TIJUANA, B.C.
TEL.: 664 969 5100
- BAJA CALIFORNIA SUR** **FIX FERRETERÍAS**
FELIPE ÁNGELES ESQ. RUIZ CORTÍNEZ S/N, COL. PUEBLO
NUEVO, C.P. 23670, CD. CONSTITUCIÓN, B.C.S.
TEL.: 615 132 1115
- CAMPECHE** **TORNILLERÍA Y FERRETERÍA AAA**
AV. ÁLVARO OBREGÓN #324, COL. ESPERANZA
C.P. 24080 CAMPECHE, CAMP. TEL.: 981 815 2808
- CHIAPAS** **FIX FERRETERÍAS**
AV. CENTRAL SUR #27, COL. CENTRO, C.P. 30700,
TAPACHULA, CHIS. TEL.: 962 118 4083
- CHIHUAHUA** **SUCURSAL CHIHUAHUA**
AV. SILVESTRE TERRAZAS #128-11, PARQUE INDUSTRIAL
BAFAR, CARRETERA MÉXICO CUAUHTÉMOC, C.P. 31415,
CHIHUAHUA, CHIH. TEL.: 614 434 0052
- CIUDAD DE MÉXICO** **FIX FERRETERÍAS**
EL MONSTRUO DE CORREGIDORA, CORREGIDORA # 35,
COL. CENTRO, C.P. 06060, CUAUHTÉMOC, CDMX.
TEL.: 55 5522 5051 / 5522 4861
- COAHUILA** **SUCURSAL TORREÓN**
CALLE METAL MECÁNICA #280, PARQUE INDUSTRIAL
ORIENTE, C.P. 27278, TORREÓN, COAH.
TEL.: 871 209 68 23
- COLIMA** **BOMBAS Y MOTORES BYMTESA DE MANZANILLO**
BLVD. MIGUEL DE LA MADRID #190, COL. 16 DE
SEPTIEMBRE, C.P. 28239, MANZANILLO, COL.
TEL.: 314 332 1986 / 332 8013
- DURANGO** **TORNILLOS ÁGUILA, S.A. DE C.V.**
MAZURIÑO #200, COL. LUIS ECHEVERRÍA, DURANGO,
DGO. TEL.: 618 817 1946 / 618 818 2844
- ESTADO DE MÉXICO** **SUCURSAL CENTRO JILOTEPEC**
PARQUE INDUSTRIAL #1, COL. PARQUE INDUSTRIAL
JILOTEPEC, JILOTEPEC, EDO. DE MÉX. C.P. 54257,
TEL.: 761 782 9101 EXT. 5728 Y 5102
- GUANAJUATO** **CÍA. FERRETERA NUEVO MUNDO S.A. DE C.V.**
AV. MÉXICO - JAPÓN #225, CD. INDUSTRIAL, C.P. 38010,
CELAYA, GTO. TEL.: 461 617 7578 / 79 / 80 / 88
- GUERRERO** **CENTRO DE SERVICIO ECLIPSE**
CALLE PRINCIPAL MZ I LT. 1, COL. SANTA FE, C.P. 39010,
CHILPANCIÑO, GRO. TEL.: 747 478 5793
- HIDALGO** **FERREPRECIOS S.A. DE C.V.**
LIBERTAD ORIENTE #304 LOCAL 50, INTERIOR DE PASAJE
ROBLEDO, COL. CENTRO, C.P. 43600, TULANCINGO,
HGO. TEL.: 775 755 6615 / 775 755 6616
- JALISCO** **SUCURSAL GUADALAJARA**
AV. ADOLFO B. HORN # 6800, COL: SANTA CRUZ DEL
VALLE, C.P.: 45655, TLAJOMULCO DE ZUÑIGA, JAL.
TEL.: 33 3606 5285 AL 90
- MICHOACÁN** **FIX FERRETERÍAS**
AV. PASEO DE LA REPÚBLICA #3140-A, COL.
EX-HACIENDA DE LA HUERTA, C.P. 58050, MORELIA,
MICH. TEL.: 443 334 6858
- MORELOS** **FIX FERRETERÍAS**
CAPITÁN ANZURES #95, ESQ. JOSÉ PERDIZ, COL.
CENTRO, C.P. 62740, CUAUTLA, MOR.
TEL.: 735 352 8951
- NAYARIT** **HERRAMIENTAS DE TEPIC**
MAZATLAN #117, COL. CENTRO, C.P. 63000, TEPIC, NAY.
TEL.: 311 258 0540
- NUEVO LEÓN** **SUCURSAL MONTERREY**
CARRETERA LAREDO #300, 1B MONTERREY PARKS,
COLONIA PUERTA DE ANAHUAC, C.P. 66052, ESCOBEDO,
NUEVO LEÓN, TEL.: 81 8352 8791 / 81 8352 8790
- OAXACA** **FIX FERRETERÍAS**
AV. 20 DE NOVIEMBRE #910, COL. CENTRO, C.P. 68300,
TUXTEPEC, OAX. TEL.: 287 106 5092
- PUEBLA** **SUCURSAL PUEBLA**
AV. PERIFÉRICO #2-A, SAN LORENZO ALMECATLA,
C.P. 72710, CUAUHTLACINGO, PUE.
TEL.: 222 282 8282 / 84 / 85 / 86
- QUERÉTARO** **ARU HERRAMIENTAS S.A. DE C.V.**
AV. PUERTO DE VERACRUZ #110, COL. RANCHO DE
ENMEDIO, C.P. 76842, SAN JUAN DEL RÍO, QRO.
TEL.: 427 268 4544
- QUINTANA ROO** **FIX FERRETERÍAS**
CARRETERA FEDERAL MZ. 46 LT. 3 LOCAL 2, COL. EJIDAL,
C.P. 77710 PLAYA DEL CARMEN, Q.R.
TEL.: 984 267 3140
- SAN LUIS POTOSÍ** **FIX FERRETERÍAS**
AV. UNIVERSIDAD #1850, COL. EL PASEO, C.P. 78320,
SAN LUIS POTOSÍ, S.L.P. TEL.: 444 822 4341
- SINALOA** **SUCURSAL CULIACÁN**
AV. JESÚS KUMATE SUR #4301, COL. HACIENDA DE LA
MORA, C.P. 80143, CULIACÁN, SIN.
TEL.: 667 173 9139 / 173 8400
- SONORA** **FIX FERRETERÍAS**
CALLE 5 DE FEBRERO #517, SUR LT. 25 MZ. 10, COL.
CENTRO, C.P. 85000, CD. OBREGÓN, SON.
TEL.: 644 413 2392
- TABASCO** **SUCURSAL VILLAHERMOSA**
CALLE HELIO LOTES 1, 2 Y 3 MZ. #1, COL. INDUSTRIAL,
2A ETAPA, C.P. 86010, VILLAHERMOSA, TAB.
TEL.: 993 355 7244
- TAMAULIPAS** **VM ORINGS Y REFACCIONES**
CALLE ROSITA #527 ENTRE 20 DE NOVIEMBRE Y GRAL.
RODRÍGUEZ, FRACC. REYNOSA, C.P. 88780, REYNOSA,
TAMS. TEL.: 899 926 7552
- TLAXCALA** **SERVICIOS Y HERRAMIENTAS INDUSTRIALES**
PABLO SIDAR #132, COL. BARRIO DE SAN BARTOLOMÉ,
C.P. 90970, SAN PABLO DEL MONTE, TLAX.
TEL.: 222 271 7502
- VERACRUZ** **LA CASA DISTRIBUIDORA TRUPER**
BLVD. PRIMAVERA, ESQ. HORTENSIA S/N, COL.
PRIMAVERA, C.P. 93308, POZA RICA, VER.
TEL.: 782 825 8100 / 826 8484
- YUCATÁN** **SUCURSAL MÉRIDA**
CALLE 33 #600 Y 602, LOCALIDAD ITZINCAB Y MULSAY,
MPIO. UMAN, C.P. 97390, MÉRIDA, YUC.
TEL.: 999 912 2451

Code	Model	Brand
19457	ROTO-1/2N6	TRUPER® INDUSTRIAL

Warranty. Duration: 5 year. Coverage: parts, components and workmanship against manufacturing or operating defects, except if used under conditions other than normal; when it was not operated in accordance with the instructive; was altered or repaired by personnel not authorized by **Truper®**. To make the warranty valid, only present the product in the establishment where you bought it or in Corregidora 35, Centro, Cuauhtémoc, CDMX, 06060, where you can also purchase parts, components, consumables and accessories. The costs of transportation of the product that derive from its fulfillment of its service network are included. **Truper will not require any proof of purchase to make the warranty effective.** Phone number 800-018-7873. Made in China. Imported by Truper, S.A. de C.V. Parque Industrial 1, Parque Industrial Jilotepec, Jilotepec, Edo. de Méx. C.P. 54257, Phone number 761 782 9100.

Stamp of the business. Delivery date:





Sello del establecimiento comercial. Fecha de entrega:

Garantía. Duración: 5 años. Cobertura: piezas, componentes y mano de obra contra defectos de fabricación o funcionamiento, excepto si se usó en condiciones distintas a las normales; cuando no fue operado conforme a las instrucciones; fue alterado o reparado por personal no autorizado por **Truper**. Para hacer efectiva la garantía únicamente presente el producto en el establecimiento donde lo compró o en Corregidora 35, Centro, Cuauhitémoc, CDMX, 06060, donde también podrá adquirir partes, componentes, consumibles y accesorios. Incluye los gastos de transportación del producto que deriven de su cumplimiento de su red de servicio. **Truper** no solicitará ningún tipo de comprobante de pago para hacer efectiva la garantía. Tel. 800-018-7873. Made in/Hecho en China. Importador **Truper, S.A. de C.V.** Parque Industrial 1, Parque Industrial Jiltepec, Jiltepec, Edo. de Méx. C.P. 54257, Tel. 761 782 9100.

TRUPER INDUSTRIAL

Código 19457

Modelo ROTO-1/2N6

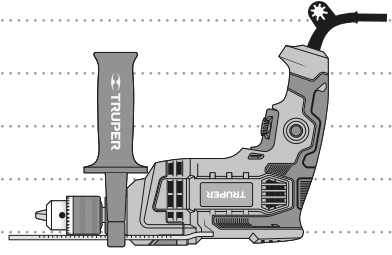
Marca

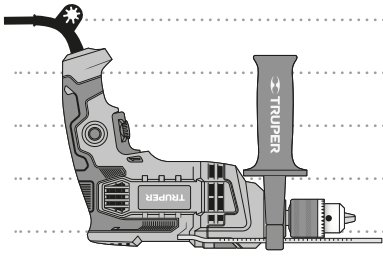
Póliza de Garantía

TRUPER INDUSTRIAL

En caso de tener algún problema para contactar un Centro de Servicio Autorizado Truper® consulte nuestra página www.truper.com donde obtendrá un listado actualizado, o llame al: 800 690-6990 ó 800 018-7873 donde le informará en cuál es el Centro de Servicio más cercano.

- AGUASCALIENTES**
DE TODO PARA LA CONSTRUCCIÓN
CAPÁN BARBACÁN #1201 COL. GEMINAL, C.P. 20050, AGUASCALIENTES, AGS. TEL.: 449 994 0557
- BAJA CALIFORNIA**
SUCURSAL TIJUANA
AV. LA ENCANTADA LOT1 #5, PARQUE INDUSTRIAL EL FLORIDO C.P. 22244, TIJUANA, B.C. TEL.: 664 969 5100
- BAJA CALIFORNIA SUR**
FIX FERRETERIAS
FELPE ANGELES ESQS. RUIZ CORTINEZ S/N, COL. PUEBLO NUEVO, C.P. 25670, CD. CONSTITUCIÓN, B.C.S. TEL.: 615 152 1115
- CAMPECHE**
TORNILLERÍA Y FERRERÍA AAA
AV. ALVARO OBREGÓN #524, COL. ESPERANZA C.P. 24080 CAMPECHE, CAMP. TEL.: 981 815 2808
- CHIAPAS**
FIX FERRETERIAS
AV. CENTRAL SUR #27, COL. CENTRO, C.P. 50700, TAPACHULA, CHIS. TEL.: 962 118 4083
- CHIHUAHUA**
SUCURSAL CHIHUAHUA
AV. SILVESTRE TERREZAS #128-11, PARQUE INDUSTRIAL BARRA CARRETERA MÉXICO CUAUTÉMOC, C.P. 31415, CHIHUAHUA, CHIH. TEL.: 614 434 0052
- CUIDAD DE MEXICO**
FIX FERRETERIAS
EL MONSTRUO DE CORREGIDORA, CORREGIDORA # 35, COL. CENTRO, C.P. 06060, CUAUTÉMOC, CDMX. TEL.: 55 5522 5051 / 5522 4861
- COAHUILA**
SUCURSAL TORREÓN
CALLE METAL MECÁNICA #280, PARQUE INDUSTRIAL ORIENTE C.P. 27278, TORREÓN, COAH. TEL.: 871 209 68 25
- COLIMA**
BOMBAS Y MOTORES BYMATA DE MANZANILLO
BOMBA MICHUEN DE LA MAMBRID #190, COL. DE SEPTIEMBRE, C.P. 28259, MANZANILLO, COL. TEL.: 314 532 1986 / 532 8013
- DURANGO**
TORNILLOS ÁGUILA, S.A. DE C.V.
MANZARRO #200, COL. LUIS ECHERREY, DURANGO, DGO. TEL.: 618 817 1946 / 618 818 2844
- ESTADO DE MEXICO**
SUCURSAL CENTRO JILOTEPEC
PARQUE INDUSTRIAL #1, COL. PARQUE INDUSTRIAL JILOTEPEC, EDO. DE MÉX. C.P. 45257, TEL.: 761 782 9101 EXT. 5128 Y 5102
- GUANAJUATO**
CA FERRERÍA NUEVO MUNDO S.A. DE C.V.
AV. MÉXICO - JARÓN #225, CD. INDUSTRIAL, CELAYA, GTO. TEL.: 461 611 7578 / 79 / 80 / 88
- GUERRERO**
CENTRO DE SERVICIO ECIPISE
CALLE PRINCIPAL MZT. LT. 1, COL. SANTA FE, C.P. 39010, CHILPANCIANGO, GRO. TEL.: 747 478 5793
- HIDALGO**
FERRERESCS S.A. DE C.V.
LIERIADA ORIENTE #404, INTERIOR DE PASAJE ROBLEDOS, COL. CENTRO, C.P. 43600, TULANCINGO, HGO. TEL.: 775 755 6615 / 775 753 6616
- JALISCO**
SUCURSAL GUADALAJARA
AV. ADOLFO B. HORN # 6800, COL. SANTA CRUZ DEL VALLE, C.P. 45953, TLANOMULCO DE ZUNIGA, JAL. TEL.: 35 5606 5283 AL 90
- MICHOACÁN**
FIX FERRETERIAS
AV. PASO DE LA REPÚBLICA #3140-A, COL. EXHACIENDA DE LA HUERTA, C.P. 58050, MORELIA, MICH. TEL.: 445 534 6958
- MORELOS**
FIX FERRETERIAS
CAPTÁN ANZURES #495, ESQ. JOSÉ PERDIZ, COL. CENTRO, C.P. 62740, CUAUTLA, MOR. TEL.: 755 352 8951
- NAVARIT**
HERRAMIENTAS DE TEPIC
MAZATLÁN #117, COL. CENTRO, C.P. 63000, TEPIC, NAV. TEL.: 311 258 0540
- NEWEO LEÓN**
SUCURSAL MONTERREY
CARRETERA LARDEO #300, 1B MONTERREY PARKS, COLONIA PUERTA DE ANÁHUAC, C.P. 66052, ESCOBEDO, NUEVO LEÓN, TEL.: 81 8352 8791 / 81 8352 8790
- OAXACA**
FIX FERRETERIAS
AV. 20 DE NOVIEMBRE #910, COL. CENTRO, C.P. 68300, TUXTEPEC, OAX. TEL.: 287 106 3092
- PUEBLA**
SUCURSAL PUEBLA
AV. PERIFÉRICO #7-A, SAN LORENZO ALMECATLÁ, C.P. 22710, CUATLAHCO, PUE. TEL.: 222 282 8282 / 84 / 85 / 86
- QUERÉTARO**
AQU HERRAMIENTAS S.A. DE C.V.
AV. PUERTO DE VERACRUZ #110, COL. RANCHO DE ENMEDIO, C.P. 76842, SAN JUAN DEL RÍO, QRO. TEL.: 427 268 4544
- QUINTANA ROO**
FIX FERRETERIAS
CARRETERA FEDERAL MZ. 46 LT. 3 LOCAL 2, COL. EJIDAL, C.P. 77710 PLAMA DEL CARMEN, Q.R. TEL.: 984 267 5140
- SAN LUIS POTOSÍ**
FIX FERRETERIAS
AV. UNIVERSIDAD #1850, COL. EL PASO, C.P. 78520, SAN LUIS POTOSÍ, S.L.P. TEL.: 444 822 4341
- SINALOA**
SUCURSAL CUICUILA
AV. JESÚS KUAMATE SUR #4301, COL. HACIENDA DE LA MORA, C.P. 80143, CUICUILA, SIN. TEL.: 667 175 9159 / 173 8400
- SONORA**
FIX FERRETERIAS
CALLE DE FEBRERO #517, SUR LT. 25 MZ. 10, COL. CENTRO, C.P. 85000, CD. OBERGÓN, SON. TEL.: 644 415 2592
- TABASCO**
SUCURSAL VILLAHERMOSA
CALLE HEHIO LÓTEZ 1, 2 Y 3 MZ. #1, COL. INDUSTRIAL, 2A ETAPA, C.P. 86010, VILLAHERMOSA, TAB. TEL.: 993 555 7244
- TAMAUPLIPA**
VM FRONTS Y REPARACIONES
CALLE GOSIUS #522, ENTRE 20 DE NOVIEMBRE Y GRAL. RODRÍGUEZ, FRACC. REVOSA, C.P. 88780, REVOSA, TAM. TEL.: 899 926 7552
- TLAXCALA**
SERVICIOS Y HERRAMIENTAS INDUSTRIALES
PABLO SIDA# 152, COL. BARRIO DE SAN BARTOLOMÉ, C.P. 90970, SAN PABLO DEL MONTE, TLAX. TEL.: 222 271 7502
- VERACRUZ**
LA CASA DISTRIBUIDORA TRUPER
BLVD. PRIMAVERA ESQ. POZAN RICA, VER. PBMWERA, C.P. 95308, POZAN RICA, VER. TEL.: 782 823 8100 / 826 8484
- YUCATÁN**
SUCURSAL MÉRIDA
CALLE 33 #600 620, LOCALIDAD TIZIMCAB Y MULSAN, MÉR. UJMA#1, C.P. 97390, MÉRIDA, YUC. TEL.: 999 919 2451





Cambio de broquero

- Retire el mango auxiliar. Abra completamente las mordazas del broquero.
- Extraiga el tornillo de seguridad de cuerda izquierda, aflojándolo con un desarmador en el sentido de las manecillas del reloj.
- Fije el lado largo de una llave Allen "L" (no incluida) en una mordaza de banco. Inserte el lado corto de la llave Allen "L" (no incluida) al broquero y cierre las mordazas.
- Desplazce el botón selector de rotación a la posición de reversa (ver página 7 Dirección rotación) y accione el rotomartillo sujetándolo firmemente. El broquero se liberará con el giro.
- Coloque el broquero nuevo enroscándolo a la cuerda del rotomartillo hasta que llegue al tope.
- Abra las mordazas completamente e introduzca el tornillo roscándolo en sentido opuesto a las manecillas del reloj. Apriételo con un desarmador.

Limpieza y cuidados

- Siempre mantenga las ventillas limpias y libres de obstrucciones para garantizar un enfriamiento adecuado del motor.
- Inspeccione regularmente todos los tornillos de montaje y asegúrese de que estén apretados correctamente. En caso de que alguno de los tornillos este suelto, apriételo inmediatamente.

Servicio

- El servicio de las herramientas debe ser realizado únicamente en un Centro de Servicio Autorizado **TRUPER**. El servicio y mantenimiento realizado por personas no calificadas puede resultar peligroso y llegar a ocasionar daños personales además de invalidar la garantía del producto.

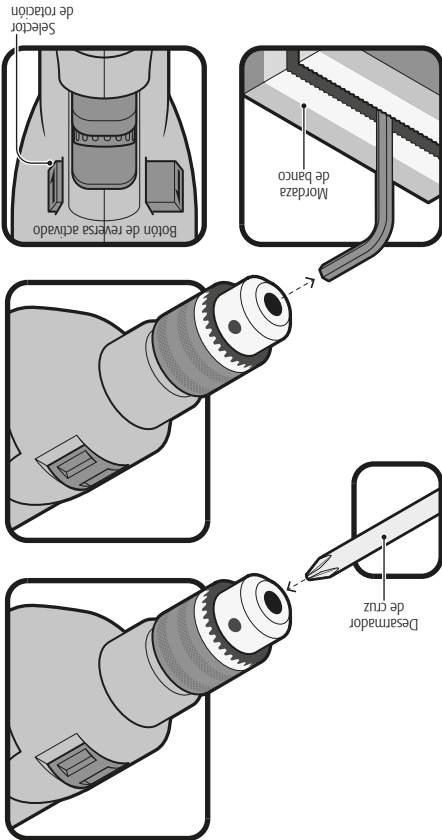
Mantenimiento

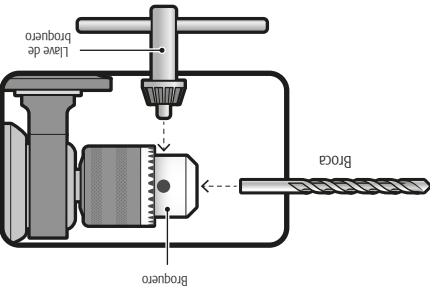
Lubricación

- Se recomienda que la transmisión de la herramienta sea lubricada cada cambio de carbones en un Centro de Servicio Autorizado **TRUPER**.

Cambio de carbones

- Los carbones deben revisarse periódicamente, y ser reemplazados siempre por un Centro de Servicio Autorizado **TRUPER** cuando se hayan desgastado.
- Después de que hayan sido reemplazados, pida que se inspeccione si los nuevos carbones pueden moverse libremente en el porta-carbón y solicite que enciendan la herramienta durante 5 minutos para emparejar el contacto de los carbones y el conmutador.
- Solo se deben de usar carbones de repuesto **TRUPER** originales, diseñados específicamente con la dureza y la resistencia eléctrica adecuadas para cada tipo de motor. Los carbones fuera de especificaciones pueden dañar el motor.
- Cuando se haga el cambio de carbones siempre deben reemplazarse los dos carbones.





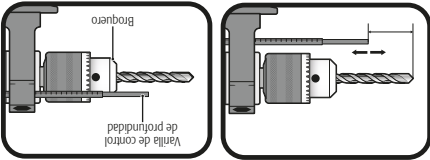
Instalación de la broca

- Introduzca la broca dentro del broquero hasta que tope y asegúrela con la llave de broquero apretando el broquero en cada uno de los orificios alternadamente.

⚠ ADVERTENCIA Limpie las rebabas y cualquier otro objeto extraño de la broca y el broquero, de lo contrario la broca puede no quedar bien apretada y causar lesiones personales serias.

Ajuste de varilla de control de profundidad

- Afloje el mango auxiliar (Ver Página 6; ensamble de mango auxiliar), para permitir el libre movimiento de la varilla.
- Mueva la varilla de profundidad de manera que la distancia entre el extremo de la varilla y el extremo de la broca se igual a la profundidad de taladrado deseada.
- Apriete el mango auxiliar (Ver Página 6; ensamble de mango auxiliar), para bloquear la varilla en posición.
- Cuando taladre con la varilla de profundidad, pare cuando el extremo de la varilla llegue a la superficie.



Puesta en marcha

Encendido y control de operación

- Operación intermitente: Conecte la clavija al tomacorriente. Presione el interruptor (A) para hacer que el rotomartillo empiece a funcionar. Para interrumpir su uso, simplemente suelte el interruptor.
- Operación continua: Conecte la clavija al tomacorriente. Presione el interruptor (A) y bloquéelo, apretando el botón de uso continuo (B). Para interrumpir su funcionamiento, presione y después suelte el interruptor.

Control de velocidad

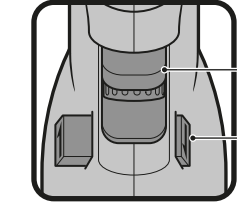
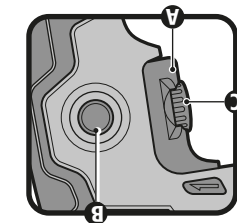
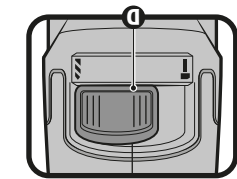
- La herramienta puede operarse a distintas velocidades. Estas se seleccionan ajustando el control de velocidad (C) que se encuentra en el interruptor. Gire el control de velocidad en dirección de las manecillas del reloj para aumentar la velocidad y torsión del rotomartillo. Gírelo en dirección opuesta a las manecillas del reloj para disminuir la velocidad y la torsión.

Cambio de rotomartillo a taladro

- Para perforar hormigón, piedra baldosa o materiales de dureza similar, recorra el selector de impacto-rotación (D) hacia (IMPACTO). La broca golpeará el material, rotando al mismo tiempo.
- Para perforar metal, madera o plástico, recorra el selector de impacto-rotación hacia (TALADRO), para que la broca rote sobre el material.
- **⚠ ADVERTENCIA** No intente perforar metal, madera o plástico con el rotomartillo en el modo de IMPACTO (el selector hacia (►)). De lo contrario reducirá la eficiencia de la herramienta, y dañará la punta de la broca.

Dirección de rotación

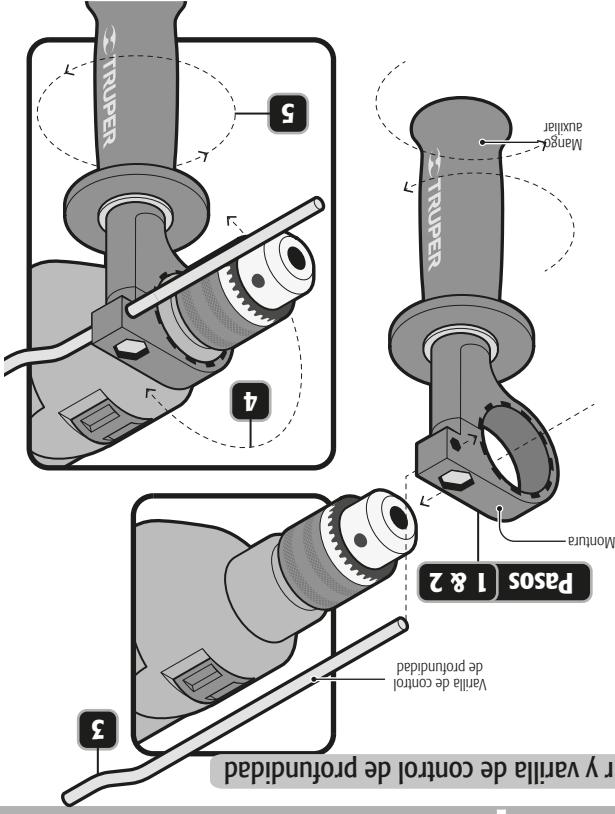
- Para que la broca gire hacia adelante y pueda taladrar, presione en el botón para modo reversible (E), el botón con la flecha que apunta al broquero.
- Para que gire en reversa y pueda utilizar la herramienta como destornillador, presione el botón con la flecha que apunta al mango del rotomartillo.
- **⚠ ADVERTENCIA** Nunca utilice la herramienta en reversa con el selector de impacto-rotación en la posición de IMPACTO (el selector hacia (►)), de lo contrario se ocasionarán serios daños al sistema de impacto.



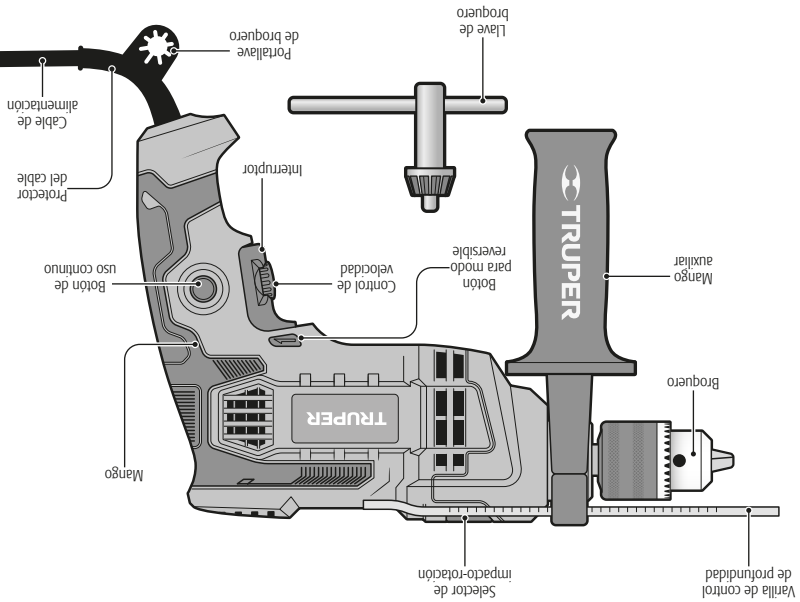
Botón para taladrar activado.

1. Cierre el mango auxiliar en sentido horario mientras esta libre, para que la apertura de la montura pase libremente sobre el broquero.
2. Inserte la cabeza del rotamartillo por la montura del mango auxiliar.
3. Inserte la varilla de control de profundidad en el orificio pequeño de la montura.
4. Rote el mango auxiliar junto con su montura hasta colocarlo en una posición adecuada para operar la herramienta. El mango auxiliar se asegurara cuando las muescas del mango ensamblen en el borde de la caja de engranes.
5. Cierre el mango auxiliar para fijar la montura firmemente a la cabeza del rotamartillo.

Ensamble de mango auxiliar y varilla de control de profundidad



Preparación



Partes

Elija la broca apropiada

⚠ ATENCIÓN - Elija la broca apropiada para el material a trabajar, esto reduce el riesgo de lesiones graves

y agilita el trabajo.

• En caso de perforar hormigón o piedra, use brocas específicas para concreto.

• Para metal o plástico use brocas para trabajos en metal. Las

medidas abarcan un mínimo de 1,5 mm hasta la capacidad

máxima del broquero. (13 mm).

• Para madera use brocas ordinarias para trabajos de

madera. En cualquier caso, perforando orificios de 6,5 mm

o menos, use brocas para trabajos en metal.

broquero.

Antes de operar el rotomartillo

• Tómese su tiempo para evaluar el trabajo a realizar y asegúrese de haber respaldado todas las precauciones

necesarias antes de comenzar a taladrar.

⚠ ADVERTENCIA - Ajuste correctamente la broca al

broquero. Quite la llave del broquero antes de comenzar a

taladrar. Si no se quita la llave, ésta puede salir despedida a

gran velocidad y provocar lesiones graves.

⚠ PELIGRO - Antes de perforar en una pared, suelo o

techo, asegúrese de que no haya objetos empotrados,

tales como cables o conducciones eléctricas o tuberías.

⚠ PELIGRO - Asegúrese que el interruptor esté

apagado (ver página 7 encendido y control de operación)

antes de conectar la herramienta, de lo contrario ésta

comenzará a funcionar inesperadamente, pudiendo

provocar lesiones graves.

⚠ ATENCIÓN - Apague y desconecte la herramienta

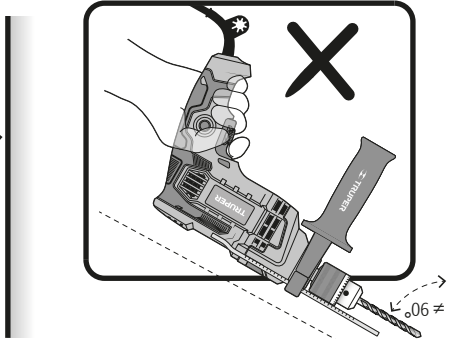
antes de instalar o reemplazar una broca.

Mientras opera el rotomartillo

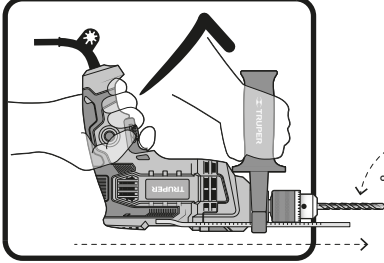
• **Sostenga la herramienta por su mango y por el mango auxiliar, si es que se proporciona con la**

herramienta. Recuerde que la pérdida de control puede

causar lesiones personales.



forma incorrecta de operar el rotomartillo



forma correcta de operar el rotomartillo

• Sostenga la herramienta por las superficies aislantes,

sobre todo al realizar trabajos en los que la parte de

corte de la broca pueda hacer contacto con cableados

ocultos o con el propio cable de alimentación de la

herramienta. El contacto con un cable conductor de

corriente hace que las piezas metálicas de la herramienta

también tengan corriente y puedan provocar una descarga

eléctrica al operador.

⚠ ATENCIÓN - Si la broca se atasca en la pieza de

trabajo, apague el rotomartillo de inmediato. Luego retire la

broca de la pieza de trabajo. No intente retirar las brocas

atoradas encendiendo y apagando la herramienta.

• No ejerza demasiada presión a la herramienta con tal de

acelerar la perforación. De lo contrario la broca se dañará y

la eficiencia de la herramienta disminuirá al igual que su

vida útil.

⚠ ADVERTENCIA - En cuanto más grande sea el

diametro de la broca, la fuerza reactiva es mayor, lo que

puede provocar una pérdida del control de la herramienta.

Para evitar esta posibilidad sujete firmemente la herramienta

con ambas manos y mantenga una posición equilibrada

sobre ambos pies mientras perfora a 90°.

• Esté atento y preparado para relajar la fuerza en cuanto la

broca atraviese el material. Los movimientos repentinos pueden

romper la broca o dañar el cuerpo de la herramienta.

⚠ ATENCIÓN - No toque la broca ni las perforaciones

inmediatamente después de taladrar. Espere a que se

enfriar para manipularlas. No intente enfriarlas con agua o

aceite.

• Evite colocar la herramienta en un sitio con partículas y/o

polvo inmediatamente después de haber sido usada, estas

pueden ser absorbidas dentro del mecanismo de la

herramienta y así dañarla.

• Usar protectores para los oídos cuando se utilice el

rotomartillo. La exposición al ruido puede causar

pérdida auditiva.

• Utilice mascarilla antipolvo y un equipo extractor

de polvo si es necesario. Recuerde que trabajar

materiales como asbesto, pinturas con plomo, aditivos,

algunos tipos de madera, metales o minerales es

altamente tóxico.

• Utilice gafas de seguridad.



Advertencias generales de seguridad para herramientas eléctricas

ADVERTENCIA! Lea detenidamente todas las advertencias de seguridad y todas las instrucciones para futuras referencias. Si existen a continuación. La omisión de alguna de ellas puede dar como resultado un choque eléctrico, incendio y/o daño serio. **Conserve las advertencias y las instrucciones para futuras referencias.**

Área de trabajo
Mantenga el área de trabajo limpia y bien iluminada.



Las áreas desordenadas y oscuras son propensas a accidentes.

No presente la herramienta en ambientes explosivos, como en presencia de líquido, gas o polvo inflamables.



Las herramientas eléctricas producen chispas que pueden encender material inflamable.



Mantenga alejados a los niños y curiosos cuando opere la herramienta.

Las distracciones pueden hacer que pierda el control.

Seguridad eléctrica

La clavija de la herramienta debe coincidir con el tomacorriente. Nunca modifique una clavija. No use ningún tipo de adaptador para clavijas de herramientas puestas a tierra.



Clavijas modificadas y enchufes diferentes aumentan el riesgo de choque eléctrico.

Evite el contacto del cuerpo con superficies puestas a tierra como tuberías, radiadores, cocinas eléctricas y refrigeradores. Hay un mayor riesgo de choque eléctrico si el cuerpo está puesto a tierra.

No exponga la herramienta a la lluvia o condiciones de humedad. El agua que ingresa en la herramienta aumenta el riesgo de choque eléctrico.

No fuerce el cable. Nunca use el cable para transportar, levantar o desconectar la herramienta. Mantenga el cable lejos del calor, aceite, ollas atornilladas o piezas en movimiento.

Los cables dañados o enredados aumentan el riesgo de choque eléctrico.

Cuando maneje una herramienta en exteriores, use una extensión especial para usos en exteriores.

El uso de una extensión adecuada para exteriores reduce el riesgo de choque eléctrico.

Si el uso de la herramienta en un lugar húmedo es inevitable, use una alimentación protegida por un interruptor de circuito de falla a tierra (GFCI).

El uso de un GFCI reduce el riesgo de choque eléctrico.

Seguridad personal

Esté alerta, vigile lo que está haciendo y use el sentido común cuando maneje una herramienta. No la use si está cansado o bajo la influencia de drogas, alcohol o medicamentos.

Use equipo de seguridad. Use siempre protección para los ojos.

El uso de equipación como lentes de seguridad, mascarilla antipolvo, zapatos antideslizantes, casco y protección para los oídos en condiciones apropiadas, reduce de manera significativa los daños personales.



Evite arranques accidentales. Asegúrese de que el interruptor de alimentación y/o a la batería o transportar la herramienta.

Transportar herramientas eléctricas con el dedo sobre el interruptor o conectar herramientas eléctricas que tienen el interruptor en posición de "encendido" puede causar accidentes.



Retire cualquier llave o herramienta de ajuste antes de encender la herramienta eléctrica.

Las llaves o herramientas que quedan en las partes rotativas de la herramienta pueden causar un daño personal.

No sobrepase su campo de acción. Mantenga ambos pies bien asentados sobre el suelo y conserve el equilibrio en todo momento.

Esto permite un mejor control de la herramienta en situaciones inesperadas.

Vista adecuadamente. No vista ropa suelta o joyas. Mantenga su cabello, su ropa y guantes alejados de las piezas en movimiento.



La ropa, el cabello sueltos o las joyas pueden quedar atrapados en las piezas en movimiento.

En caso de contar con dispositivos de extracción y recolección de polvo conectados a la herramienta, verifique sus conexiones y úselos correctamente.

El uso de estos dispositivos reduce los riesgos relacionados con el polvo.

Uso y cuidados de la herramienta

No fuerce la herramienta. Use la herramienta adecuada para el trabajo a realizar.



La herramienta adecuada hace un trabajo mejor y más seguro cuando se usa al ritmo para el que fue diseñado.

No use la herramienta si el interruptor no funciona.

Cualquier herramienta eléctrica que no pueda encenderse o apagarse es peligrosa y debe repararse antes de ser operada.

Desconecte la herramienta de la fuente de alimentación y/o de la batería antes de efectuar cualquier ajuste, cambiar accesorios o almacenarla.

Estas medidas reducen el riesgo de arrancar la herramienta accidentalmente.

Almacene las herramientas fuera del alcance de los niños y no permita su manejo por personas no familiarizadas con las herramientas o con las instrucciones.



Las herramientas eléctricas en manos no entrenadas.

Dele mantenimiento a la herramienta. Compruebe que las partes móviles no estén desalineadas o trabadas, que no haya piezas rotas u otras condiciones que puedan afectar su operación. Repare cualquier daño antes de usar la herramienta.

Muchos accidentes son causados por el escaso mantenimiento de las herramientas.

Mantenga los accesorios de corte afilados y limpios.

Los accesorios de corte en buenas condiciones son menos propensos de trabarse y más fáciles de controlar.

Use la herramienta, sus componentes y accesorios de acuerdo con estas instrucciones y de la manera prevista para el tipo de herramienta, en condiciones de trabajo adecuadas.

El uso de la herramienta para aplicaciones diferentes para las que está diseñada podría causar una situación de peligro.

Repare la herramienta en un Centro de Servicio Autorizado. **TRUPER** usará sólo piezas de repuesto idénticas.

Para mantener la seguridad de la herramienta.

Servicio

ROTO-1/2N6

19457	•	Código
Rotomartillo	•	Descripción
1/2" (13 mm)	•	Broquero
127 V~	•	Tensión
60 Hz	•	Frecuencia
5 A	•	Corriente
Rotomartillo Taladro	•	Funciones
700 W	•	Potencia
0 - 49 600 golpes/min	•	Golpes por minuto
0 - 3 100 r/min	•	Velocidad
Acero: 9,5 mm (3/8") Madera: 25 mm (1") Concreto: 13 mm (1/2")	•	Capacidad de perforación
50 min de trabajo por 20 min de descanso. Máximo 6 horas diarias.	•	Ciclo de trabajo
18 AWG x 2C con temperatura de aislamiento de 105 °C	•	Conductores
Clase II	•	Aislamiento
Grado IP	•	IP20

El cable de alimentación tiene sujeta-cables tipo: Y
 La clase de construcción de la herramienta es: Aislamiento reforzado.
 La clase de aislamiento térmico de los devanados del motor: Clase B

ADVERTENCIA

Si el cable de alimentación se daña, éste debe ser reemplazado por el fabricante o Centro de Servicio Autorizado **TRUPER**, con el fin de evitar algún riesgo de descarga o accidente considerable. La construcción del aislamiento eléctrico de esta herramienta es alterado por saipicaduras o derramamiento de líquidos durante su operación. No la exponga a la lluvia, líquidos y/o humedad. Antes de obtener acceso a las terminales, todos los circuitos de alimentación deben ser desconectados.



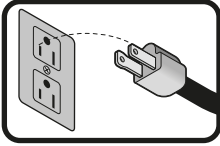
Requerimientos eléctricos

ADVERTENCIA

Las herramientas de doble aislamiento y aislamiento reforzado están equipadas con una clavija polarizada (una pata es más ancha que la otra). Esta clavija cabe en cualquier enchufe polarizado y sólo puede conectarse de una forma. Si la clavija no cabe en el enchufe, voltéelo. Si aún así no cabe, póngase en contacto con un electricista calificado o instale un enchufe polarizado. No altere la clavija en forma alguna. Ambos tipos de aislamiento eliminan la necesidad de un cable de corriente de tres partes con conexión a tierra de un sistema de corriente eléctrica con conexión a tierra. Al usar un cable de extensión, asegúrese de usar el calibre suficiente para transportar la línea, teniendo como resultado pérdida de potencia y sobrecalentamiento del motor. La siguiente tabla muestra el tamaño correcto que debe usarse dependiendo de la longitud del cable y de la capacidad de amperes indicada en la placa de datos de la herramienta. Si tiene dudas use el siguiente calibre más alto.

ADVERTENCIA

El cable de extensión debe usarse dependiendo de la longitud del cable y de la capacidad de amperes indicada en la placa de datos de la herramienta. Si tiene dudas use el siguiente calibre más alto.



Capacidad en Amperes

Número de conductores

de 1,8 m a 15 m | mayor de 15 m

de 0 A hasta 10 A	18 AWG(*)	16 AWG
de 10 A hasta 13 A	16 AWG	14 AWG
de 13 A hasta 15 A	14 AWG	12 AWG
de 15 A hasta 20 A	8 AWG	6 AWG

3 (uno a tierra)

ADVERTENCIA

Al operar herramientas eléctricas en exteriores, utilice una extensión aterrizada marcada como "Uso exterior" marca **VOLTEC**. Estas extensiones son especiales para el uso en exteriores y reducen el riesgo de sufrir una descarga eléctrica.



Recomendaciones de uso y cuidados

3	Especificaciones técnicas
3	Requerimientos eléctricos
4	Advertencias generales de seguridad para herramientas eléctricas
5	Advertencias de Seguridad para uso de taladros y rotomartillos
6	Partes
6	Preparación:
7	Puesta en marcha
8	Mantenimiento
9	Notas
11	Centros de Servicio Autorizados
12	Póliza de Garantía

Para poder sacar el máximo provecho de la herramienta, hacer válida la garantía en caso de ser necesario y evitar riesgos o lesiones graves, es fundamental leer este instructivo por completo antes de usar la herramienta.

Guarde este instructivo para futuras referencias. Los gráficos de este instructivo son para referencia, pueden variar del aspecto real de la herramienta.

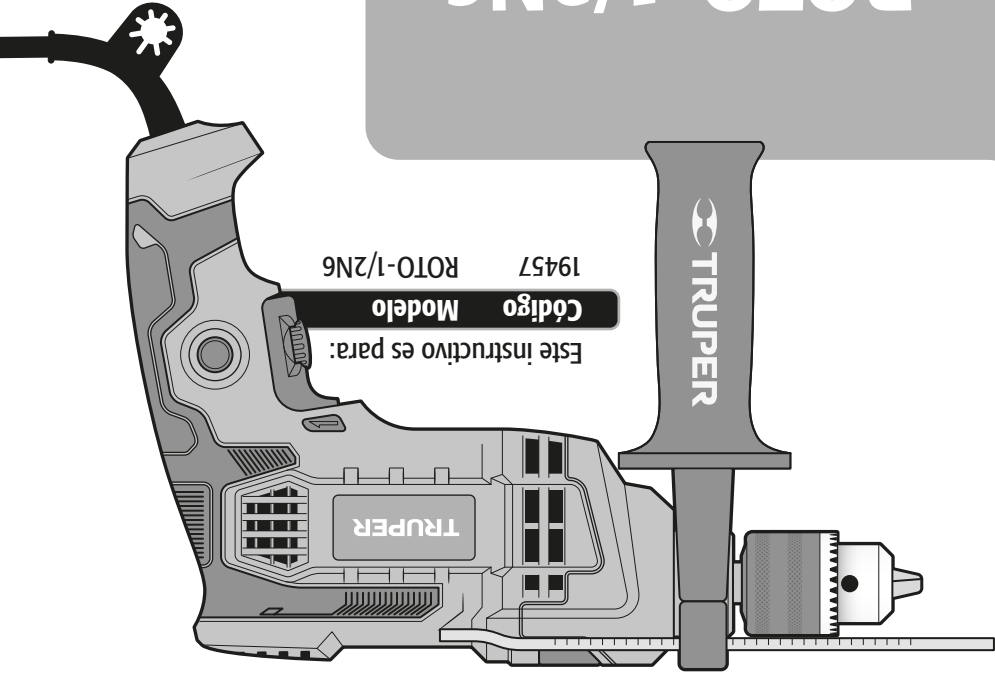
ATENCIÓN

- 
PARA PROLONGAR LA VIDA DE SU HERRAMIENTA. Limpie con aire comprimido (soplear), después de cada uso.
- 
 Nunca use el cable para transportar, levantar o desconectar la herramienta.
- 
 No cambie los selectores mientras el borquero esté girando.
- 
RESPECTE LOS CICLOS DE TRABAJO. 50 min de trabajo por 20 min de descanso. Máximo diario 6 horas.
- 
 Realice **MANTENIMIENTO** periódico a su máquina (página 8).

Instrumento de

Rotomartillo

700 W
13 mm
1/2" Broquero



Este instructivo es para:

Código Modelo

19457 ROTO-1/2N6

ROTO-1/2N6



ATENCIÓN

Lea este instructivo por completo antes de usar la herramienta.

