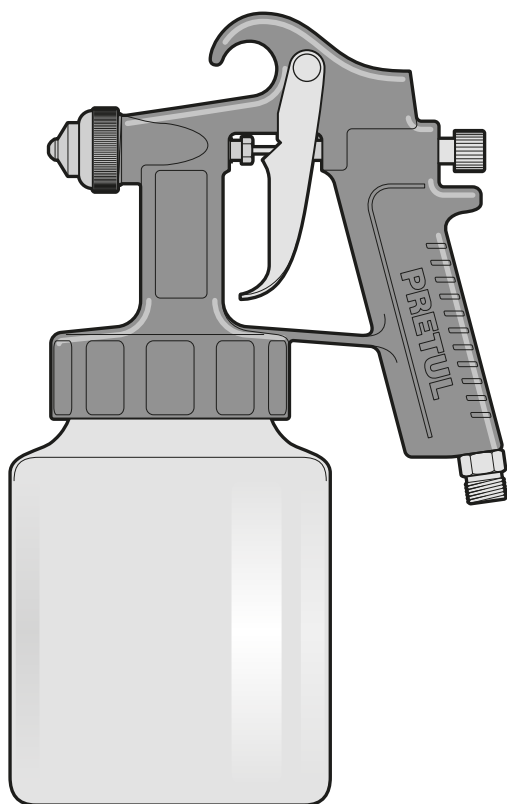




Manual
Spray Gun



FOR PARTS USE PIPI-26
SPARE PARTS



Read this manual thoroughly
before using the tool.

Technical Data	2
Pneumatic Requirements	2
 Safety Warnings for the Use of Pneumatic Tools	3
 Safety Warnings for the Use of Spray Guns	4
Parts	5
Preparation	6
Start Up	7
Maintenance	8
Troubleshooting	9
Notes	10

CAUTION

To gain the best performance of the tool, prolong the duty life, make the Warranty valid if necessary, and to avoid hazards of fatal injuries please read and understand this Manual before using the tool.

Keep this manual for future references.


The illustrations in this manual are for reference only. They might be different from the real tool.

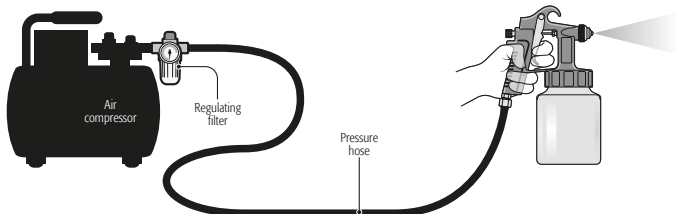
Technical Data

Description •	Spray Gun
Jar Capacity •	0.26 gal
Air Pressure •	20 PSI - 50 PSI
Connection Diameter •	1/4 NPT
Air Consumption •	6 CFM
Nozzle Diameter •	0.05"

Pneumatic Requirements

- For household jobs, it is possible to use 1.5 CV compressors with a 5.2 gallons' deposit. For more demanding jobs, like bodywork, industry, etc., we recommend using 3 CV compressors with a 26.4 gallons' deposit as minimum.
- Use high-pressure hoses with the adequate length to do the job comfortably.

 **CAUTION** • Dust and water condensation inside the compressor tank can cause a deficient finish in the surface to be painted. To prevent that possibility, install a regulating filter between the compressor and the gun.



Safety Warnings

for the Use of Pneumatic Tools

PRETUL®

Keep your work area clean, tidy and well lit.

CAUTION Cluttered and dark areas may cause accidents.



Never use the tool in explosive environments or near flammable liquids.

DANGER Sparks generated by the tool may cause explosion or fire.



Keep children and visitors at a safe distance when using the tool.

WARNING Distractions may cause losing control and cause accidents.



Avoid contact with power lines and circuits.

DANGER Find and avoid both power lines and circuits, especially hidden wires and grounded devices.



Stay alert, use care and common sense.

CAUTION Do not rely on your knowledge of the tool. Do not get distracted while operating it. It could cause accidents.



Do not use the tool when tired or under the influence of drugs, alcohol or medication.

DANGER One second of distraction while using the tool may cause severe injuries.



Use the tool with guards and protective devices in place and in good working conditions.

WARNING Failure to comply with these measures may cause severe injuries.



Secure and support the work piece properly.

CAUTION Use bench vices and a stable working area.

Do not force the tool.

CAUTION It will do the job better and safer at the rate for which it was intended.



Store the tool in a safe place away from the reach of children.

WARNING Power tools are dangerous for inexperienced people.



Dress properly.

WARNING Loose clothing, jewelry or long hair may get caught in moving parts.



Keep your hands away from rotating and/or mobile parts.

WARNING Failure to comply with this safety measure exposes you to severe personal injury.



Use adequate personal protection.

CAUTION Using safety glasses, anti-dust mask, safety non-skid shoes, helmet and earplugs used in adequate conditions considerably reduce the risk of injury.



Disconnect the air hose from the tool servicing, changing devices or storing.

WARNING Reduce the risk of unintentional starting causing accidents.



Never use a tool if the switch is not working or is not properly assembled.

WARNING You are exposed to severe personal injury.



Do not overreach.

CAUTION Good footing and balance allow you to gain better control of the tool in unexpected situations.



Never pull the air hose.

WARNING Do not use it to carry or disconnect the tool pulling out the air supply. Damaged or tangled hoses can burst and shoot residues towards the operator.



Avoid accidental start up.

WARNING Make sure the air supply tool is switched off before connecting or moving the tool.



Remove vices before starting the tool.

DANGER Additional tools or vices set into a moving part may cause severe injury.



Service the tool and verify it is in excellent working conditions.

CAUTION Carefully check all moving parts, alignment and assembly. Make this periodically. Look for damaged or malfunctioning parts to immediately be repaired.



Accessories.

CAUTION Use only accessories or spare parts recommended in this MANUAL or certified by **TRUPER®**.



Never leave a running tool unattended.

CAUTION Switch off and disconnect the tool from the air supply after operating and before putting it aside. Avoid severe injury.



Substances and Materials

⚠ CAUTION • The unit is designed to apply covering materials like paint, varnish, enamel, etc. These should have an ignition point not lower than 70 °F. Check the product can label or container.

⚠ WARNING • Do not spray substances you are not familiar with and if their potential danger is unknown to you.

⚠ WARNING • Do not spray flammable substances.
• Use care with dangers originated by the sprayed substances. Read the text and information in the cans and containers or the manufacturer specifications.

Before operating the unit

⚠ CAUTION • The unit shall not be used in enclosed areas or explosive environments.
• If working outdoors consider wind direction. Wind carries the covering to great distances, causes damages and makes the job difficult.

⚠ CAUTION • If working indoors, verify there is adequate ventilation.

⚠ WARNING • The work area shall be free of any ignition source. Do not smoke while spraying or near the work area.

⚠ CAUTION • Wear a face mask and safety goggles when spraying. Prevents damaging lungs and eyes.
• Wearing gloves and an overall is recommended to protect hands and clothes from the product when applying.



While operating the device

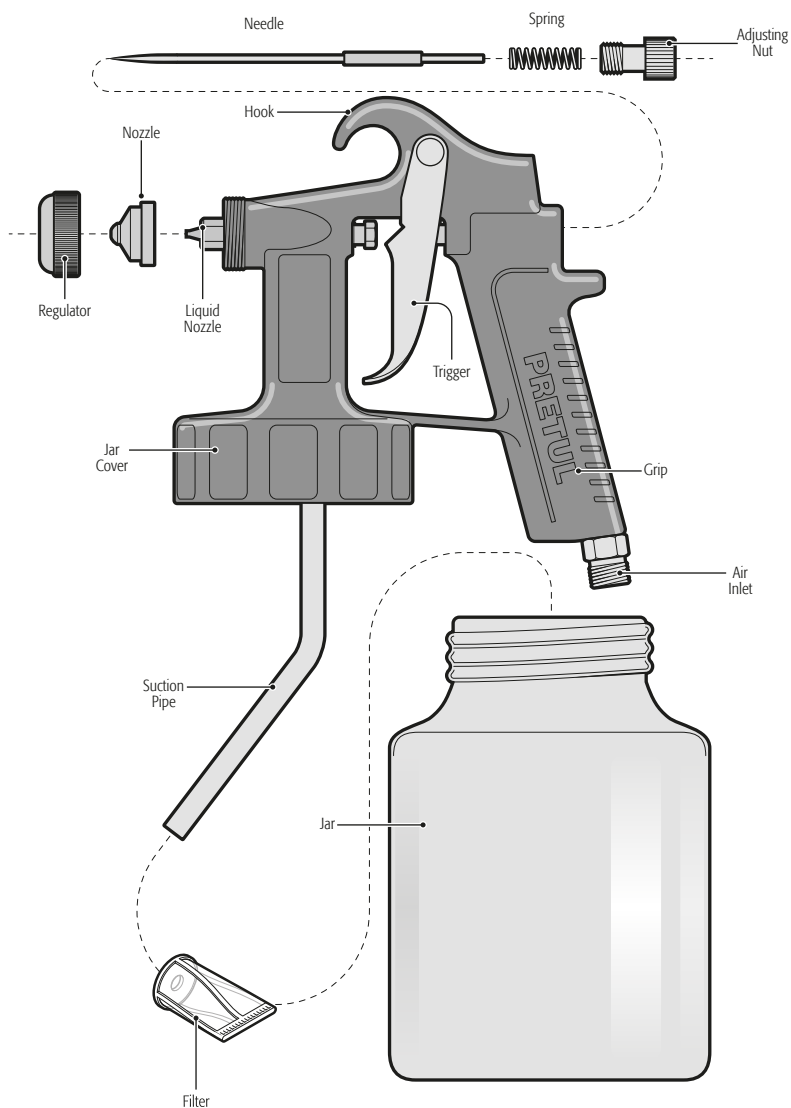
⚠ CAUTION • Never point the sprayer towards your body, passersby or animals.

• Make sure that the equipment does not absorb any steam solvent.

⚠ CAUTION • In the event you need to pause during the application process, do not set the sprayer sideways. Hold it by the hook of somewhere for it be vertical.

After operating the unit

⚠ WARNING • When finishing the job clean the gun perfectly to eliminate any product residue. Accumulations can damage the gun and cancel the Warranty



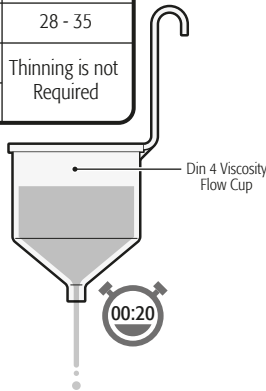
- To make a good job, it is important to prepare the surface to be sprayed. Thin the paint or product to gain the right viscosity before applying.
- Always double check the surface is free of dust, dirt or grease.
- Make sure to cover with adhesive tape, some newspaper and/or plastic those areas that do not require spraying.
- Paint or product to be sprayed shall be mixed perfectly before filling the jar to prevent they settle and to make them lump-free.
- Before buying the product read the manufacturer recommendations.

Thinning the material

- Most paints are sold ready to be used with a brush. They need to be thinned before applying with a spray gun. Follow the manufacturer's instructions to thin it.
- Adding a thinner is recommended. Add 5% to 10% until reaching the right viscosity to apply the material.
- Use the din 4 viscosity flow cup (not included) to determine right viscosity of the paint. Viscosity is determined by counting the seconds it takes for the material to be discharged into the measuring glass. The following table shows the recommended times for different products.

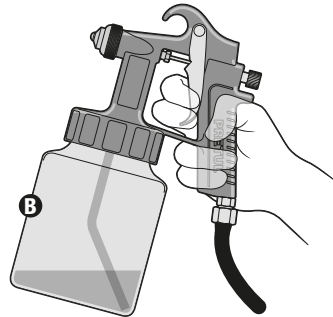
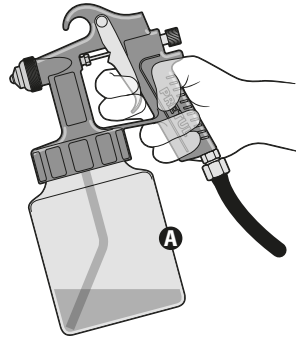
Product	Second to discharge
Water based Paint	20 - 25
Primer	24 - 28
Varnish	20 - 25
Oil Based Paint	18 - 22
Enamel Paint	18 - 22
Aluminum Paint	22 - 25
Automotive Sealant	25 - 35
Wood Sealant	28 - 35
Wood Preserver	Thinning is not Required
Wood Stain	

- If after thinning the product the dispersion capacity is too low, add thinner. Add slowly from 5 % to 10 % until the dispersion capacity meets your needs.
- If the paint is too thick, the painted surface will be too rough (orange peel). If the paint is too liquid, there is risk of dripping.



Filling the Jar

- Unscrew the paint gun jar.
- Align the suction pipe suitable for the job:
To spray horizontal objects set the suction pipe forward **(A)**.
To spray surfaces above your head, set the suction pipe backwards **(B)**.
- Set the jar onto a piece of newspaper. Pour the prepared covering material and tighten the jar firmly into the paint gun.



Volume Selector

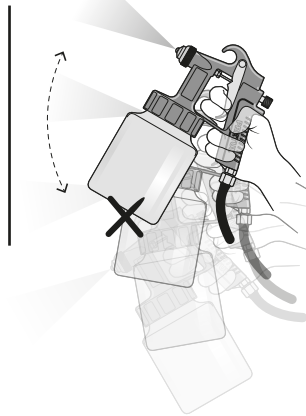
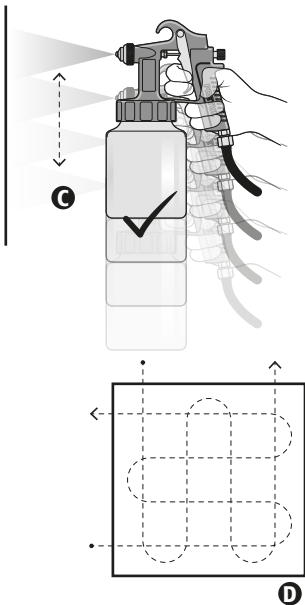
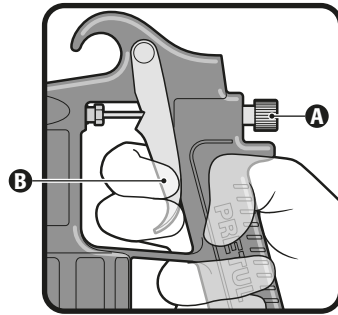
- Turn the adjusting screw **(A)** in a counterclockwise direction to increase the volume of the material to be sprayed.
- Turn the adjusting screw in a clockwise direction to diminish the volume of the material to be sprayed.

Spraying Techniques

- To get the best result keep the gun always level and parallel to the surface **(C)**. Keep the nozzle 10" – 14" away from the surface and spray evenly from side to side and up and down. Do not spray in an angle otherwise the paint may run through the surface. Do soft and uniform passes. When spraying large surfaces use a crossed pattern **(D)**.
- Move the gun with a steady and uniform speed. Fast movements produce thinner layers. Slow movements produce thicker layers.
- Apply one layer at a time. In the event of needing a second layer read the drying recommendations from the product manufacturer before applying an extra layer. Remember that to get a better finish applying two thin layers is better than only one thick layer.
- When spraying small areas turn the adjusting screw to lessen the volume of the material. This prevents using too much paint and over-spraying
- To assure a uniform application, do not pause while spraying an object when possible.
- Do not tilt the paint gun in an angle higher than 45°.

Start up

- Start the compressor.
- Press the trigger **(B)** to open the air flow and start suctioning the product from the jar. Point the paint gun towards a piece of cardboard until the spray flows.
- Release the trigger to stop the spray flow.



Cleansing and Care

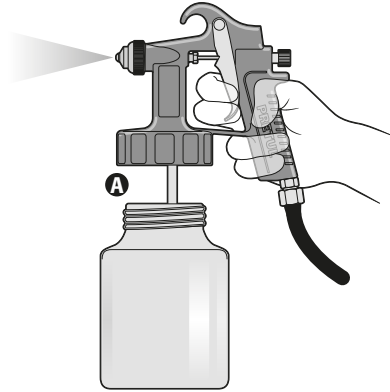
• It is very important to clean the spray gun thoroughly after each use.

⚠ WARNING An inadequate cleansing can result in malfunctioning and will cancel the Warranty.
• Turn the jar to remove it from the gun. Do not remove completely. Press the trigger to remove remaining product from inside the spray gun system **(A)**.

- Pour the remaining material into an adequate container.
- Disconnect the paint gun hose.
- Clean the jar, the gasket seal and the suction pipe thoroughly with a rag soaked with the solvent that is right for the product.
- Disassemble the regulator, the sprayer, the nozzle and the needle. Clean them with a brush and solvent.
- Clean the paint gun body with a piece of rag moistened with solvent.

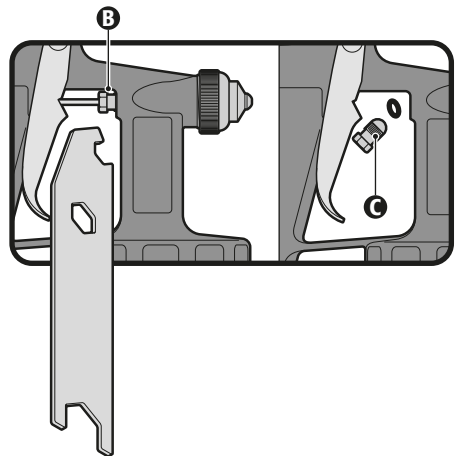
⚠ CAUTION Do not immerse the gun in solvent. The gasket may get damaged.

- When the parts are clean assemble back the spray gun.
- Pour a small amount of solvent into the jar.
- Connect the hose to the spray gun.
- Start the compressor and spray into a container until getting clean solvent out through the nozzle.



Needle Seal

- Use special care adjusting the needle seal. This is very important to obtain good results.
- Adjust the needle seal using a wrench, not included **(B)**.
- Periodically check the seal to be sure it is not damaged. To gain access to the seal remove the needle and remove the seal pressing piece **(C)**.



Problem

Cause

Solution

Paint drips through the nozzle.

- Dirty or obstructed nozzle.
- Damaged nozzle.

- Clean the nozzle.
- Replace the nozzle.

Paint leaking through the needle seal.
Paint adheres to the needle.

- The seal in the needle is too tight or damaged.
- The seal in the needle is missing.

- Tighten or replace the needle seal (see page 8).
- Set a new seal from the needle (see page 8).

Wrong fan spraying pattern.

- Dirty or obstructed nozzle.
- Damaged nozzle.
- Obstructed air orifices.

- Clean the nozzle.
- Replace the nozzle.
- Clean the regulator, the sprayer, nozzle, needle, suction pipe, air and paint ducts.



Wrong Spray Pattern



Right Spray Pattern

Spray is not consistent.

- The jar has not enough paint.
- Nozzles are not tightened correctly or are damaged.
- Needle seal is loose or damaged.

- Fill up the jar with paint.
- Tighten or replace the nozzles.
- Tighten or replace the needle seal.

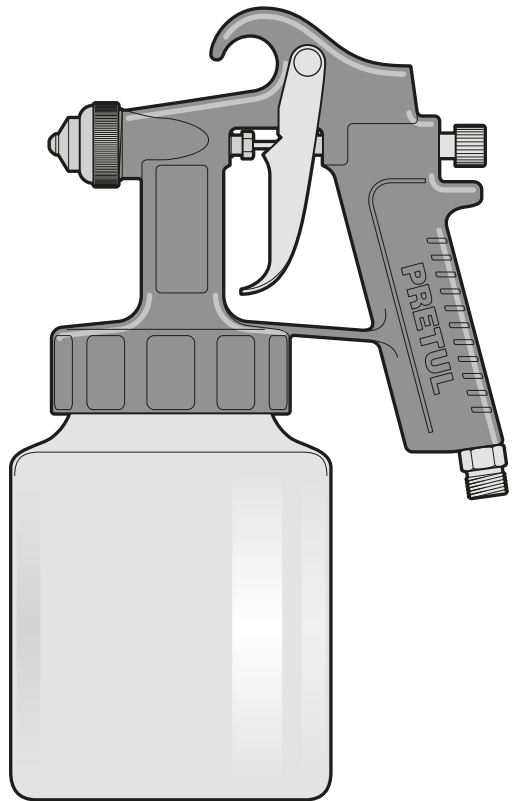
There is boiling in the paint deposit.

- Nozzles are not tightened correctly or are damaged.
- Filter is dirty or obstructed.
- The jar is not tightened correctly or the jar washer is damaged.

- Clean or replace the nozzles.
- Clean the filter or replace it.
- Tighten the jar. Replace the washer if damaged.

Instructivo de

Pistola para pintar



PARA REFACCIONES USAR
REFACCIONES DE PIPI-26

 **ATENCIÓN**



Lea este Instructivo por completo
antes de usar la herramienta.

Especificaciones técnicas.....	2
Requerimientos neumáticos.....	2
 Advertencias de Seguridad para uso de herramientas neumáticas.....	3
 Advertencias de Seguridad para uso de pistolas para pintar.....	4
Partes.....	5
Preparación.....	6
Puesta en marcha.....	7
Mantenimiento.....	8
Solución de problemas.....	9
Notas.....	10

ATENCIÓN

Para poder sacar el máximo provecho de la herramienta, alargar su vida útil, hacer válida la garantía en caso de ser necesario y evitar riesgos o lesiones graves, es fundamental leer este Instructivo por completo antes de usar la herramienta.

Guarde este Instructivo para futuras referencias.


Los gráficos de este Instructivo son para referencia, pueden variar del aspecto real de la herramienta.

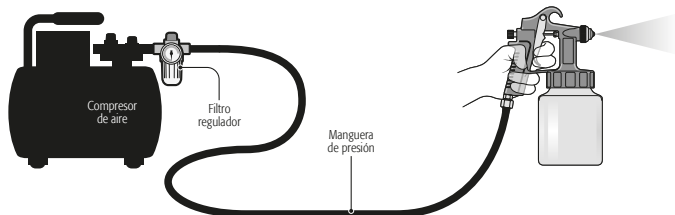
Especificaciones técnicas

Descripción	•	Pistola para pintar
Capacidad del vaso	•	1 L (0.26 gal)
Presión de trabajo	•	137.8 kPa (20 PSI) - 344.7 kPa (50 PSI)
Diámetro de conexión	•	1/4 NPT
Consumo de aire	•	169.9 L/min (6 CFM)
Diámetro de la boquilla	•	1.5 mm (0.05")

Requerimientos neumáticos

- Para trabajos caseros es posible utilizar compresores de 1.5 CV con depósito de 20 litros; para trabajos más demandantes como trabajos en carrocería, industria, etc. se recomienda utilizar compresores de al menos 3 CV con depósito de 100 litros.
- Utilice mangueras de alta presión con una longitud adecuada para realizar el trabajo de pintado cómodamente.

 **ATENCIÓN** • El polvo y agua condensada dentro del tanque del compresor pueden ocasionar un acabado deficiente en la superficie a pintar. Se recomienda instalar un filtro regulador entre el compresor y la pistola para evitar esta posibilidad.



Advertencias de Seguridad

para uso de herramientas neumáticas

PRETUL®

Mantenga su área de trabajo limpia, ordenada y bien iluminada.

⚠ ATENCIÓN Áreas desordenadas y oscuras pueden provocar accidentes.



Nunca utilice la herramienta en ambientes explosivos, o en presencia de líquidos inflamables o sin ventilación.

⚠ PELIGRO Las chispas que genera la herramienta podría provocar una explosión o incendio.



Mantenga a los niños y a otras personas a una distancia segura mientras utiliza la herramienta.

⚠ ADVERTENCIA Las distracciones pueden hacerle perder el control y provocar accidentes.



Evite hacer contacto con líneas y circuitos eléctricos.

⚠ PELIGRO Ubique y evite todas las líneas y circuitos eléctricos, especialmente el cableado oculto. Así como cualquier objeto conectado a tierra.



Esté siempre alerta, sea prudente y utilice el sentido común.

⚠ ATENCIÓN No deje que la familiaridad con el uso de la herramienta lo distraiga mientras la utiliza. Esto puede provocar accidentes.



No utilice la herramienta si está cansado, o bajo la influencia de drogas, alcohol o medicamentos.

⚠ PELIGRO Un momento de distracción mientras utiliza la herramienta puede provocar lesiones personales graves.



Utilice la herramienta con todas sus piezas en su lugar y en buen estado.

⚠ ADVERTENCIA De no hacerlo se expone a lesiones personales graves.



Asegure y apoye adecuadamente la pieza de trabajo.

⚠ ATENCIÓN Utilice abrazaderas y una superficie de trabajo estable.

Nunca fuerce la herramienta.

⚠ ATENCIÓN Trabajar dentro del rango para el que fue diseñada asegura un mejor trabajo y es más seguro.



Guarde la herramienta en un lugar seguro fuera del alcance de los niños.

⚠ ADVERTENCIA Las herramientas neumáticas son peligrosas en manos inexpertas.



Utilice la indumentaria adecuada.

⚠ ADVERTENCIA La ropa suelta, joyas o cabello largo pueden ser atrapados por las piezas móviles.



Mantenga las manos alejadas de las partes giratorias y/o móviles.

⚠ ADVERTENCIA De no hacerlo se expone a lesiones personales graves, como cortes, quemaduras o aplastamiento.



Utilice equipo adecuado de protección personal.

⚠ ATENCIÓN Utilice protección para los ojos. Mascarilla antipolvo, zapatos de seguridad antideslizantes, casco y protección para los oídos en condiciones adecuadas reducen considerablemente el riesgo de lesiones.



Desconecte la manguera de aire de la herramienta antes de darle mantenimiento o cambiar sus accesorios.

⚠ ADVERTENCIA Para evitar encendidos accidentales que deriven en accidentes.



Nunca utilice la herramienta si el interruptor no funciona o no está debidamente ensamblada.

⚠ ADVERTENCIA De hacerlo se expone a lesiones personales graves, repárela inmediatamente.



No sobre extienda su campo de acción.

⚠ ATENCIÓN Un buen apoyo y equilibrio permiten un mejor control de la herramienta en situaciones inesperadas.



Nunca tire de la manguera de aire.

⚠ ADVERTENCIA No la use para cargar la herramienta o desconectarla de la toma de aire. Las mangueras dañadas o enredados pueden reventar y lanzar residuos al operador.



Evite encendidos accidentales.

⚠ ADVERTENCIA Asegúrese de que la toma de aire está desconectada antes de lubricar, colocar accesorios o dar mantenimiento a la herramienta.



Retire cualquier llave de ajuste antes de encender la herramienta.

⚠ PELIGRO Herramientas adicionales o llaves colocadas en una pieza giratoria de la herramienta puede provocar lesiones personales graves.



Déle mantenimiento a la herramienta y cerciódese que se encuentra en condiciones óptimas antes de utilizarla.

⚠ ATENCIÓN Revise cuidadosamente sus partes móviles, su alineación y montaje. Hágalo periódicamente. Busque cualquier elemento dañado o pieza que no funcione adecuadamente para su inmediata reparación.



Accesorios.

⚠ ATENCIÓN Utilice sólo los accesorios o refacciones indicados en este Instructivo o certificados por **TRUPER**.



Nunca deje la herramienta en marcha sin supervisión.

⚠ ATENCIÓN Desconecte la herramienta de la toma de aire después de operarla y antes de dejarla para evitar accidentes graves.

Substancias y materiales

⚠ ATENCIÓN • El equipo está diseñado para aplicar materiales de recubrimiento como pintura, barniz, esmalte, etc. Los cuales deben tener un punto de inflamación no menor de 21°C, consulte la etiqueta de la lata o contenedor del producto.

⚠ ADVERTENCIA • No rocíe substancias con las cuales no esté familiarizado y desconozca su peligro potencial.

⚠ ADVERTENCIA • No rocíe substancias inflamables. • Tenga cuidado con los peligros que se originen por las substancias rociadas. Consulte el texto y la información de las latas y contenedores o las especificaciones del fabricante.

Antes de operar el equipo

⚠ ATENCIÓN • El equipo no debe utilizarse en espacios cerrados ni en ambientes explosivos.

• Si va a trabajar en exteriores considere la dirección del viento. El viento puede llevar el recubrimiento a grandes distancias y ocasionar daños, además de dificultar el trabajo.

⚠ ATENCIÓN • Si va a trabajar en interiores verifique que haya ventilación adecuada.

⚠ ADVERTENCIA • El área de trabajo debe de estar libre de cualquier fuente de ignición. No fume durante el trabajo de rociado ni cerca del área de trabajo.

⚠ ATENCIÓN • Utilice una mascarilla y lentes de seguridad cuando rocíe para evitar daños en los pulmones y los ojos.

• Se recomienda utilizar guantes y overol para proteger sus manos y ropa del producto a aplicar.



Mientras opera el equipo

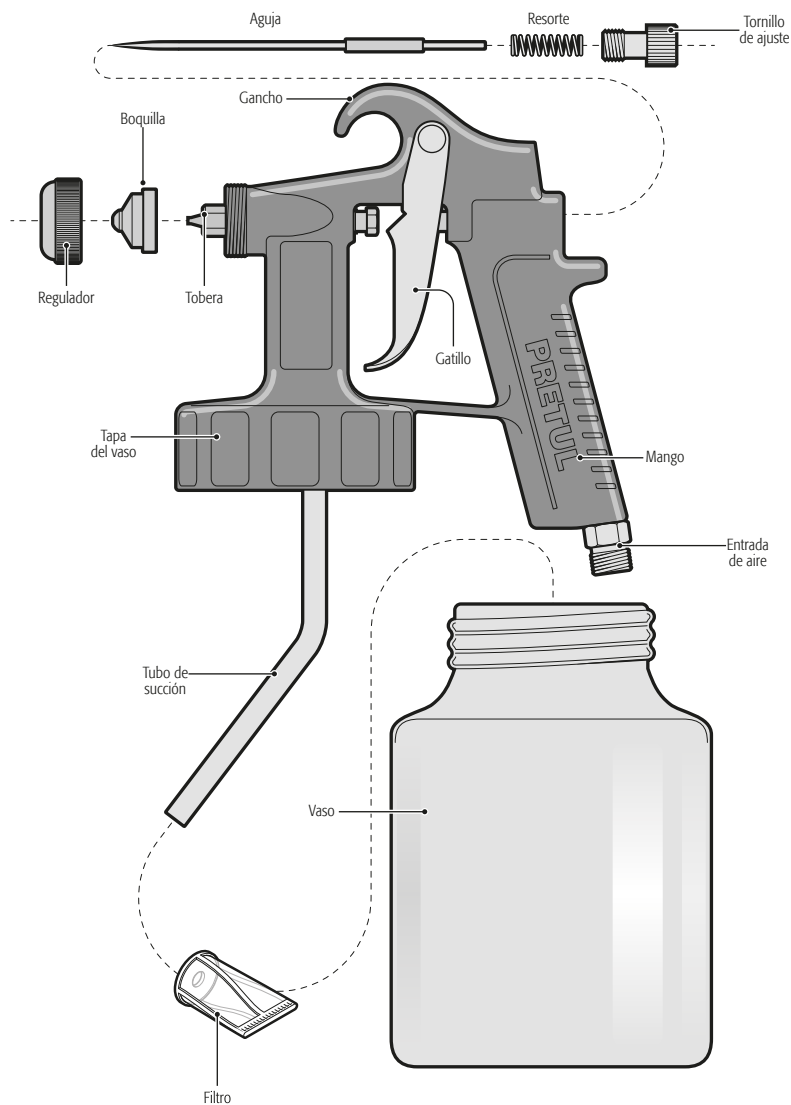
⚠ ATENCIÓN • Nunca apunte la pistola para pintar hacia usted ni a otras personas o animales.

• Asegúrese de que el equipo no absorba ningún vapor solvente.

⚠ ATENCIÓN • Si va a hacer una pausa durante el proceso de aplicación, no ponga de lado la pistola, sosténgala en algún lugar por el gancho para que quede en posición vertical.

Después de operar el equipo

⚠ ADVERTENCIA • Limpie perfectamente la pistola para eliminar cualquier residuo de producto al terminar el trabajo. Las acumulaciones pueden estropear la pistola e invalidar la garantía.



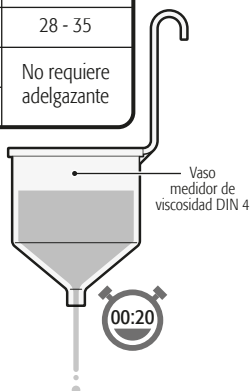
- Para obtener un buen trabajo es importante que prepare la superficie a rociar y adelgace la pintura o producto para que obtenga la viscosidad correcta antes de su aplicación.
- Confirme siempre que la superficie a rociar esté libre de polvo, suciedad y grasa.
- Asegúrese de cubrir las áreas que no requiera rociar con cinta adhesiva, periódico y/o plástico.
- La pintura o producto a rociar debe removerse antes de llenar el vaso para evitar asentamientos y debe estar libre de grumos u otras partículas.
- Revise siempre las recomendaciones del fabricante del producto antes de comprarlo.

Adelgazamiento del material

- La mayoría de las pinturas se venden listas para su aplicación con brocha y necesitan ser adelgazadas antes de ser adecuadas para su aplicación con pistola. Siga las instrucciones del fabricante del producto para adelgazarlo adecuadamente.
- Se recomienda agregar un diluyente del 5 % al 10 % hasta alcanzar la viscosidad adecuada para aplicar el material.
- Utilice un vaso medidor de viscosidad din 4 (no incluido) para determinar la viscosidad correcta de la pintura. La viscosidad se determina contando los segundos que tarda el material en ser descargado del vaso medidor. La siguiente tabla muestra los tiempos recomendados para diferentes productos.

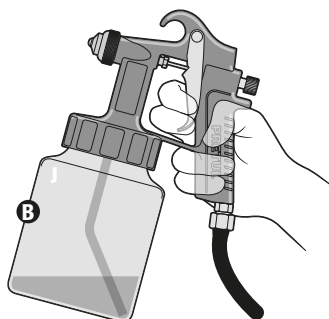
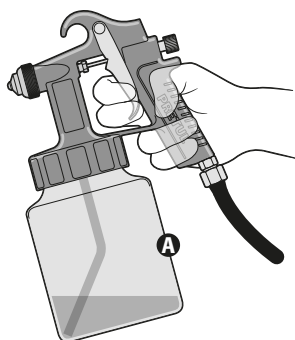
Producto	Segundos de descarga
Pintura con base de agua	20 - 25
Primer	24 - 28
Barnices	20 - 25
Pinturas con base de aceite	18 - 22
Pinturas de esmalte	18 - 22
Pinturas de aluminio	22 - 25
Sellador automotriz	25 - 35
Sellador para madera	28 - 35
Preservador de madera	No requiere adelgazante
Tinta para madera	No requiere adelgazante

- Si después de adelgazar el producto la capacidad de dispersión es muy baja añada más diluyente del 5 % al 10 % poco a poco hasta que la capacidad de dispersión cumpla con sus necesidades.
- Si la pintura es demasiado espesa, la superficie pintada quedará rugosa (piel de naranja). Si la pintura es demasiado fluida, existe el riesgo de que chorree.



Llenado del vaso

- Desatornille el vaso de la pistola para pintura.
- Alinee el tubo de succión dependiendo del trabajo a realizar:
Para rociar objetos horizontales coloque el tubo de succión hacia adelante (**A**).
Para rociar superficies por encima de la cabeza coloque el tubo de succión hacia atrás (**B**).
- Coloque el vaso sobre una pieza de papel periódico. Vierta el material de recubrimiento preparado y atornille firmemente el vaso en la pistola para pintar.



Selector de volumen de material

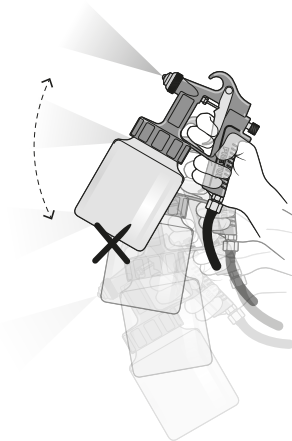
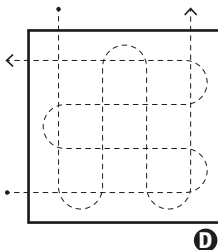
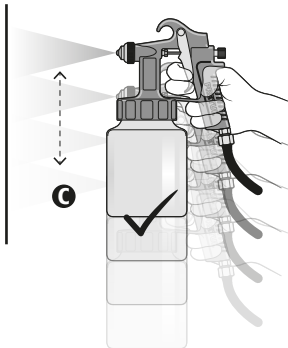
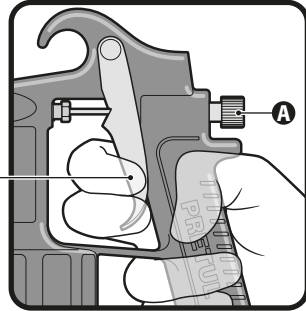
- Gire el tornillo de ajuste (**A**) en sentido contrario a las manecillas del reloj para aumentar el volumen de material a rociar.
- Gire el tornillo de ajuste en sentido de las manecillas del reloj para disminuir el volumen de material a rociar.

Encendido

- Encienda el compresor.
- Presione el gatillo (**B**) para abrir el flujo de aire y comience a succionar el producto del vaso. Apunte la pistola hacia un pedazo de cartón hasta que salga el rocío del producto.
- Suelte el gatillo para detener el flujo de rocío.

Técnicas de rociado

- Para obtener un buen resultado mantenga siempre la pistola nivelada y paralela a la superficie (**C**). Mantenga la boquilla a 25 cm - 30 cm de la superficie y rocíe de manera pareja de un lado al otro y de arriba hacia abajo. No rocíe en ángulo, de lo contrario la pintura podría correrse por la superficie. Dé pasadas suaves y uniformes. Cuando rocíe áreas grandes, utilice un patrón cruzado (**D**).
- Desplace la pistola a una velocidad constante y uniforme. Los movimientos rápidos producen capas delgadas y los movimientos lentos producen capas gruesas.
- Aplique una capa a la vez. En caso de requerir otra capa vea las recomendaciones de secado del fabricante del producto antes de aplicar una segunda capa. Recuerde que para un mejor acabado, aplicar dos capas delgadas siempre es mejor que aplicar sólo una capa gruesa.
- Cuando rocíe áreas pequeñas gire el tornillo de ajuste para disminuir el volumen de material a aplicar. Con esto se evita utilizar demasiada pintura y previene sobre rociar.
- Siempre que sea posible evite hacer pausas durante el rociado de un objeto. Para asegurar una aplicación uniforme.
- No incline la pistola para pintura en un ángulo mayor a 45°.



Limpeza y cuidados

• Es muy importante limpiar la pistola por completo después de cada uso.

⚠ ADVERTENCIA Una limpieza inadecuada a la larga dará como resultado un mal funcionamiento e invalidará la garantía.

• Gire el vaso para retirarlo de la pistola. Sin retirar el vaso por completo presione el gatillo para que retire todo el producto del interior del sistema (A).

• Vacíe el material sobrante del vaso en un contenedor adecuado.

• Desconecte la manguera de la pistola.

• Limpie el vaso, el empaque y el tubo de succión por completo con un trapo empapado en solvente adecuado para el producto que haya utilizado.

• Desmonte el regulador, el aspensor, la boquilla y la aguja para limpiarlos con un cepillo y solvente.

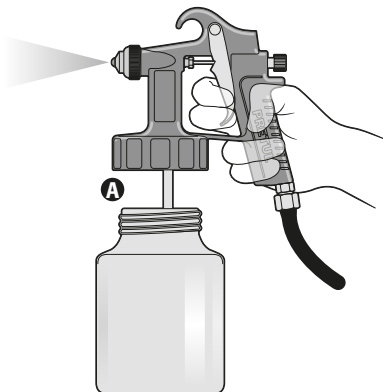
• Limpie el cuerpo de la pistola con un trapo humedecido con solvente.

⚠ ATENCIÓN No sumerja la pistola en solvente o los empaques podrían dañarse.

• Una vez que las piezas estén limpias arme de nuevo la pistola.

• Vierta un poco del solvente en el vaso. Conecte la manguera a la pistola.

• Encienda el compresor y rocíe en un contenedor hasta que salga solvente limpio por la boquilla.

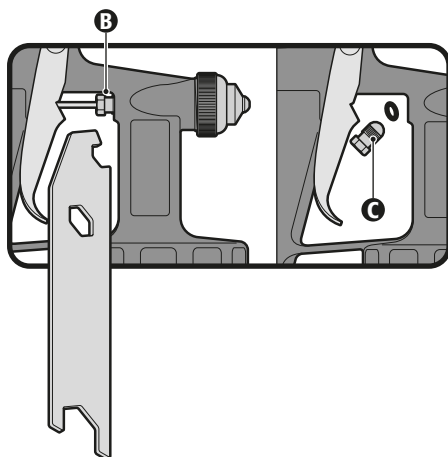


Sello de la aguja

• Tenga especial cuidado con el ajuste del sello de la aguja. Es importante para un buen trabajo.

• Ajuste el sello de la aguja con ayuda de una llave, no incluida (B).

• Revise el sello periódicamente para asegurarse que no presente daños, para tener acceso al sello retire la aguja y remueva la pieza opresora del sello (C).



Problema

Causa

Solución

La pintura gotea por la boquilla.

- Boquilla sucia u obstruida.
- Boquilla dañada.

- Limpie la boquilla.
- Reemplace la boquilla.

Fuga de pintura por el sello de la aguja.
La pintura se adhiere a la aguja.

- Sello de la aguja muy apretado o dañado.
- Falta el sello de la aguja.

- Apriete o reemplace el sello de la aguja (consulte la página 8).
- Coloque un sello para la aguja (consulte la página 8).

Patrón de rocío en abanico incorrecto.

- Boquilla sucia u obstruida.
- Boquilla dañada.
- Orificios de aire obstruidos.

- Limpie la boquilla.
- Reemplace la boquilla.
- Limpie el regulador, aspensor, boquilla, aguja, tubo de succión, ductos de pintura y aire.



Patrones de rocío incorrectos



Patrón de rocío correcto

El rocío es inconsistente.

- El vaso tiene muy poca pintura.
- Boquillas mal apretadas o dañadas.
- Sello de la aguja flojo o dañado.

- Llene el vaso con pintura.
- Apriete o reemplace las boquillas.
- Apriete o reemplace el sello de la aguja.

Ebullición en el depósito de pintura.

- Boquillas mal apretadas o dañadas.
- Filtro sucio u obstruido.
- Vaso mal apretado o empaque del vaso dañado.

- Apriete o reemplace las boquillas.
- Limpie el filtro o reemplácelo.
- Apriete el vaso. Reemplace el empaque en caso de estar dañado.

Area with horizontal dotted lines for notes.

Importado por **Truper, S.A. de C.V.**
Parque Industrial 1, Parque Industrial Jilotepec,
Jilotepec, Edo. de Méx. C.P. 54257. Hecho en China.
Tel.: 76 1782 9100. www.truper.com
11-2021

