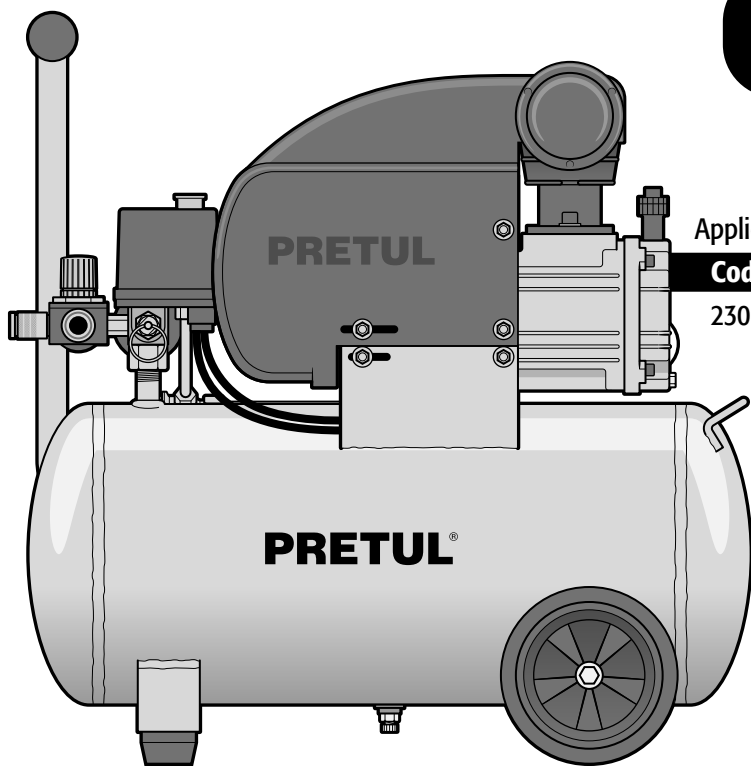


Manual

Lubricated air compressor

116 PSI

Pressure



Applies for:

Code

Model

23065



COMP-20LP

COMP-20LP



Read this manual thoroughly
before using the tool.



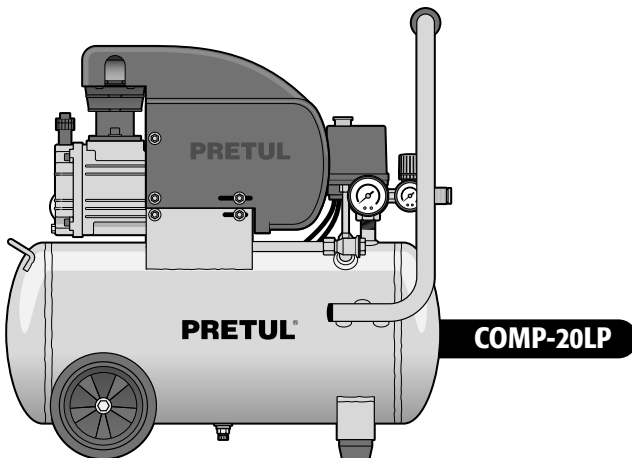
| | |
|--|-----------|
| Technical Data | 3 |
| Power Requirements | 3 |
|  General Power Tools Safety Warnings | 4 |
|  Safety Warnings for Pneumatic Compressors | 5 |
| Parts | 6 |
| Preparation | 7 |
| Start Up | 8 |
| Maintenance | 9 |
| Troubleshooting | 10 |
| Authorized Service Centers | 11 |
| Warranty Policy | 12 |

CAUTION

To gain the best performance of the tool, prolong the duty life, make the Warranty valid if necessary, and to avoid hazards of fatal injuries please read and understand this Manual before using the tool.

Keep this manual for future references.


The illustrations in this manual are for reference only. They might be different from the real tool.



COMP-20LP

| | |
|-------------------------|--|
| Code • | 23065 |
| Description • | Lubricated air compressor |
| Voltage • | 127 V~ |
| Frequency • | 60 Hz |
| Power • | Rated: 1-1/2 Hp Maximum: 2-1/2 Hp |
| Max. Working Pressure • | 116 PSI |
| Air Continuous Flow • | 4.2 CFM - 40 PSI 3.2 CFM - 90 PSI |
| Tank Capacity • | 5.2 gal |
| Conductors • | 16 AWG x 3C with 221 °F Insulation Temperature |
| Insulation • | Class I |

Power cord grips used in this product: Type "Y".
Build quality: Basic insulation
Thermal insulation on motor winding: Class F

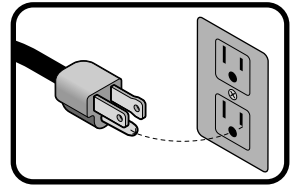
⚠ WARNING Avoid the risk of electric shock or severe injury. When the power cable gets damaged it should only be replaced by the manufacturer or at a  **TRUPER®** Authorized Service Center. The build quality of the electric insulation is altered if spills or liquid gets into the tool while in use. Do not expose to rain, liquids and/or dampness.

⚠ WARNING Before gaining access to the terminals all power sources should be disconnected.



Power Requirements

⚠ WARNING If faults or breakdowns happen. Ground connection offers a trajectory with minimum resistance for electric power. It reduces the risk of electric shock. This tool is built with a power cable with an earth conductor and ground connection. The plug shall be connected into a power outlet installed and grounded according to all local codes.



⚠ CAUTION A power extension cord is not recommended to use with a compressor. Using an extension causes voltage drop, power loss in the motor and overheating. Instead of using an extension cord, increase the compressor's action scope connecting a longer length of hose into the outlet. Connect additional hose lengths as required. Likewise, if needing to use a pneumatic tool outdoors in humid environment or even when raining, operate the compressor from the inside keeping it guarded from humidity. Operate the pneumatic tool connected to the compressor through additional lengths of hose without the risk of electric shock.

• In the event of connecting the compressor into a circuit protected with fuses, use delay action fuses type "D".



⚠ WARNING ⚠

This tool **SHALL BE USED** with 115 V - to 127 V-feed. Using a **DIFFERENT VOLTAGE WILL SEVERELY DAMAGE** the product.





⚠ WARNING! Read carefully all safety warnings and instructions listed below. Failure to comply with any of these warnings may result in electric shock, fire and / or severe damage. **Save all warnings and instructions for future references.**

Work area

Keep your work area clean, and well lit.

Cluttered and dark areas may cause accidents.



Never use the tool in explosive atmospheres, such as in the presence of flammable liquids, gases or dust.

Sparks generated by power tools may ignite the flammable material.



Keep children and bystanders at a safe distance while operating the tool.

Distractions may cause losing control.



Electrical Safety

The tool plug must match the power outlet. Never modify the plug in any way. Do not use any adapter plugs with grounded power tools.

Modified plugs and different power outlets increase the risk of electric shock.



Avoid direct contact with grounded surfaces, such as pipes, radiators, electric ranges and refrigerators.

The risk of electric shock increases if your body is grounded.

Do not expose the tool to rain or wet conditions.

Water entering into the tool increases the risk of electric shock.

Do not force the cord. Never use the cord to carry, lift or unplug the tool. Keep the cord away from heat, oil, sharp edges or moving parts.

Damaged or entangled cords increase the risk of electric shock.

When operating a tool outdoors, use an extension cord suitable for outdoor use.

Using an adequate outdoor extension cord reduces the risk of electric shock.

If operating the tool in a damp location cannot be avoided, use a ground fault circuit interrupter (GFCI) protected supply.

Using a GFCI reduces the risk of electric shock.

Personal safety

Stay alert, watch what you are doing and use common sense when operating a tool. Do not use a power tool while you are tired or under the influence of drugs, alcohol or medication.

A moment of distraction while operating the tool may result in personal injury.

Use personal protective equipment. Always wear eye protection.

Protective equipment such as safety glasses, anti-dust mask, non-skid shoes, hard hats and hearing protection used in the right conditions significantly reduce personal injury.



Prevent unintentional starting up. Ensure the switch is in the "OFF" position before connecting into the power source and / or battery as well as when carrying the tool.

Transporting power tools with the finger on the switch or connecting power tools with the switch in the "ON" position may cause accidents.

Remove any wrench or vice before turning the power tool on.

Wrenches or vices left attached to rotating parts of the tool may result in personal injury.

Do not overreach. Keep proper footing and balance at all times.

This enables a better control on the tool during unexpected situations.

Dress properly. Do not wear loose clothing or jewelry. Keep hair, clothes and gloves away from the moving parts.

Loose clothes or long hair may get caught in moving parts.



If you have dust extraction and recollection devices connected onto the tool, inspect their connections and use them correctly.

Using these devices reduce dust-related risks.

Power Tools Use and Care

Do not force the tool. Use the adequate tool for your application.

The correct tool delivers a better and safer job at the rate for which it was designed.



Do not use the tool if the switch is not working properly.

Any power tool that cannot be turned ON or OFF is dangerous and should be repaired before operating.

Disconnect the tool from the power source and / or battery before making any adjustments, changing accessories or storing.

These measures reduce the risk of accidentally starting the tool.

Store tools out of the reach of children. Do not allow persons that are not familiar with the tool or its instructions to operate the tool.

Power tools are dangerous in the hands of untrained users.



Service the tool. Check the mobile parts are not misaligned or stuck. There should not be broken parts or other conditions that may affect its operation. Repair any damage before using the tool.

Most accidents are caused due to poor maintenance to the tools.




Keep the cutting accessories sharp and clean.

Cutting accessories in good working conditions are less likely to bind and are easier to control.

Use the tool, components and accessories in accordance with these instructions and the projected way to use it for the type of tool when in adequate working conditions.

Using the tool for applications different from those it was designed for, could result in a hazardous situation.

Service

Repair the tool in a  TRUPER Authorized Service Center using only identical spare parts.

This will ensure that the safety of the power tool is maintained.

Children or people with reduced physical, sensory or mental capabilities shall not operate the tool, neither inexperienced people or without knowledge in the use of the tool, unless supervised by a person responsible of their safety or if receiving previous instructions about the tool operation.

Children shall be kept under supervision to double-check they will not play with the tool. Tight supervision shall be used with children or disabled persons to prevent from using or being close to any household tool.



Before using the compressor

⚠ CAUTION • The pressurestat produces sparks when working. If sparks make contact with gasoline vapors or other solvents they can ignite causing fire or explosion. Always operate the compressor in a properly ventilated area. Do not operate in closed spaces. Do not smoke while spraying. Do not spray in flammable environments. Keep the compressor as far away as possible from the spraying area.

⚠ CAUTION • Solvents like trichlorethane and methylene chloride can suffer a chemical reaction with the aluminum used in the spraying guns, paint pumps, etc., and can cause an explosion. If using these solvents use only stainless steel spraying materials. This will not affect the air compressor but can have an effect on the equipment being used.

⚠ DANGER • For no reason at all carry out soldering jobs in the air compressor tank. It creates an extremely dangerous condition. Carrying soldering jobs in the tank will void the warranty.

⚠ DANGER • Never use the compressor outdoors when raining or onto wet surfaces. An electric shock can strike.

⚠ CAUTION • Check the maximum pressure specified by the manufacturer for pneumatic tools and accessories. The compressor's output pressure shall be regulated so that will never exceed the maximum specified pressure.

- Save the labels and nameplates. On them there is important safety information. If the information on those labels cannot be read or is missing contact a **TRUPER** Authorized Service Center to get spares.

⚠ CAUTION • For no reason at all modify the pressurestat or the pressure release valve. Doing it makes the warranty void. Were adjusted in the factory to the maximum pressure for this unit.

⚠ CAUTION • Be sure you read all the labels in the paints or toxic materials you spray. Follow the safety instructions. Wear a breathing mask if there is any possibility to inhale the material being sprayed. Read the breathing mask instructions to double check it will provide the necessary protection.

⚠ CAUTION • Always wear safety glasses when using the air compressor.

- To allow an adequate cooling ventilation, the compressor shall be kept at a minimum 12" away from the nearest wall in a well-ventilated area.
- Environment temperature recommended to operate the compressor is from 32 °F a 95 °F



When using the compressor

⚠ CAUTION • Do not aim nozzles, sprayers or the air jet towards people or animals.

⚠ WARNING • Never inhale directly the compressed air produced by the air compressor. Is not suitable as breathing air.

⚠ WARNING • Do not adjust the regulator above the maximum pressure labeled in the accessory. Otherwise the compressor might burst.

- Operate the compressor in a leveled surface.
- Keep the compressor well ventilated. Do not cover it while in use.

⚠ CAUTION • The compressor gets hot while operating. Do not touch it or allow children get close while or immediately after is been used. Do not use it without the motor cover in place. Work as far away as possible from flammable objects or liquids.

- The air hose components may get hot while being used. Allow the components to cool down before disconnecting.
- Do not use the air hose to carry or move the compressor.
- Do not leave the compressor connected into the power supply when unattended for long periods of time. Disconnect the tool after using it.

- Using accessories not recommended by **TRUPER** can result in personal injuries.

- High temperatures are produced under the compressor cover and there are also parts in movement. To prevent burns or other kind of injuries do not operate with the cover removed from its place. Allow the compressor parts to cool down before handling or servicing.
- Do not release any connections when the tank is under pressure.

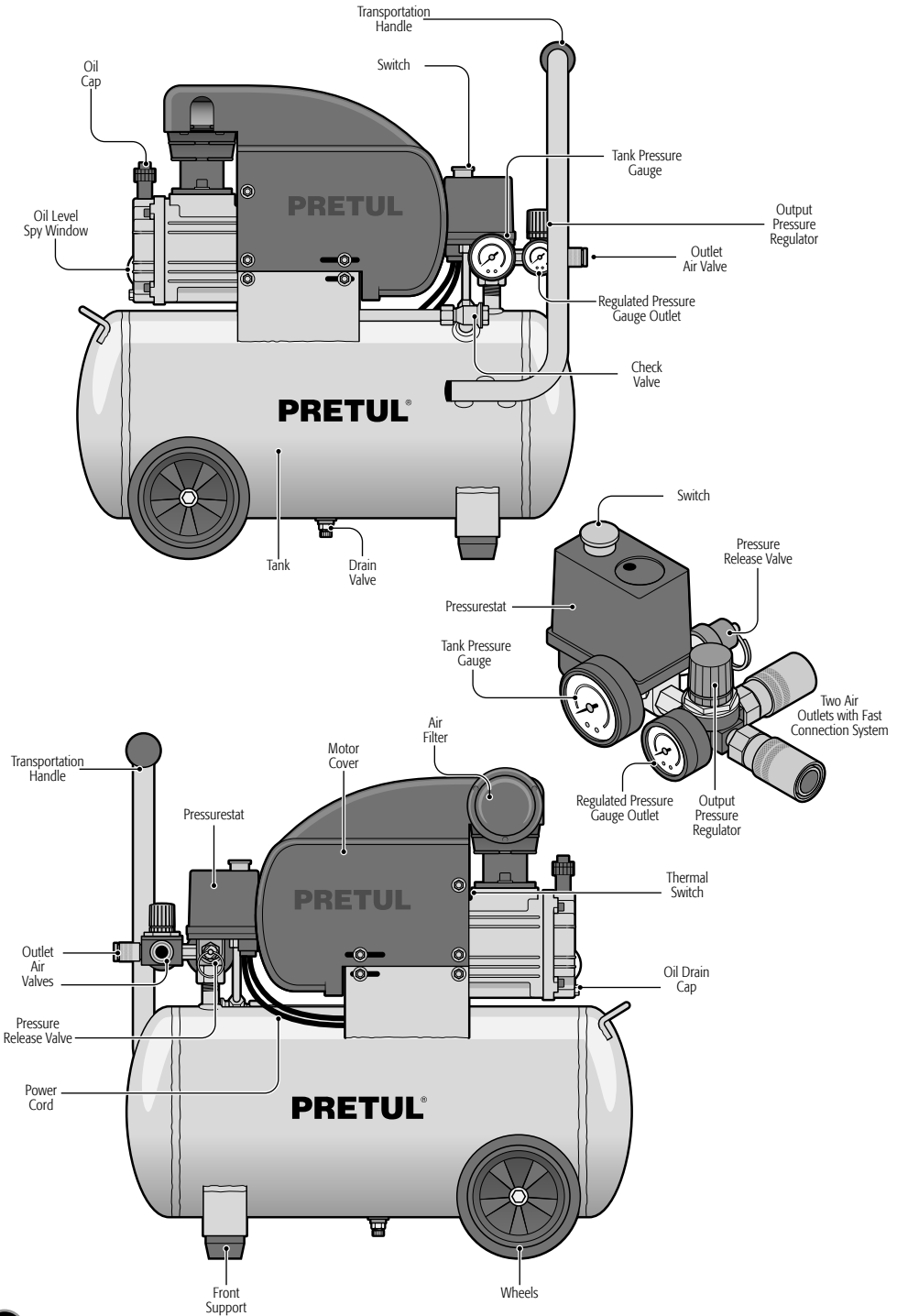
After using the compressor

- Keep in mind the compressor starts automatically. Always turn off the compressor. Remove the plug from the power outlet, purge and release all the pressure from the system before servicing the compressor and when it is not in use.

- Drain humidity from the tank often. A dry and clean tank will help against corrosion.

- Pull the pressure release valve ring daily to ensure the valve works properly and to remove any obstruction.
- If transporting the compressor fasten it correctly. Release the tank pressure before carrying.
- Protect the air hose and power cable from damage or punctures. Inspect weekly to detect any weak or worn out points. Replace if necessary.

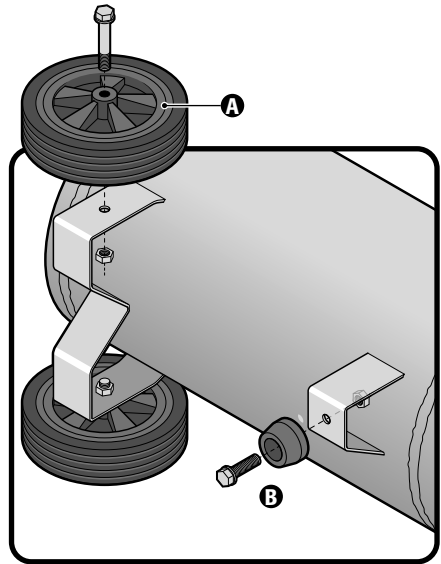
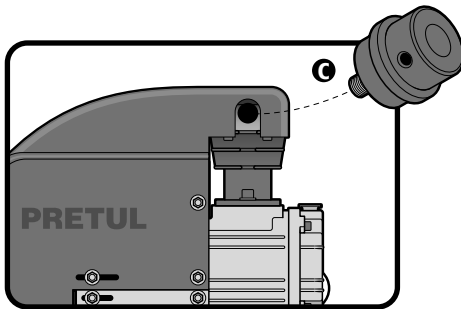




- The air compressor is used to supply energy to pneumatic tools as versatile as power tools are. The tools can be used to drill, screw, hammer, rivet, staple, chisel, polish, blowtorching, cleaning, painting, inflate tires or inflatable items, apply paint or varnish and maintain other tools.
- The compressor functions are completely automatic and controlled with the pressurestat. It stops the motor when the tank's pressure has reached the maximum level. It starts again when the level goes down to a level lower to 80 PSI.
- The compressor shall be connected into an outlet protected with an adequate differential switch (thermal-magnetic).

Assembly

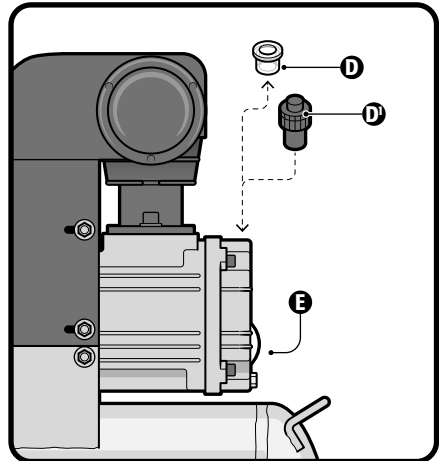
- Carefully lay down the compressor onto a flat, leveled and solid surface to assemble the wheels (A) and the front supports (B) with their screws and hex nuts as shown in the illustration.
- Set the compressor up and screw on the air filter (C) on one side of the carter as indicated in the illustration.



Oil

- CAUTION** • Remove the transport cap (D) and use the work cap with an orifice (D¹) included.
- Verify the oil level spy window (E). If the level is not encompassing the medium point (red circle), remove the tank cap (D¹) Fill up the deposit with lubricating oil SAE-10W30 for compressors. Reach the indicated level.

- CAUTION** • Check oil level before each use.
- Before you start working turn on let the compressor a couple of minutes with the air valve totally open to allow the correct distribution of the lubricant.



Switch ON and OFF

- Before operating the compressor set it onto a flat, leveled and solid surface, well ventilated and away from flammable objects like curtains, etc. Leave 12" free space at least around the compressor to allow air circulation.
- Connect the plug into the power outlet. Double check the cable is not an obstacle and a tripping hazard or get damaged.
- Lift the switch **(E)** to turn ON the compressor. The motor will start and fill the tank up to the maximum pressure. Then, it will shut OFF automatically. While the compressor is in use and in order to keep, the constant pressure indicated in the right gauge **(F)** will start again when the pressurestat detects diminished pressure.
- To turn OFF the compressor press the switch. Then, release the air remaining in the tank pulling the pressure release valve ring **(G)**.

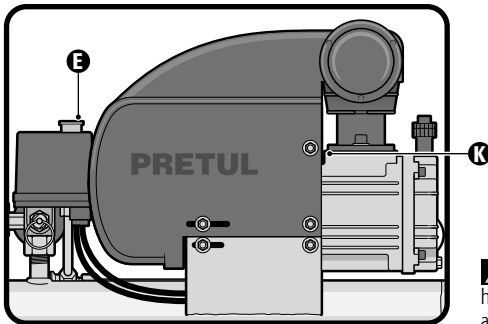
⚠ CAUTION • Never disconnect the compressor from the power supply to turn it OFF. If the power supply is accidentally cut do not forget pressing the switch to correctly turn OFF the compressor.

Thermal Switch

- The compressor is built with a thermal switch **(K)** that prevents the motor from excessively overheating. The motor turns OFF when the switch is activated. To restore the motor, follow these steps:

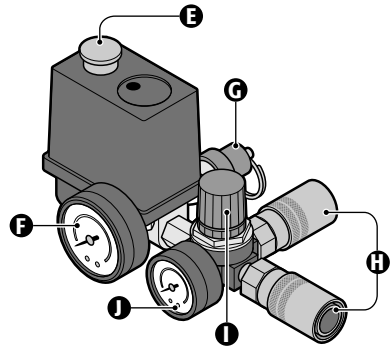
- 1.- Press the switch **(E)** to make sure the compressor is off.
- 2.- Let the compressor cool for at least 5 minutes
- 3.- Press the thermal switch **(K)** located on the side of the crankcase.
4. Lift the switch **(E)** to turn on the compressor.

Note: If the unit shuts down again, please contact an **TRUPER** Authorized Service Center.



Operation

- Connect one end of the air hose into any of the compressors outlets **(H)**.
- Connect the other end of the air hose to the pneumatic tool outlet (not included). Double check the connections match.
- Adjust the outlet pressure with the pressure regulator **(I)**. Turn the knob to the right to increase the outlet pressure. Turn to the left to lower until reaching the desired pressure indicated in the left gauge **(J)**.
- ⚠ CAUTION** • Pressure adjustment shall be carried out with the outlet valve open.
- After connecting the compressor to the air line, make it run loaded into the maximum pressure. Double check it works properly.
- Double check there are no leaks in the air line. Turn OFF the compressor to repair any leak detected.



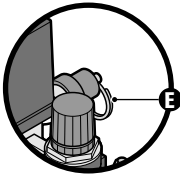
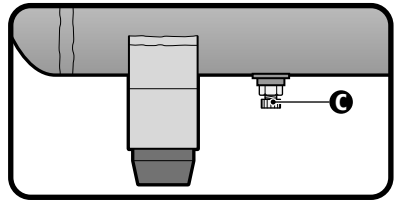
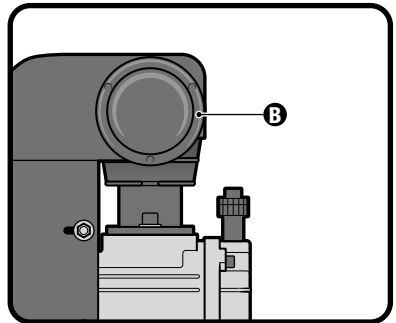
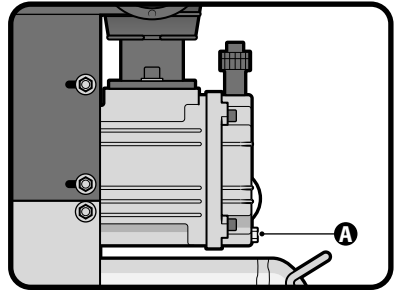
⚠ CAUTION • The motor and its cover may reach very high temperatures. When working with the compressor avoid touching that zone to prevent burns.

Oil Change

- After the first 5 hours' operation change oil. Remove the drain cap (A). Set the cap back and fill-up with oil as indicated in page 7 (Oil). The later oil changes shall be carried out every 150 hours' work.

Cleaning and Care

- Always keep the ventilation slots clean and free of obstruction to guarantee the proper motor cooling.
- Inspect regularly all the mounting screws and double check the screws are tight. If any of the screws is loose tighten immediately.
- Once a week clean inside the air filter (B) using compressed air.
- After 50 hours use replace the filter.
- After working the compressor 16 hours open the drain valve (C) to eliminate condensation water stored inside the tank.
- After each use disconnect the compressor and release air pressure from the tank. Pull the pressure release valve ring (E).



Service

- Any other type of service or repairs in the compressor shall only be carried out in a **TRUPER®** Authorized Service Center. Service and maintenance carried out by non-qualified people may turn dangerous and cause severe personal injuries and makes the Warranty void.


Problem

Cause

Solution



The motor is not working.

- No power.
- Fuse is blown .
- Thermal fuse is activated.
- Pressurestat is faulty .

- Be sure the cable is connected. Check the fuse-circuit switch.
- Replace the blown fuse.
- Press the thermal switch button to restart.
- Go to a  **TRUPER®** Authorized Service Center.


The motor is buzzing but is not running or runs slowly.

- Tension Drop.
- Motor winding in short or open.
- Check valve or faulty pressurestat.
- Compressed air in the cylinder.

- Check with a voltmeter. Minimum tension shall be 115 V~
- Go to a  **TRUPER®** Authorized Service Center.
- Go to a  **TRUPER®** Authorized Service Center.
- Press the switch 15 seconds into the OFF position. Then, lift to the ON position .

Fuses blow up. The circuit switch is triggered repeatedly.

- Wrong fuse capacity, overloaded circuit.
- Fault in the check valve or pressurestat.

- Check the right fuse is being used. Use a time delay fuse. Disconnect other devices using the same circuit or operate the compressor using an independent circuit.
- Go to a  **TRUPER®** Authorized Service Center.

Thermal overload protection causes interruptions repeatedly.

- Tension drop.
- Clogged air filter.
- Lack of adequate ventilation.
- Environment temperature is too high.

- Check with a voltmeter. Minimum tension shall be 115 V~
- Clean the air filter.
- Move the compressor to an area with adequate ventilation.
- Move the compressor to an area with adequate temperature.

Pressure in the tank drops when the motor stops.

- Loose connections (couplings, pipes, etc.).
- Purge tap is open.
- Check valve leaks.

- Check to detect air leaks. Use sealant tape in all the leaky connections.
- Tighten the purge key.
- Disassemble the check valve. Clean or replace.

⚠ DANGER DO NOT DISASSEMBLE THE CHECK VALVE WITH AIR IN THE TANK. PURGE THE TANK FIRST TO RELEASE ALL THE PRESSURE.


Excessive humidity in the discharge air.

- Excessive water in the tank.
- High humidity.
- Clogged entry filter .

- Drain the tank opening the drain valve.
- Move the compressor to an area with less humidity. Use a filter in the air pipes.
- Clean or replace filter.

The motor runs continuously without stopping.

- Faulty pressurestat.
- Excessive air use.

- Go to a  **TRUPER®** Authorized Service Center to replace the pressurestat.
- The compressor is not big enough to satisfy the CFM of the pneumatic tool requirements being used.

The compressor vibrates.

- Loose mounting bolts.
- The tank rubber bases are not installed or are worn.

- Tighten all the bolts and screws.
- Install or replace the rubber bases.

Air output lower to normal.


- The purge tap is open.
- Admission filter is dirty.
- Leak in a connection.

- Tighten the purge tap.
- Clean or replace the admission filter.
- Tighten the connections. Check to detect air leaks. Use sealant tape in all the leaky connections. Replace the damaged or broken hoses.

In the event of any problem contacting a Truper Authorized Service Center, please see our webpage www.truper.com to get an updated list, or call our toll-free numbers **800 690-6990** or **800 0187-8737** to get information about the nearest Service Center.

- AGUASCALIENTES** **DE TODO PARA LA CONSTRUCCIÓN**
GRAL. BARRAGÁN #1201, COL. GREMIAL, C.P. 20030,
AGUASCALIENTES, AGS. TEL.: 449 994 0537
- BAJA CALIFORNIA** **SUCURSAL TIJUANA**
AV. LA ENCANTADA, LOTE #5, PARQUE INDUSTRIAL EL
FLORIDO II, C.P. 22244, TIJUANA, B.C.
TEL.: 664 969 5100
- BAJA CALIFORNIA SUR** **FIX FERRETERÍAS**
FELIPE ÁNGELES ESQ. RUIZ CORTÍNEZ S/N, COL. PUEBLO
NUEVO, C.P. 23670, CD. CONSTITUCIÓN, B.C.S.
TEL.: 613 132 1115
- CAMPECHE** **TORNILLERÍA Y FERRETERÍA AAA**
AV. ALVARO OBREGÓN #324, COL. ESPERANZA
C.P. 24080 CAMPECHE, CAMP. TEL.: 981 815 2808
- CHIAPAS** **FIX FERRETERÍAS**
AV. CENTRAL SUR #27, COL. CENTRO, C.P. 30700,
TAPACHULA, CHIS. TEL.: 962 118 4083
- CHIHUAHUA** **SUCURSAL CHIHUAHUA**
AV. SILVESTRE TERRAZAS #128-11, PARQUE INDUSTRIAL
BAFAR, CARRETERA MÉXICO CUAUHTÉMOC, C.P. 31415,
CHIHUAHUA, CHIH. TEL. 614 434 0052
- MEXICO CITY** **FIX FERRETERÍAS**
EL MONSTRUO DE CORREGIDORA, CORREGIDORA # 22,
COL. CENTRO, C.P. 06060, CUAUHTÉMOC, CDMX.
TEL: 55 5522 5031 / 5522 4861
- COAHUILA** **SUCURSAL TORREÓN**
CALLE METAL MECÁNICA #280, PARQUE INDUSTRIAL
ORIENTE, C.P. 27278, TORREÓN, COAH.
TEL.: 871 209 68 23
- COLIMA** **BOMBAS Y MOTORES BYMTESA DE MANZANILLO**
BLVD. MIGUEL DE LA MADRID #190, COL. 16 DE
SEPTIEMBRE, C.P. 28239, MANZANILLO, COL.
TEL.: 314 332 1986 / 332 8013
- DURANGO** **TORNILLOS ÁGUILA, S.A. DE C.V.**
MAZURIO #200, COL. LUIS ECHEVERRÍA, DURANGO,
DGO.TEL.: 618 817 1946 / 618 818 2844
- ESTADO DE MÉXICO** **SUCURSAL CENTRO JILOTEPEC**
AV. PARQUE INDUSTRIAL #1-A, C.P. 54240, JILOTEPEC,
EDO. DE MÉX. TEL: 761 782 9101 EXT. 5728 Y 5102
- GUANAJUATO** **CIÁ. FERRETERA NUEVO MUNDO S.A. DE C.V.**
AV. MÉXICO - JAPÓN #225, CD. INDUSTRIAL, C.P. 38010,
CELAYA, GTO. TEL.: 461 617 7578 / 79 / 80 / 88
- GUERRERO** **CENTRO DE SERVICIO ECLIPSE**
CALLE PRINCIPAL MZ.1 LT. 1, COL. SANTA FE, C.P. 39010,
CHILPANCINGO, GRO. TEL.: 747 478 5793
- HIDALGO** **FERREPRECIOS S.A. DE C.V.**
LIBERTAD ORIENTE #304 LOCAL 30, INTERIOR DE PASAJE
ROBLEDO, COL. CENTRO, C.P. 43600, TULANCINGO,
HGO. TEL.: 775 753 6615 / 775 753 6616
- JALISCO** **SUCURSAL GUADALAJARA**
AV. ADOLFO B. HORN # 6800, COL. SANTA CRUZ DEL
VALLE, C.P.: 45655, TLAJOMULCO DE ZUNIGA, JAL.
TEL.: 33 5606 5285 AL 90
- MICHOACÁN** **FIX FERRETERÍAS**
AV. PASEO DE LA REPÚBLICA #3140-A, COL.
EX-HACIENDA DE LA HUERTA, C.P. 58050, MORELIA,
MICH. TEL.: 443 334 6858
- MORELOS** **FIX FERRETERÍAS**
CAPITÁN ANZURES #95, ESQ. JOSÉ PERDIZ, COL.
CENTRO, C.P. 62740, CUAUTLA, MOR.
TEL.: 735 352 8931
- NAVARRIT** **HERRAMIENTAS DE TEPEC**
MAZATLAN #117, COL. CENTRO, C.P. 63000, TEPEC, NAV.
TEL.: 311 258 0540
- NUEVO LEÓN** **SUCURSAL MONTERREY**
CARRETERA LAREDO #300, 1B MONTERREY PARKS,
COLONIA PUERTA DE ANÁHUAC, C.P. 66052, ESCOBEDO,
NUEVO LEÓN, TEL.: 81 8352 8791 / 81 8352 8790
- OAXACA** **FIX FERRETERÍAS**
AV. 20 DE NOVIEMBRE #910, COL. CENTRO, C.P. 68300,
TUXTEPEC, OAX. TEL.: 287 106 3092
- PUEBLA** **SUCURSAL PUEBLA**
AV. PERIFÉRICO #2-A, SAN LORENZO ALMECATLA,
C.P. 72710, CUAUTLACINGO, PUE.
TEL.: 222 282 8282 / 84 / 85 / 86
- QUERÉTARO** **ARU HERRAMIENTAS S.A. DE C.V.**
AV. PUERTO DE VERACRUZ #110, COL. RANCHO DE
ENMEDIO, C.P. 76842, SAN JUAN DEL RÍO, QRO.
TEL.: 427 268 4544
- QUINTANA ROO** **FIX FERRETERÍAS**
CARRETERA FEDERAL MZ. 46 LT. 3 LOCAL 2, COL EJIDAL,
C.P. 77710 PLAYA DEL CARMEN, Q.R.
TEL.: 984 267 3140
- SAN LUIS POTOSÍ** **FIX FERRETERÍAS**
AV. UNIVERSIDAD #1850, COL. EL PASEO, C.P. 78320,
SAN LUIS POTOSÍ, S.L.P. TEL.: 444 822 4341
- SINALOA** **SUCURSAL CULIACÁN**
AV. JESÚS KUMATE SUR #4301, COL. HACIENDA DE LA
MORA, C.P. 80143, CULIACÁN, SIN.
TEL.: 667 173 9139 / 173 8400
- SONORA** **FIX FERRETERÍAS**
CALLE 5 DE FEBRERO #517, SUR LT. 25 MZ. 10, COL.
CENTRO, C.P. 85000, CD. OBREGÓN, SON.
TEL.: 644 415 2392
- TABASCO** **SUCURSAL VILLAHERMOSA**
CALLE HELIO LOTES 1, 2 Y 3 MZ. #1, COL. INDUSTRIAL,
2A ETAPA, C.P. 86010, VILLAHERMOSA, TAB.
TEL.: 993 353 7244
- TAMAULIPAS** **VM ORINGS Y REFACCIONES**
CALLE ROSITA #527 ENTRE 20 DE NOVIEMBRE Y GRAL.
RODRÍGUEZ, FRACC. REYNOSA, C.P. 88780, REYNOSA,
TAMS. TEL.: 899 926 7552
- TLAXCALA** **SERVICIOS Y HERRAMIENTAS INDUSTRIALES**
PABLO SIDAR #132, COL. BARRIO DE SAN BARTOLOMÉ,
C.P. 90970, SAN PABLO DEL MONTE, TLAX.
TEL.: 222 271 7502
- VERACRUZ** **LA CASA DISTRIBUIDORA TRUPER**
BLVD. PRIMAVERA ESQ. HORTENSIA S/N, COL.
PRIMAVERA C.P. 93308, POZA RICA, VER.
TEL.: 782 823 8100 / 826 8484
- YUCATÁN** **SUCURSAL MÉRIDA**
CALLE 33 #600 Y 602, LOCALIDAD ITZINCAB Y Mulsay,
MUJO. UPMÁN, C.P. 97390, MÉRIDA, YUC.
TEL.: 999 912 2451

| Code | Model | Brand |
|-------------|--------------|----------------|
| 23065 | COMP-20LP | PRETUL® |

This product is guaranteed for 1 year. To make the warranty valid or purchase parts and components you must present the product in Corregidora 22, Col. Centro, Alc. Cuauhtémoc, CDMX C.P. 06060 or at the establishment where you purchased it, or at any Truper® Service Center listed in the annex to the warranty policy and/or in www.truper.com. Transportation costs resulting from compliance of this warranty will be covered by  **TRUPER®**

For questions or comments, call **800-690-6990**. Made in China. Imported by Truper S.A. de C.V. Parque Industrial 1, Jilotepec, Edo. de Méx. C.P. 54240

Stamp of the business. Purchase date:

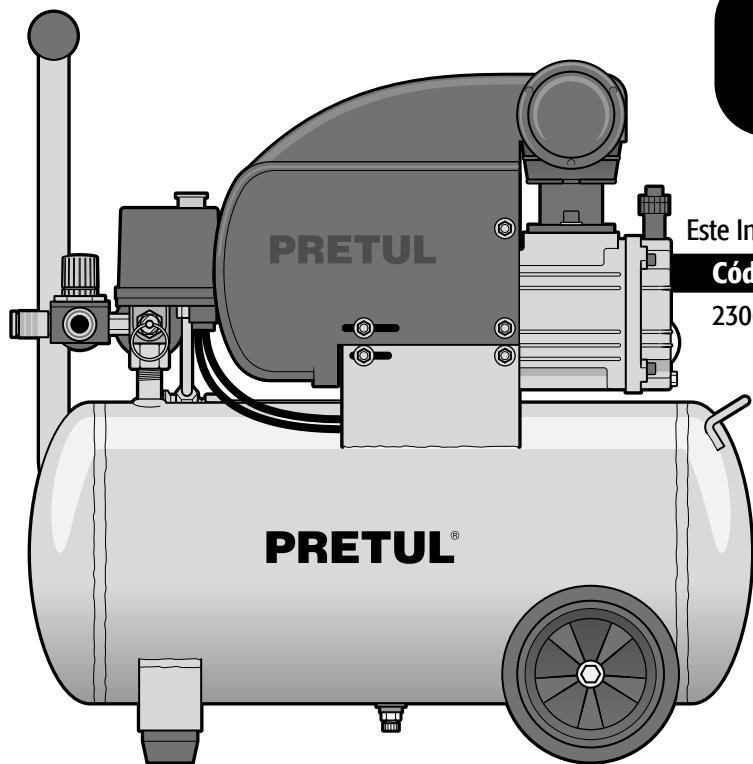


1
YEAR

Instructivo de

Compresor de aire lubricado

800 kPa
(116 PSI)
Presión



Este Instructivo es para:

| Código | Modelo |
|--------|-----------|
| 23065 | COMP-20LP |

COMP-20LP

⚠ ATENCIÓN



Lea este Instructivo por completo
antes de usar la herramienta.



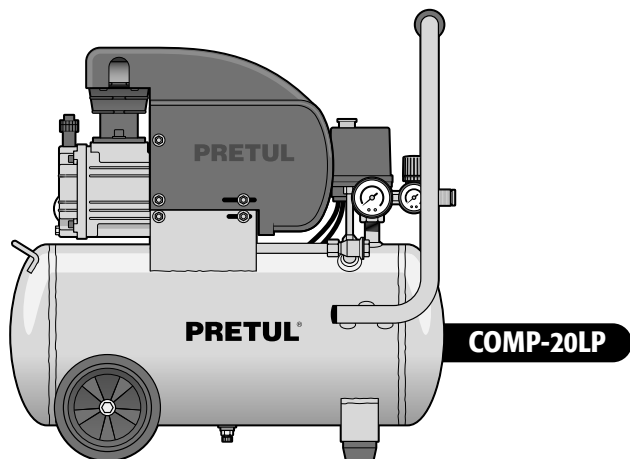
| | |
|---|-----------|
| Especificaciones técnicas | 3 |
| Requerimientos eléctricos | 3 |
|  Advertencias generales de seguridad para herramientas eléctricas | 4 |
|  Advertencias de Seguridad para uso de compresores neumáticos | 5 |
| Partes | 6 |
| Preparación | 7 |
| Puesta en marcha | 8 |
| Mantenimiento | 9 |
| Solución de problemas | 10 |
| Centros de Servicio Autorizados | 11 |
| Póliza de Garantía | 12 |

ATENCIÓN

Para poder sacar el máximo provecho de la herramienta, alargar su vida útil, hacer válida la garantía en caso de ser necesario y evitar riesgos o lesiones graves, es fundamental leer este Instructivo por completo antes de usar la herramienta.

Guarde este Instructivo para futuras referencias.

Los gráficos de este Instructivo son para referencia, pueden variar del aspecto real de la herramienta.



COMP-20LP

| | |
|---------------------------|---|
| Código • | 23065 |
| Descripción • | Compresor de aire lubricado |
| Tensión • | 127 V~ |
| Frecuencia • | 60 Hz |
| Potencia del motor • | Nominal: 1 125 W Máxima: 1 875 W |
| Presión máx. de trabajo • | 800 kPa (116 PSI) |
| Flujo continuo de aire • | 119 L/min (4.2 CFM) - 276 kPa (40 PSI) 90.6 L/min (3.2 CFM) - 620 kPa (90 PSI) |
| Capacidad del tanque • | 20 litros |
| Conductores • | 16 AWG x 3C con temperatura de aislamiento de 105 °C |
| Aislamiento • | Clase I |

El cable de alimentación tiene sujeta-cables tipo: Y
La clase de construcción de la herramienta es: Aislamiento básico.
La clase de aislamiento térmico de los devanados del motor: Clase F

⚠ ADVERTENCIA Si el cable de alimentación se daña, éste debe ser reemplazado por el fabricante o Centro de Servicio Autorizado **TRUPER**, con el fin de evitar algún riesgo de descarga o accidente considerable.

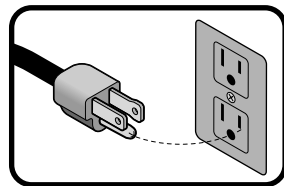
La construcción del aislamiento eléctrico de esta herramienta es alterado por salpicaduras o derramamiento de líquidos durante su operación. No la exponga a la lluvia, líquidos y/o humedad.



⚠ ADVERTENCIA Antes de obtener acceso a las terminales, todos los circuitos de alimentación deben ser desconectados.

Requerimientos eléctricos

⚠ ADVERTENCIA En el caso de fallas o averías, la conexión a tierra provee una trayectoria con resistencia mínima para la corriente eléctrica, lo que reduce el riesgo de sufrir una descarga eléctrica. Esta herramienta está equipada con un cable eléctrico que tiene un conductor a tierra y una clavija con conexión a tierra. La clavija debe estar conectada a una entrada que se encuentre instalada y aterrizada de acuerdo con todos los códigos locales.



⚠ ATENCIÓN No se recomienda el uso de extensiones eléctricas para compresores. Su uso provoca caída de tensión, pérdida de potencia en el motor y sobrecalentamiento. En lugar de utilizar una extensión, aumente el alcance de acción de la compresora conectándole una manguera de mayor longitud a la salida. Conecte tramos de manguera adicionales conforme lo requiera. De la misma forma, en caso de que requiera utilizar una herramienta neumática en exteriores con ambientes húmedos o incluso lluvia, puede operar el compresor desde el interior resguardado de la humedad y operar la herramienta neumática conectada al compresor por los tramos de manguera adicionales sin riesgo de choque eléctrico.

• En caso de conectar el compresor a un circuito protegido con fusibles, use fusibles de acción retardada Tipo "D".



⚠ ADVERTENCIA ⚠

Este equipo
DEBE SER UTILIZADO
con una alimentación de
115 V- a 127 V-, utilizar una
TENSIÓN DIFERENTE DAÑA
SEVERAMENTE el producto.



⚠️ ¡ADVERTENCIA! Lea detenidamente todas las advertencias de seguridad y todas las instrucciones que se enlistan a continuación. La omisión de alguna de ellas puede dar como resultado un choque eléctrico, incendio y/o daño serio. **Conserve las advertencias y las instrucciones para futuras referencias.**

Área de trabajo

Mantenga el área de trabajo limpia y bien iluminada.

Las áreas desordenadas y oscuras son propensas a accidentes.



No maneje la herramienta en ambientes explosivos, como en presencia de líquido, gas o polvo inflamables.

Las herramientas eléctricas producen chispas que pueden encender material inflamable.



Mantenga alejados a los niños y curiosos cuando opere la herramienta.

Las distracciones pueden hacer que pierda el control.



Seguridad eléctrica

La clavija de la herramienta debe coincidir con el tomacorriente. Nunca modifique una clavija. No use ningún tipo de adaptador para clavijas de herramientas puestas a tierra.

Clavijas modificadas y enchufes diferentes aumentan el riesgo de choque eléctrico.



Evite el contacto del cuerpo con superficies puestas a tierra como tuberías, radiadores, cocinas eléctricas y refrigeradores.

Hay un mayor riesgo de choque eléctrico si el cuerpo está puesto a tierra.

No exponga la herramienta a la lluvia o condiciones de humedad.

El agua que ingresa en la herramienta aumenta el riesgo de choque eléctrico.

No fuerce el cable. Nunca use el cable para transportar, levantar o desconectar la herramienta. Mantenga el cable lejos del calor, aceite, orillas afiladas o piezas en movimiento.

Los cables dañados o enredados aumentan el riesgo de choque eléctrico.

Cuando maneje una herramienta en exteriores, use una extensión especial para uso en exteriores.

El uso de una extensión adecuada para exteriores reduce el riesgo de choque eléctrico.

Si el uso de la herramienta en un lugar húmedo es inevitable, use una alimentación protegida por un interruptor de circuito de falla a tierra (GFCI).

El uso de un GFCI reduce el riesgo de choque eléctrico.

Seguridad personal

Esté alerta, vigile lo que está haciendo y use el sentido común cuando maneje una herramienta. No la use si está cansado o bajo la influencia de drogas, alcohol o medicamentos.

Un momento de distracción mientras maneja la herramienta puede causar un daño personal.

Use equipo de seguridad. Use siempre protección para los ojos.

El uso de equipo de seguridad como lentes de seguridad, mascarilla antipolvo, zapatos antideslizantes, casco y protección para los oídos en condiciones apropiadas, reduce de manera significativa los daños personales.



Evite arranques accidentales. Asegúrese de que el interruptor está en posición "apagado" antes de conectar a la fuente de alimentación y/o a la batería o transportar la herramienta.

Transportar herramientas eléctricas con el dedo sobre el interruptor o conectar herramientas eléctricas que tienen el interruptor en posición de "encendido" puede causar accidentes.

Retire cualquier llave o herramienta de ajuste antes de arrancar la herramienta eléctrica.

Las llaves o herramientas que quedan en las partes rotativas de la herramienta pueden causar un daño personal.

No sobrepase su campo de acción. Mantenga ambos pies bien asentados sobre el suelo y conserve el equilibrio en todo momento.

Esto permite un mejor control de la herramienta en situaciones inesperadas.

Vista adecuadamente. No vista ropa suelta o joyas. Mantenga su pelo, su ropa y guantes alejados de las piezas en movimiento.

La ropa o el pelo sueltos o las joyas pueden quedar atrapados en las piezas en movimiento.



En caso de contar con dispositivos de extracción y recolección de polvo conectados a la herramienta, verifique sus conexiones y úselos correctamente.

El uso de estos dispositivos reduce los riesgos relacionados con el polvo.

Uso y cuidados de la herramienta

No fuerce la herramienta. Use la herramienta adecuada para el trabajo a realizar.

La herramienta adecuada hace un trabajo mejor y más seguro cuando se usa al ritmo para el que fue diseñada.



No use la herramienta si el interruptor no funciona.

Cualquier herramienta eléctrica que no pueda encenderse o apagarse es peligrosa y debe repararse antes de ser operada.

Desconecte la herramienta de la fuente de alimentación y/o de la batería antes de efectuar cualquier ajuste, cambiar accesorios o almacenarla.

Estas medidas reducen el riesgo de arrancar la herramienta accidentalmente.

Almacene las herramientas fuera del alcance de los niños y no permita su manejo por personas no familiarizadas con las herramientas o con las instrucciones.

Las herramientas eléctricas son peligrosas en manos no entrenadas.



Déle mantenimiento a la herramienta. Compruebe que las partes móviles no estén desalineadas o trabadas, que no haya piezas rotas u otras condiciones que puedan afectar su operación. Repare cualquier daño antes de usar la herramienta.

Muchos accidentes son causados por el escaso mantenimiento de las herramientas.



Mantenga los accesorios de corte afilados y limpios.

Los accesorios de corte en buenas condiciones son menos probables de trabarse y más fáciles de controlar.

Use la herramienta, sus componentes y accesorios de acuerdo con estas instrucciones y de la manera prevista para el tipo de herramienta, en condiciones de trabajo adecuadas.

El uso de la herramienta para aplicaciones diferentes para las que está diseñada podría causar una situación de peligro.

Servicio

Repare la herramienta en un Centro de Servicio Autorizado

TRUPER usando sólo piezas de repuesto idénticas. Para mantener la seguridad de la herramienta.

La máquina no debe ser utilizada por niños ni por personas con capacidades físicas, sensoriales o mentales reducidas; tampoco por personas sin experiencia o conocimientos en su uso, a menos que estén supervisadas por una persona responsable de su seguridad o reciban instrucciones previas sobre el uso de la máquina.

Los niños deben de estar bajo supervisión para asegurarse de que no jueguen con la máquina. Se debe de mantener una estricta supervisión si niños o personas discapacitadas llegan a utilizar cualquier tipo de aparato electrodoméstico o estén cerca de él.



Advertencias de Seguridad

para uso de compresores neumáticos

PRETUL®

Antes de usar el compresor

⚠ ATENCIÓN • El presostato produce chispas mientras opera. Si las chispas entran en contacto con vapores de gasolina u otros solventes, pueden encenderse, ocasionando fuego o explosión. Siempre opere el compresor en un área adecuadamente ventilada. No opere en espacios cerrados. No fume mientras rocía. No rocíe en ambientes inflamables. Mantenga el compresor tan lejos como sea posible del área de aspersión.

⚠ ATENCIÓN • Los solventes como el tricloroetano y el cloruro de metileno pueden reaccionar químicamente con el aluminio utilizado en las pistolas de aspersión de pintura, bombas para pintura, etc. y pueden ocasionar una explosión. Si está usando estos solventes, use solamente equipo de aspersión de acero inoxidable. Esto no afecta al compresor de aire, pero puede afectar el equipo que se está usando.

⚠ PELIGRO • Por ningún motivo realice trabajos de soldadura en el tanque de aire del compresor, ya que se puede crear una condición extremadamente peligrosa. Si se realiza un trabajo de soldadura en el tanque, se anulará la garantía.

⚠ PELIGRO • Nunca use el compresor en exteriores cuando esté lloviendo o en superficies mojadas, ya que puede ocurrir una electrocución.

⚠ ATENCIÓN • Revise la presión máxima especificada por el fabricante para las herramientas y accesorios neumáticos. La presión de salida del compresor debe ser regulada, de manera que nunca se exceda la presión máxima especificada.

• Mantenga las etiquetas y placas de información. Contienen información importante de seguridad. En caso que no se puedan leer o falten, contacte a un Centro de Servicio Autorizado  TRUPER® para conseguir repuestos.

⚠ ATENCIÓN • No modifique el presostato o la válvula de liberación de presión por ninguna razón. Hacerlo anulará la garantía. Fueron ajustados de fábrica a la presión máxima de esta unidad.

⚠ ATENCIÓN • Asegúrese de leer todas las etiquetas de las pinturas o materiales tóxicos que está rociando, y siga las instrucciones de seguridad. Use un respirador si existe la posibilidad de que inhale el material que está rociando. Lea las instrucciones del respirador para asegurarse que le proporcionará la protección adecuada.

⚠ ATENCIÓN • Siempre use anteojos de seguridad cuando use un compresor de aire.

• Para permitir una ventilación adecuada para enfriamiento, el compresor debe mantenerse a una distancia mínima de 30.5 cm (12") de la pared más cercana, en un área adecuadamente ventilada.

• La temperatura ambiente recomendada para la operación del compresor es de 0 °C a 35 °C

Mientras opera el compresor

⚠ ATENCIÓN • No dirija las boquillas, aspersores o el chorro de aire hacia personas o animales.

⚠ ADVERTENCIA • Nunca inhale directamente el aire comprimido producido por el compresor de aire. No es adecuado como aire respirable.

⚠ ADVERTENCIA • No ajuste el regulador más arriba que la presión máxima de presión marcada en el accesorio, de lo contrario el compresor podría reventar.

• Opere el compresor en una superficie nivelada.
• Mantenga el compresor bien ventilado. No lo cubra durante su uso.

⚠ ATENCIÓN • El compresor se calienta durante la operación. No lo toque ni permita que los niños se acerquen durante o inmediatamente después de utilizarlo. No lo utilice sin la cubierta del motor. Trabaje lejos de objetos o líquidos inflamables.

• Los componentes de la manguera de aire pueden calentarse durante el uso. Permita que se enfríen antes de desconectarlas.

• No utilice la manguera de aire para mover el compresor. No deje el compresor conectado al suministro eléctrico cuando esté desatendido por largos periodos de tiempos. Desconecte la herramienta después de trabajar con ella.

• El uso de accesorios no recomendados por

TRUPER® puede tener como resultado lesiones personales.

• Se producen altas temperaturas y hay partes en movimiento abajo de la cubierta. Para evitar quemaduras u otro tipo de lesiones, no opere sin la cubierta en su lugar. Permita que se enfríen las partes del compresor antes de manejarlo o de darle servicio.

• No libere ninguna de las conexiones cuando el tanque se encuentre bajo presión.

Después de usar el compresor

• Recuerde que la unidad arranca automáticamente. Siempre apague el compresor. Retire la clavija del tomacorriente, purgue y libere toda la presión del sistema antes de dar servicio al compresor y cuando el compresor no esté en uso.

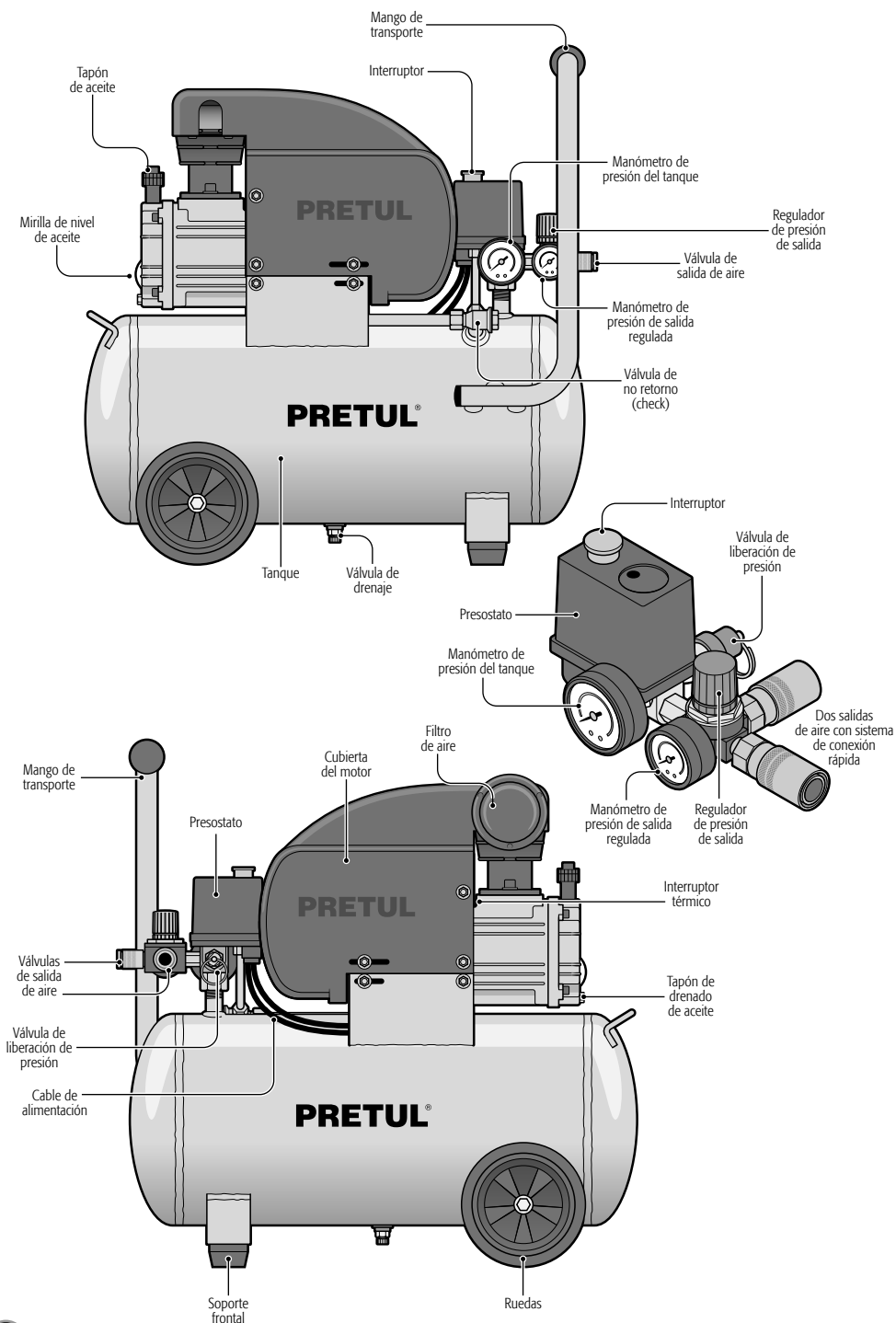
• Drene la humedad del tanque periódicamente. Un tanque limpio y seco ayudará a evitar corrosión.

• Jale el anillo de la válvula de liberación de presión diariamente para asegurar que la válvula está funcionando correctamente, y para retirar de la válvula cualquier obstrucción.

• Sujete el compresor adecuadamente si es necesario transportarlo. Debe liberarse la presión del tanque antes de transportarlo.

• Proteja la manguera de aire y el cable eléctrico de daños y perforaciones. Inspeccione semanalmente para detectar puntos débiles o desgastados y reemplace de ser necesario.

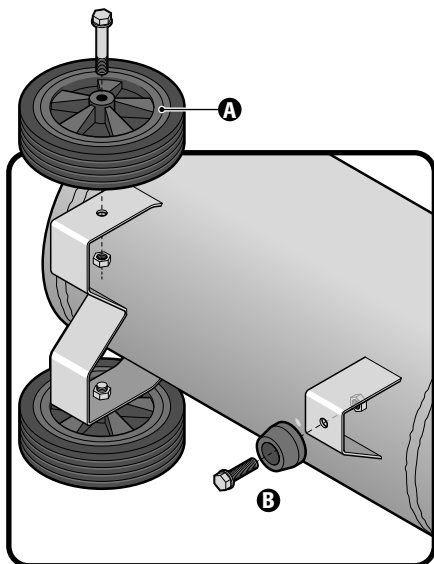
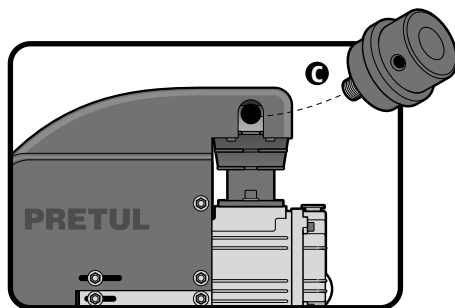




- El compresor de aire sirve para proveer de energía a herramientas neumáticas, tan versátiles como las herramientas eléctricas, por lo que se pueden utilizar para taladrar, atornillar, clavar, remachar, engrapar, cincelar, pulir, soplear, limpiar, pintar, inflar neumáticos o artículos inflables, aplicar pintura y barniz y mantenimiento en otras herramientas.
- El funcionamiento del compresor es completamente automático y es controlado por el presostato, que detiene el motor cuando la presión en el tanque alcanza el nivel máximo y vuelve a arrancar cuando baja a un nivel menor de 551.6 kPa (80 PSI).
- El compresor debe conectarse a un tomacorriente protegido por un interruptor diferencial adecuado (termomagnético).

Ensamble

- Recueste el compresor con cuidado sobre una superficie plana, nivelada y sólida, para ensamblar las ruedas (A) y el soporte frontal (B) con sus respectivos tornillos y tuercas hexagonales como se muestra en el gráfico.
- Ponga el compresor de pie y atornille el filtro de aire (C) a un costado del cárter como se indica en la imagen.



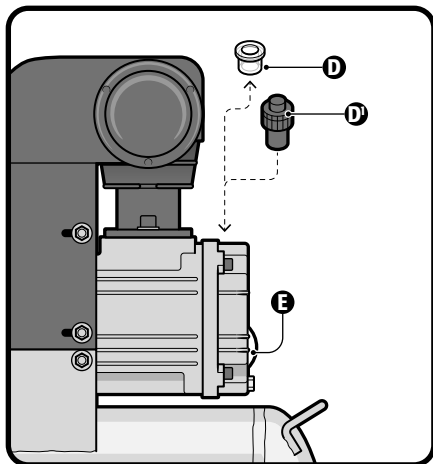
Aceite

⚠ ATENCIÓN • Reemplace el tapón de transporte (D) con el tapón de trabajo con orificio (D') incluido.

• Verifique la mirilla indicadora del nivel de aceite (E). Si el nivel de aceite no abarca el punto medio (círculo rojo), retire el tapón de trabajo (D') y agregue aceite lubricante para compresores SAE-10W30 hasta llegar al nivel indicado.

⚠ ATENCIÓN • Revise el nivel de aceite antes de cada uso.

• Antes de empezar a trabajar, deje el compresor encendido por varios minutos con la válvula de aire completamente abierta para permitir que el lubricante se distribuya correctamente.



Encendido y apagado

- Antes de operar el compresor colóquelo sobre una superficie plana, nivelada y sólida, con buena ventilación y alejado de objetos inflamables, como cortinas, etc. Deje un espacio de al menos 30.5 cm (12") alrededor del compresor para que circule el aire.
- Conecte la clavija al tomacorriente. Asegúrese de que el cable no se convierta en un obstáculo para evitar tropezarse con él o dañarlo.
- Levante el interruptor (E) para encender el compresor. El motor arrancará y llenará el tanque a su máxima presión, luego se apagará automáticamente. Arrancará de nuevo cuando el presostato detecte la disminución de presión durante el uso del compresor, para mantener la presión constante, indicada en el manómetro más grande (F).
- Para apagar el compresor presione el interruptor, después libere el aire que quede en el tanque jalando el anillo de la válvula de liberación de presión (G).

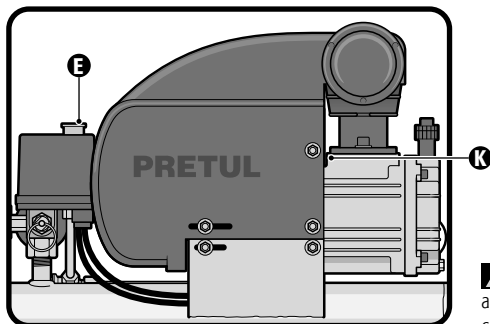
⚠ ATENCIÓN • Nunca desconecte el compresor de la corriente eléctrica para apagarlo. Si el suministro eléctrico se corta accidentalmente, no olvide presionar el interruptor para apagar debidamente el compresor.

Interruptor térmico

• El compresor cuenta con un interruptor térmico (K) que evita que el motor tenga un calentamiento excesivo. El motor se apaga cuando se activa el interruptor. Para restablecer el motor, siga los siguientes pasos:

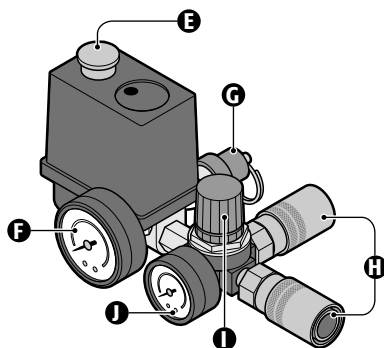
- 1.- Presione el interruptor (E) para asegurar que el compresor esta apagado.
- 2.- Deje enfriar el compresor al menos 5 minutos
- 3.- Oprima el interruptor térmico (K) ubicado a un costado del cárter.
- 4.- Levante el interruptor (E) para encender el compresor.

Nota: Si la unidad se apaga de nuevo, por favor acuda a un Centro de Servicio Autorizado **TRUPER**.



Operación

- Conecte el extremo de la manguera de aire a cualquiera de las salidas del compresor (H).
 - Conecte el otro extremo de la manguera de aire a la entrada de la herramienta neumática (no incluida). Asegúrese que las conexiones coincidan entre sí.
 - Ajuste la presión de la salida mediante el regulador de presión (I), gire la perilla hacia la derecha para incrementar la presión de salida, gírela hacia la izquierda para disminuirla hasta conseguir la presión deseada indicada en el manómetro pequeño (J).
- ⚠ ATENCIÓN** • El ajuste de presión debe de hacerse con la válvula de salida regulada de aire abierta.
- Después de conectar el compresor a la línea de aire, hágalo funcionar con carga a la máxima presión y asegúrese de que funciona correctamente.
 - Revise que no haya fugas en la línea de aire. Apague el compresor para reparar cualquier fuga detectada.



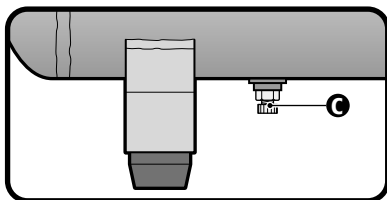
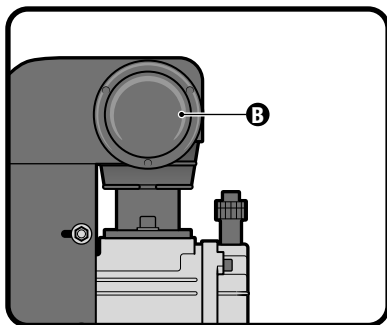
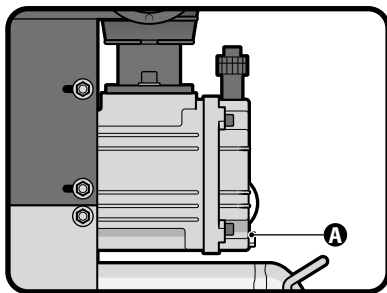
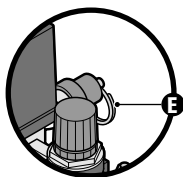
⚠ ATENCIÓN • El motor y su cubierta pueden alcanzar temperaturas altas. Cuando trabaje con el compresor evite tocar esa zona para evitar quemaduras.

Cambio de aceite

- Después de las primeras 5 horas de operación, cambie el aceite retirando el tapón de drenado (A). Vuelva a colocar el tapón y llene el tanque de aceite como se indica en la página 7 (Aceite). Los cambios de aceite posteriores se deben de realizar cada 150 horas de trabajo.

Limpieza y cuidados

- Siempre mantenga las ventilas limpias y libres de obstrucciones para garantizar un enfriamiento adecuado del motor.
- Inspeccione regularmente todos los tornillos de montaje y asegúrese de que estén apretados correctamente. En caso de que alguno de los tornillos esté suelto, apriételo inmediatamente.
- Limpie con aire comprimido el interior del filtro de aire (B) una vez por semana. Después de 50 horas de funcionamiento cambie el filtro.
- Después de operar el compresor durante 16 horas, abra la válvula de drenaje (C) para eliminar el agua almacenada en el tanque por la condensación.
- Después de cada uso desconecte el compresor y libere la presión de aire del tanque jalando el anillo de la válvula de liberación de presión (E).



Servicio

- Cualquier otro servicio o reparación del compresor debe ser realizado únicamente en un Centro de Servicio Autorizado **TRUPER**. El servicio y mantenimiento realizado por personas no calificadas puede resultar peligroso y llegar a ocasionar daños personales además de invalidar la garantía del producto.


Problema

Causa

Solución



El motor no funciona.

- No hay energía eléctrica.
- Fusible fundido.
- Interruptor térmico activado.
- Falla del presostato.

- Asegúrese de conectar el cable de alimentación. Revise el fusible - interruptor de circuito.
- Reemplace el fusible fundido.
- Oprima el botón del interruptor térmico para volver a restablecerlo.
- Acuda a un Centro de Servicio Autorizado  **TRUPER**®.


El motor zumba, pero no opera o funciona lentamente.

- Caída de tensión.
- Devanado del motor en corto o abierto.
- Falla de la válvula check o presostato.
- Aire comprimido en el cilindro.

- Revise con un voltímetro. La tensión mínima debe ser de 115 V~
- Acuda a un Centro de Servicio Autorizado  **TRUPER**®.
- Acuda a un Centro de Servicio Autorizado  **TRUPER**®.
- Presione el interruptor a la posición OFF durante 15 segundos, y después levante a la posición ON.

Los fusibles se funden. El interruptor de circuito se dispara repetidamente.

- Capacidad incorrecta del fusible, circuito sobrecargado.
- Falla de la válvula check o presostato.

- Revise que se esté usando el fusible correcto. Use un fusible con demora de tiempo. Desconecte otros aparatos que estén en el mismo circuito, u opere el compresor usando un circuito independiente.
- Acuda a un Centro de Servicio Autorizado  **TRUPER**®.

La protección de sobrecarga térmica ocasiona interrupciones repetidamente.

- Caída de tensión.
- Filtro de aire tapado.
- Falta de ventilación adecuada.
- La temperatura ambiente demasiado alta.

- Revise con un voltímetro. La tensión mínima debe ser de 115 V~
- Limpie el filtro de aire.
- Mueva el compresor a un área con ventilación adecuada.
- Mueva el compresor a un área con temperatura adecuada.

La presión del tanque cae cuando se detiene el motor.

- Conexiones sueltas (coples, tubería, etc.).
- Válvula de drenaje abierta.
- Fugas en la válvula check.

- Revise para detectar fugas de aire. Use cinta selladora en todas las conexiones con fugas.
- Apriete la válvula de drenaje.
- Desensamble la válvula check. Límpiela o reemplácela.

⚠ PELIGRO NO DESENSAMBLE LA VÁLVULA CHECK CON AIRE EN EL TANQUE. PRIMERO PURGUE EL TANQUE PARA LIBERAR TODA LA PRESIÓN.


Humedad excesiva en el aire de descarga.

- Agua excesiva en el tanque.
- Alta humedad.
- Filtro de aire tapado.

- Drene el tanque abriendo la válvula de drenado.
- Mueva el compresor a un área con menos humedad. Use un filtro en la tubería de aire.
- Limpie o reemplace el filtro.

El motor opera continuamente sin detenerse.

- Falla del presostato.
- Uso de aire excesivo.

- Acuda a un Centro de Servicio Autorizado  **TRUPER**®. Para reemplazar el presostato.
- El compresor no es suficientemente grande para satisfacer los requerimientos de CFM de la herramienta neumática que se está usando.

El compresor vibra.

- Hay pernos de montaje sueltos.
- El soporte de hule del tanque no está instalado o tiene desgaste.

- Apriete todos los pernos y tornillos.
- Instale o reemplace el soporte de hule.

Salida de aire menor a la normal.

- La válvula de drenaje está abierta.
- Filtro de aire sucio.
- Fuga en una conexión.

- Apriete la válvula de drenaje.
- Limpie o cambie el filtro de aire.
- Apriete las conexiones, revise para detectar fugas de aire. Use cinta selladora en todas las conexiones con fugas. Reemplace las mangueras dañadas o rotas.

En caso de tener algún problema para contactar un Centro de Servicio Autorizado Truper® consulte nuestra página www.truper.com donde obtendrá un listado actualizado, o llame al: **800 690-6990** ó **800 0187-8737** donde le informarán cuál es el Centro de Servicio más cercano.

- AGUASCALIENTES** **DE TODO PARA LA CONSTRUCCIÓN**
GRAL. BARRAGÁN #1201, COL. GREMIAL, C.P. 20030, AGUASCALIENTES, AGS. TEL.: 449 994 0537
- BAJA CALIFORNIA** **SUCURSAL TIJUANA**
AV. LA ENCANTADA, LOTE #5, PARQUE INDUSTRIAL EL FLORIDO II, C.P. 22244, TIJUANA, B.C. TEL.: 664 969 5100
- BAJA CALIFORNIA SUR** **FIX FERRETERÍAS**
FELIPE ÁNGELES ESQ. RUIZ CORTÍNEZ S/N, COL. PUEBLO NUEVO, C.P. 23670, CD. CONSTITUCIÓN, B.C.S. TEL.: 613 132 1115
- CAMPECHE** **TORNILLERÍA Y FERRETERÍA AAA**
AV. ALVARO OBREGÓN #524, COL. ESPERANZA C.P. 24080 CAMPECHE, CAMP. TEL.: 981 815 2808
- CHIAPAS** **FIX FERRETERÍAS**
AV. CENTRAL SUR #27, COL. CENTRO, C.P. 30700, TAPACHULA, CHIS. TEL.: 962 118 4083
- CHIHUAHUA** **SUCURSAL CHIHUAHUA**
AV. SILVESTRE TERRAZAS #128-11, PARQUE INDUSTRIAL BAFAR, CARRETERA MÉXICO CUAUHTÉMOC, C.P. 31415, CHIHUAHUA, CHIH. TEL. 614 434 0052
- CIUDAD DE MÉXICO** **FIX FERRETERÍAS**
EL MONSTRUO DE CORREGIDORA, CORREGIDORA # 22, COL. CENTRO, C.P. 06060, CUAUHTÉMOC, CDMX. TEL: 55 5522 5031 / 5522 4861
- COAHUILA** **SUCURSAL TORREÓN**
CALLE METAL MECÁNICA #280, PARQUE INDUSTRIAL ORIENTE, C.P. 27278, TORREÓN, COAH. TEL.: 871 209 68 23
- COLIMA** **BOMBAS Y MOTORES BYMTES DE MANZANILLO**
BLVD. MIGUEL DE LA MADRID #190, COL. 16 DE SEPTIEMBRE, C.P. 28239, MANZANILLO, COL. TEL.: 314 332 1986 / 332 8013
- DURANGO** **TORNILLOS ÁGUILA, S.A. DE C.V.**
MAZURIÓ #200, COL. LUIS ECHEVERRÍA, DURANGO, DGO. TEL.: 618 817 1946 / 618 818 2844
- ESTADO DE MÉXICO** **SUCURSAL CENTRO JILOTEPEC**
AV. PARQUE INDUSTRIAL #1-A, C.P. 54240, JILOTEPEC, EDO. DE MÉX. TEL: 761 782 9101 EXT. 5728 Y 5102
- GUANAJUATO** **CÍA. FERRETERA NUEVO MUNDO S.A. DE C.V.**
AV. MÉXICO - JAPÓN #225, CD. INDUSTRIAL, C.P. 38010, CELAYA, GTO. TEL.: 461 617 7578 / 79 / 80 / 88
- GUERRERO** **CENTRO DE SERVICIO ECLIPSE**
CALLE PRINCIPAL MZ1 LT. 1, COL. SANTA FE, C.P. 39010, CHILPANCIÑO, GRO. TEL.: 747 478 5793
- HIDALGO** **FERREPRECIOS S.A. DE C.V.**
LIBERTAD ORIENTE #304 LOCAL 30, INTERIOR DE PASAJE ROBLEDO, COL. CENTRO, C.P. 43600, TULANCINGO, HGO. TEL.: 775 753 6615 / 775 753 6616
- JALISCO** **SUCURSAL GUADALAJARA**
AV. ADOLFO B. HORN # 6800, COL: SANTA CRUZ DEL VALLE, C.P.: 45655, TLAJOMULCO DE ZUNIGA, JAL. TEL.: 33 3606 5285 AL 90
- MICHOACÁN** **FIX FERRETERÍAS**
AV. PASEO DE LA REPÚBLICA #3140-A, COL. EX-HACIENDA DE LA HUERTA, C.P. 58050, MORELIA, MICH. TEL.: 443 334 6858
- MORELOS** **FIX FERRETERÍAS**
CAPITÁN ANZURES #95, ESQ. JOSÉ PERDIZ, COL. CENTRO, C.P. 62740, CUAUTLA, MOR. TEL.: 735 352 8931
- NAVARRIT** **HERRAMIENTAS DE TEPIC**
MAZATLÁN #117, COL. CENTRO, C.P. 63000, TEPIC, NAY. TEL.: 311 258 0540
- NUEVO LEÓN** **SUCURSAL MONTERREY**
CARRETERA LAREDO #500, 1B MONTERREY PARKS, COLONIA PUERTA DE ANÁHUAC, C.P. 66052, ESCOBEDO, NUEVO LEÓN, TEL.: 81 8352 8791 / 81 8352 8790
- OAXACA** **FIX FERRETERÍAS**
AV. 20 DE NOVIEMBRE #910, COL. CENTRO, C.P. 68500, TUXTEPEC, OAX. TEL.: 287 106 3092
- PUEBLA** **SUCURSAL PUEBLA**
AV. PERIFÉRICO #2-A, SAN LORENZO ALMECATLA, C.P. 72710, CUAUHTLACINGO, PUE. TEL.: 222 282 8282 / 84 / 85 / 86
- QUERÉTARO** **ARU HERRAMIENTAS S.A. DE C.V.**
AV. PUERTO DE VERACRUZ #110, COL. RANCHO DE ENMEDIO, C.P. 76842, SAN JUAN DEL RÍO, QRO. TEL.: 427 268 4544
- QUINTANA ROO** **FIX FERRETERÍAS**
CARRETERA FEDERAL MZ. 46 LT. 3 LOCAL 2, COL EJIDAL, C.P. 77710 PLAYA DEL CARMEN, Q.R. TEL.: 984 267 3140
- SAN LUIS POTOSÍ** **FIX FERRETERÍAS**
AV. UNIVERSIDAD #1850, COL. EL PASEO, C.P. 78520, SAN LUIS POTOSÍ, S.L.P. TEL.: 444 822 4341
- SINALOA** **SUCURSAL CULIACÁN**
AV. JESÚS KUMATE SUR #4301, COL. HACIENDA DE LA MORA, C.P. 80143, CULIACÁN, SIN. TEL.: 667 173 9139 / 173 8400
- SONORA** **FIX FERRETERÍAS**
CALLE 5 DE FEBRERO #517, SUR LT. 25 MZ. 10, COL. CENTRO, C.P. 85000, CD. OBREGÓN, SON. TEL.: 644 413 2392
- TABASCO** **SUCURSAL VILLAHERMOSA**
CALLE HELIO LOTES 1, 2 Y 3 MZ. #1, COL. INDUSTRIAL, 2A ETAPA, C.P. 86010, VILLAHERMOSA, TAB. TEL.: 993 355 7244
- TAMAULIPAS** **VM ORINGS Y REFACCIONES**
CALLE ROSITA #527 ENTRE 20 DE NOVIEMBRE Y GRAL. RODRÍGUEZ, FRACC. REYNOSA, C.P. 88780, REYNOSA, TAMS. TEL.: 899 926 7552
- TLAXCALA** **SERVICIOS Y HERRAMIENTAS INDUSTRIALES**
PABLO SIDAR #132, COL. BARRIO DE SAN BARTOLOMÉ, C.P. 90970, SAN PABLO DEL MONTE, TLAX. TEL.: 222 271 7502
- VERACRUZ** **LA CASA DISTRIBUIDORA TRUPER**
BLVD. PRIMAVERA. ESQ. HORTENSIA S/N, COL. PRIMAVERA C.P. 93308, POZA RICA, VER. TEL.: 782 823 8100 / 826 8484
- YUCATÁN** **SUCURSAL MÉRIDA**
CALLE 33 #600 Y 602, LOCALIDAD ITZINCAB Y MULSAY, MPIO. UJAMÁ, C.P. 97390, MÉRIDA, YUC. TEL.: 999 912 2451

| Código | Modelo | Marca |
|---------------|---------------|----------------|
| 23065 | COMP-20LP | PRETUL® |

Este producto está garantizado por 1 año. Para hacer válida la garantía o adquirir piezas y componentes deberá presentar el producto en Corregidora 22, Col. Centro, Alc. Cuauhtémoc, CDMX C.P. 06060 o en el establecimiento donde lo compró, o en algún Centro de Servicio Truper® de los enlistados en el anexo de la póliza de garantía y/o en www.truper.com. Los gastos de transportación que resulten para su cumplimiento serán cubiertos por **TRUPER®**

Para dudas o comentarios, llame al **800-690-6990**. Hecho en China. Importado por Truper S.A. de C.V. Parque Industrial 1, Jilotepec, Edo. de Méx. C.P. 54240

Sello del establecimiento comercial. Fecha de compra:



1
AÑO