

Manual

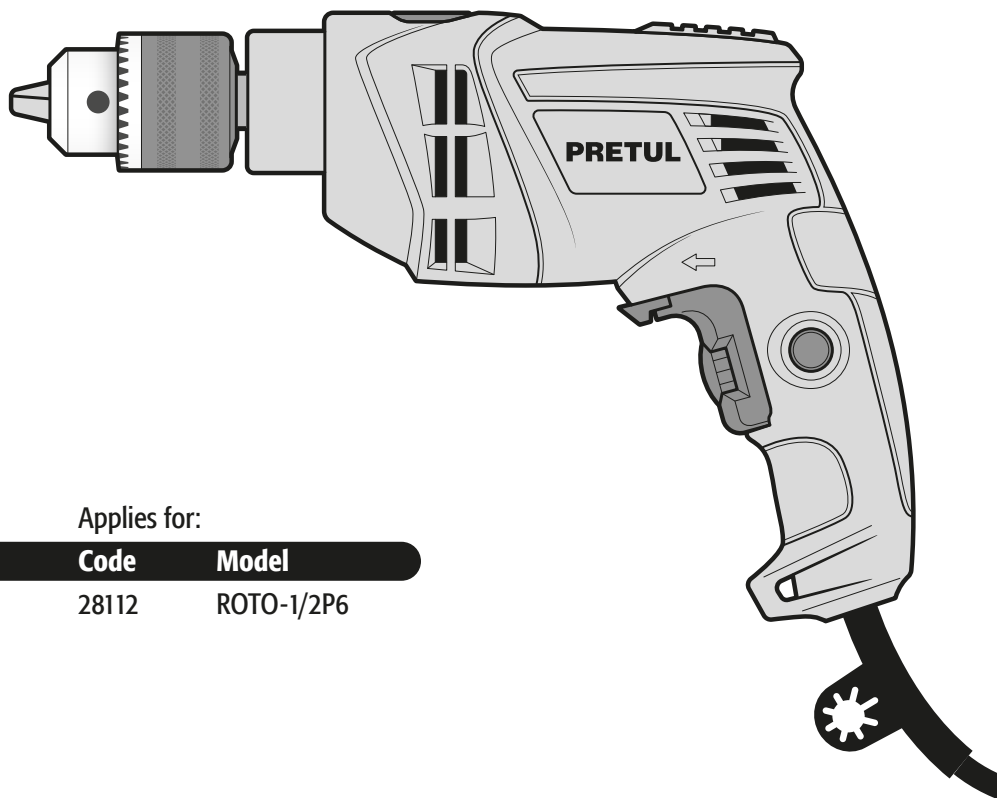
Hammer drill ROTO-1/2P6

0.73 Hp

Power

1/2"

Chuck



Applies for:

Code

Model

28112

ROTO-1/2P6





CAUTION



Read this manual thoroughly
before using the tool.



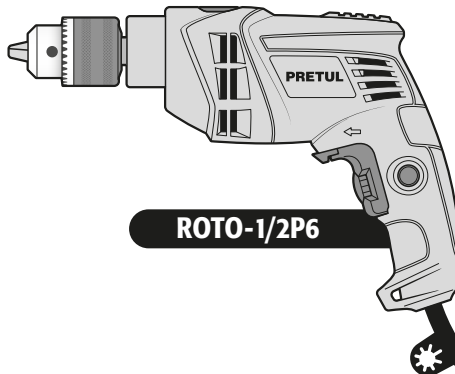
Technical Data	3
Power Requirements	3
 General power tool safety warnings	4
 Safety warnings for drills and hammer drills	5
Parts	6
Start Up	7
Maintenance	8
Notes	9
Authorized Service Centers	11
Warranty Policy	12

CAUTION

To gain the best performance of the tool, prolong the duty life, make the Warranty valid if necessary, and to avoid hazards of fatal injuries please read and understand this Manual before using the tool.

Keep this manual for future references.

The illustrations in this manual are for reference only. They might be different from the real tool.



ROTO-1/2P6

ROTO-1/2P6

Code	• 28112		
Description	• Hammer drill		
Voltage	• 127 V~		
Frequency	• 60 Hz		
Current	• 4.2 A		
Power	• 0.73 Hp		
Speed	• 0 - 3 000 RPM	Impact	• 0 - 48 000 BPM
Chuck	• 1/2"		
Drilling Capacity	• Wood 1" Concrete 1/2" Metal 1/2"		
Conductors	• 18 AWG x 2C with insulating temperature of 221 °F		
Insulating	• Class II	IP Grade	• IP20
Duty Cycle	• 20 minutes work per 10 minutes idle. Maximum 1 hour 30 minutes per day.		

Power Cord Grips used in this product: Type Y.
Tool Build Quality: Reinforced insulation.
Thermal insulation on motor winding: Class B

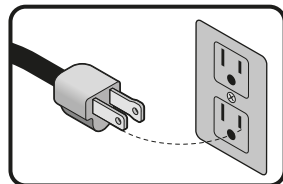
⚠ WARNING Avoid the risk of electric shock or severe injury. When the power cable gets damaged it should only be replaced by the manufacturer or at a **TRUPER** Authorized Service Center. The build quality of the electric insulation is altered if spills or liquid gets into the tool while in use. Do not expose to rain, liquids and/or dampness.

⚠ WARNING Before gaining access to the terminals all power sources should be disconnected.



Power Requirements

⚠ WARNING Tools with double insulation and reinforced insulation are equipped with a polarized plug (one prong is wider than the other). This plug will only fit in the right way into a polarized outlet. If the plug cannot be introduced into the outlet, reverse the plug. If it still doesn't fit, call a qualified electrician to install for you a polarized outlet. Do not alter the plug in any way. Both insulation types eliminate the need of both a grounded third power cord with three prongs or a grounded power connection.



⚠ WARNING When using an extension cable, verify the gauge is enough for the power that your product needs. A lower gauge cable will cause voltage drop in the line, resulting in power loss and overheating. The following table shows the right size to use depending on cable's length and the ampere capability shown in the tool's nameplate. When in doubt use the next higher gauge.

Ampere Capacity	Number of Conductors	Extension gauge	
		from 5.91' to 49.2'	higher than 49.2'
from 0 A and up to 10 A	3 (one grounded)	18 AWG(*)	16 AWG
from 10 A and up to 13 A		16 AWG	14 AWG
from 13 A and up to 15 A		14 AWG	12 AWG
from 15 A and up to 20 A		8 AWG	6 AWG

* It is safe to use only if the extensions have a built-in artifact for over current protection.
AWG = American Wire Gauge. Reference: NMX-I-195-ANCE

⚠ WARNING When operating power tools outdoors, use a **VOLTECK** grounded extension cable labeled "For Outdoors Use". These extensions are especially designed for operating outdoors and reduce the risk of electric shock.



⚠ WARNING! Read carefully all safety warnings and instructions listed below. Failure to comply with any of these warnings may result in electric shock, fire and / or severe damage. **Save all warnings and instructions for future references.**

Work area

Keep your work area clean, and well lit.

Cluttered and dark areas may cause accidents.



Never use the tool in explosive atmospheres, such as in the presence of flammable liquids, gases or dust.

Sparks generated by power tools may ignite the flammable material.



Keep children and bystanders at a safe distance while operating the tool.

Distractions may cause losing control.



Electrical Safety

The tool plug must match the power outlet. Never modify the plug in any way. Do not use any adapter plugs with grounded power tools.

Modified plugs and different power outlets increase the risk of electric shock.



Avoid body contact with grounded surfaces, such as pipes, radiators, electric ranges and refrigerators.

The risk of electric shock increases if your body is grounded.

Do not expose the tool to rain or wet conditions.

Water entering into the tool increases the risk of electric shock.

Do not force the cord. Never use the cord to carry, lift or unplug the tool. Keep the cord away from heat, oil, sharp edges or moving parts.

Damaged or entangled cords increase the risk of electric shock.

When operating a tool outdoors, use an extension cord suitable for outdoor use.

Using an adequate outdoor extension cord reduces the risk of electric shock.

If operating the tool in a damp location cannot be avoided, use a ground fault circuit interrupter (GFCI) protected supply.

Using a GFCI reduces the risk of electric shock.

Personal safety

Stay alert, watch what you are doing and use common sense when operating a tool. Do not use a power tool while you are tired or under the influence of drugs, alcohol or medication.

A moment of distraction while operating the tool may result in personal injury.

Use personal protective equipment. Always wear eye protection.

Protective equipment such as safety glasses, anti-dust mask, non-skid shoes, hard hats and hearing protection used in the right conditions significantly reduce personal injury.



Prevent unintentional starting up. Ensure the switch is in the "OFF" position before connecting into the power source and / or battery as well as when carrying the tool.

Transporting power tools with the finger on the switch or connecting power tools with the switch in the "ON" position may cause accidents.

Remove any wrench or vice before turning the power tool on.

Wrenches or vices left attached to rotating parts of the tool may result in personal injury.

Do not overreach. Keep proper footing and balance at all times.

This enables a better control on the tool during unexpected situations.

Dress properly. Do not wear loose clothing or jewelry. Keep hair, clothes and gloves away from the moving parts.

Loose clothes or long hair may get caught in moving parts.



If you have dust extraction and recollection devices connected onto the tool, inspect their connections and use them correctly.
Using these devices reduce dust-related risks.

Power Tools Use and Care

Do not force the tool. Use the adequate tool for your application.

The correct tool delivers a better and safer job at the rate for which it was designed.



Do not use the tool if the switch is not working properly.

Any power tool that cannot be turned ON or OFF is dangerous and should be repaired before operating.

Disconnect the tool from the power source and / or battery before making any adjustments, changing accessories or storing.

These measures reduce the risk of accidentally starting the tool.

Store tools out of the reach of children. Do not allow persons that are not familiar with the tool or its instructions to operate the tool.

Power tools are dangerous in the hands of untrained users.



Service the tool. Check the mobile parts are not misaligned or stuck. There should not be broken parts or other conditions that may affect its operation. Repair any damage before using the tool.

Most accidents are caused due to poor maintenance to the tools.



Keep the cutting accessories sharp and clean.

Cutting accessories in good working conditions are less likely to bind and are easier to control.

Use the tool, components and accessories in accordance with these instructions and the projected way to use it for the type of tool when in adequate working conditions.

Using the tool for applications different from those it was designed for, could result in a hazardous situation.

Service

Repair the tool in a TRUPER Authorized Service Center using only identical spare parts.

This will ensure that the safety of the power tool is maintained.



This tool is in compliance with the Official Mexican Standard (NOM - Norma Oficial Mexicana).

Safety warnings for drills and hammer drills

PRETUL®

Choose the right bit


⚠ CAUTION • Choose the right bit for the work piece. It reduces the risk of severe injury and makes the job easier.

- To drill concrete or stone, use bits specifically designed for concrete.
- To work on metal or plastic, use bits suitable for metal. Sizes encompass a minimum of 0.03" (0.04" for a 0.5" chuck) and up to the chuck maximum capacity.
- On wood, use regular bits suitable for wood. In any case, to drill 0.25" or smaller orifices, use bits designed to drill on metal.
- Do not try using bits exceeding the chuck capacity.

Before using the hammer drill

• Before starting to work with the drill, take a few minutes to assess the job to be done and double-check all the safety caution rules.

⚠ WARNING • Fit the bit into the chuck. Remove the chuck wrench before drilling. Failure to follow this instruction shoots out the chuck wrench with great speed and cause severe injury.


⚠ DANGER • Before drilling walls, floors or ceiling, look for any built-in objects, like power cables and conductors or pipes. 

⚠ DANGER • Verify the switch is in the OFF position (See page 7 Operation and control) before connecting the drill. Otherwise, it can unexpectedly start operating and could cause sever injuries.

⚠ CAUTION • Turn off and disconnect the tool before reversing the chuck's direction as well as fitting or replacing bits.

While operating the hammer drill

• Use the auxiliary handles, if supplied with the tool. Loss of control may result in personal injury.

• Hold the tool by the isolated parts. The cutting part of bit could come into contact with hidden wiring or with its own power cord. Making contact with a power cord causes the tool metal parts get electrified and may result in electric shock to the user. 

• Do not force the tool to excessive workloads.

⚠ CAUTION • Turn off the hammer drill immediately if the bit gets stuck into the work piece. Then, remove the bit off the work piece. Do not try removing stuck bits turning on and off the tool.


• Do not apply too much force on the tool in order to accelerate the drilling procedure. The bit could get damaged and the tool would loose efficiency and useful life.


⚠ WARNING • A large diameter bit causes a higher reactive force leading to losing control over the tool. To avoid this possibility, firmly hold the tool with both hands and keep balanced footing. Drill at 90°

• Be prepared to relax the drilling force when the bit goes through the material. Sudden movements could break the bit or damage the hammer drill.

⚠ CAUTION • Do not touch the bit or the orifices immediately after drilling. Wait until they cool down to handle them. Do not try to cool them down using water or oil.


• Immediately after using do not set the tool where there are particles and / or dust. They can be absorbed into the tool mechanism and cause damage.

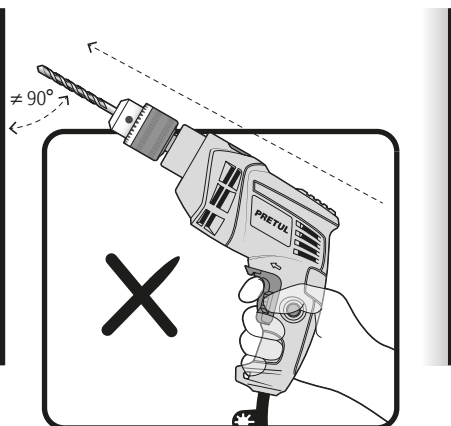
• Use earplugs when using the hammer drill. 

Exposure to noise can cause hearing loss. 

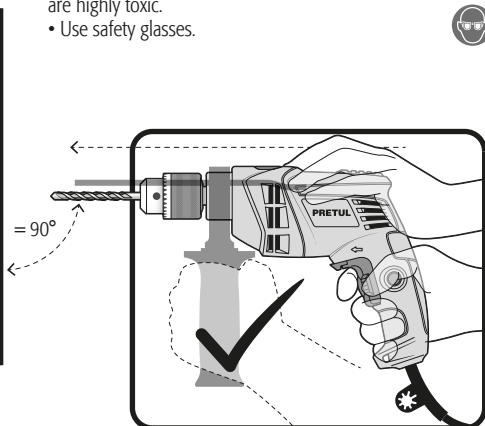
• Use dust mask and dust extractor if necessary.

Remember that materials such as asbestos, paint with lead, additives, some types of wood, metals or minerals are highly toxic.

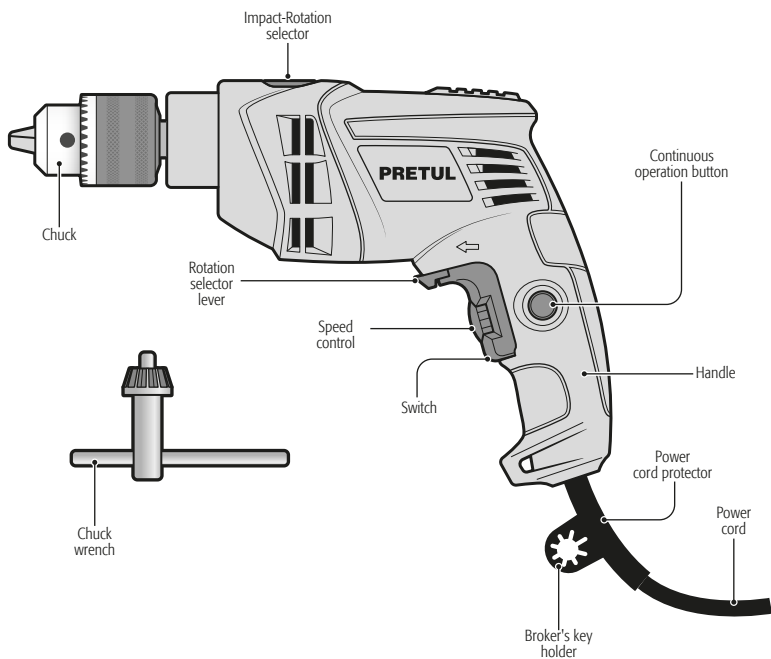
• Use safety glasses. 



Wrong way to operate the hammer drill.



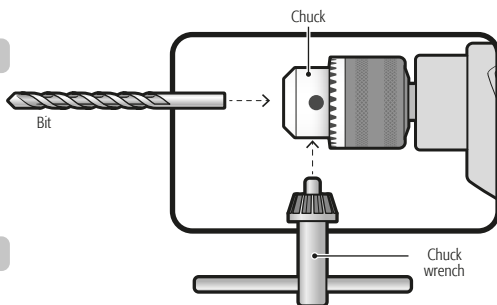
Right way to operate the hammer drill.



Bit fitting

• Put the bit into the chuck until it stops. Fasten with the chuck wrench and tighten alternately the chuck into each of the orifices.

⚠ WARNING Clean the burrs and any other foreign objects of the drill and the broker, otherwise the drill cannot get tight and cause serious personal injury.



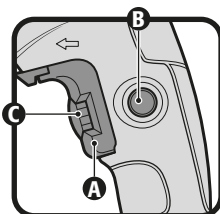
Turn on and operation control

• Intermittent operation:

Connect the plug into the power inlet.
Press the switch (A) to start the hammer drill.
To stop, just release the switch.

• Continuous Operation:

Connect the plug into the power inlet.
Press the switch (A) and block it pressing the continuous use button (B).
To stop, press and then, release the switch.



Speed control

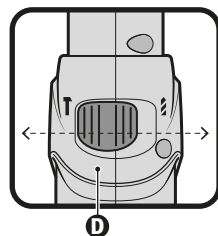
- The tool can run in different speeds. Select by adjusting speed control (C) in the switch.
- Turn speed control clockwise to increase the hammer drill speed and torsion.
- Turn counterclockwise to lessen speed and torsion.

Changing from hammer drill to drill

• To drill concrete, floor tile or materials of similar hardness, move the impact-rotation selector (D) completely into the IMPACT (→) position. The bit will simultaneously impact and rotate onto the material.

• To drill metal, wood or plastic, move the impact-rotation selector completely into the ROTATION (←) position. The bit will rotate onto the material.

⚠ WARNING Do not try to drill metal; wood or plastic with the hammer drill into IMPACT (→) mode setting. Otherwise the tool efficiency will lessen and the bit tip would get damaged.

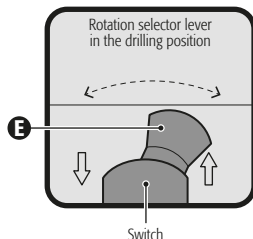


Rotation direction

• To get the bit to rotate forward and drill, move the rotation selector lever (E) towards the arrow pointing the chuck.

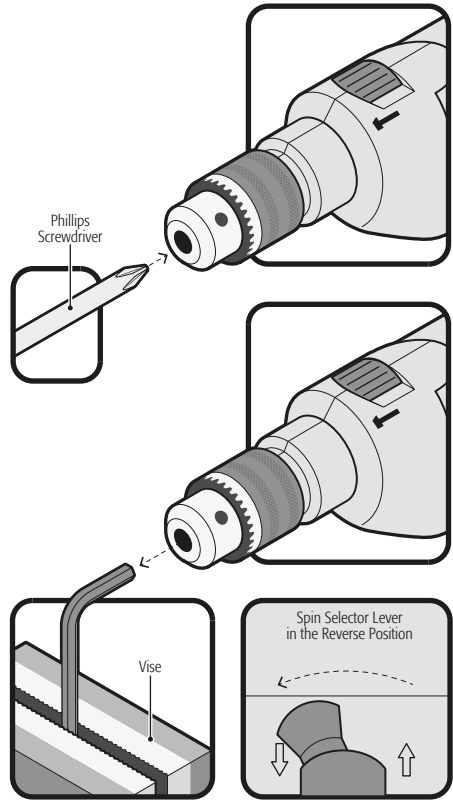
• To get the bit go reverse and use the tool as a screwdriver, move the rotation selector lever towards the arrow pointing the hammer drill handle.

⚠ WARNING Never use the tool in reverse when the impact-rotation selector is in the IMPACT (→) position, otherwise, the impact system will be severely damaged.



Chuck Replacement

- Remove the auxiliary handle.
- Open the chuck jaws all the way.
- Using a screwdriver remove the left-threaded safety screw with a clockwise movement.
- Fit the long side of an "L" (not included) Allen key in a vise.
- Insert the short side of the "L" (not included) Allen key to the chuck. Close the jaws.
- Move the spin selector lever into the reverse position (page 7). Fasten the drill firmly and activate the drill. The chuck will be released with the turn.
- Set the new chuck turning it into the hammer drill thread until it stops.
- Open the jaws fully and thread the screw in a counterclockwise position. Tighten with a screwdriver.



Cleaning and care

- To guarantee adequate motor cooling, always keep slots clean and free of obstructions.
- Regularly inspect all the mounting screws. Double-check they are properly tighten. If any screw is loose tighten immediately.

Service

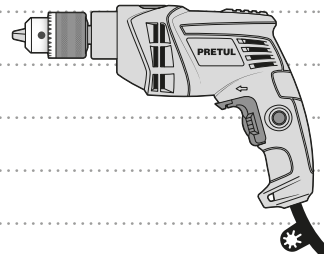
- Service should only be made in a **TRUPER®** Authorized Service Center. Service and maintenance performed by non-qualified people may be dangerous and lead to personal injuries. It also makes the product Warranty void.

Lubrication

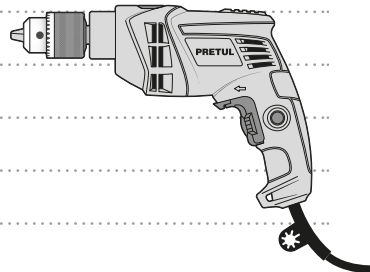
- We recommend lubricating the tool transmission every carbon brush change in a **TRUPER®** Authorized Service Center.

Carbon brush replacement

- Carbon brushes should be checked periodically.
- When one or both carbon brushes show signs of wear go to a **TRUPER®** Authorized Service center to have both carbon brushes replaced. When replaced, see if the new carbon brushes move freely in the carbon brush housing. Ask to turn on the tool during five minutes to make the contact in the carbon brushes and the commutator even.
- Use only original **TRUPER®** spare carbon brushes, designed specifically with the right strength and electric resistance for each type of motor. Carbon brushes with different specifications may damage the motor.
- When replacing carbon brushes, always change both.




A series of horizontal dotted lines for taking notes, spanning most of the page.



In the event of any problem contacting a **TRUPER®** Authorized Service Center, please see our webpage www.truper.com to get an updated list, or call our toll-free numbers **800 690-6990** or **800 0187-8737** to get information about the nearest Service Center.

AGUASCALIENTES	DE TODO PARA LA CONSTRUCCIÓN GRAL. BARRAGÁN #1201, COL. GREMIAL, C.P. 20030, AGUASCALIENTES, AGS. TEL.: 449 994 0537	MORELOS	FIX FERRETERÍAS CAPITÁN ANZURES #95, ESQ. JOSÉ PERDIZ, COL. CENTRO, C.P. 62740, CUAUTLA, MOR. TEL.: 735 552 8951
BAJA CALIFORNIA	SUCURSAL TIJUANA AV. LA ENCANTADA, LOTE #5, PARQUE INDUSTRIAL EL FLORIDO II, C.P. 22244, TIJUANA, B.C. TEL.: 664 969 5100	NAVARIT	HERRAMIENTAS DE TEPIC MAZATLAN #117, COL. CENTRO, C.P. 63000, TEPIC, NAY. TEL.: 311 258 0540
BAJA CALIFORNIA SUR	FIX FERRETERÍAS FELIPE ANGELES ESQ. RUIZ CORTÍNEZ S/N, COL. PUEBLO NUEVO, C.P. 23670, CD. CONSTITUCIÓN, B.C.S. TEL.: 613 132 1115	NUEVO LEÓN	SUCURSAL MONTERREY CARRETERA LAREDO #300, 1B MONTERREY PARKS, COLONIA PUERTA DE ANAHUAC, C.P. 66052, ESCOBEDO, NUEVO LEÓN, TEL.: 81 8552 8791 / 81 8552 8790
CAMPECHE	TORNILLERÍA Y FERRETERÍA AAA AV. ÁLVARO OBREGÓN #524, COL. ESPERANZA C.P. 24080 CAMPECHE, CAMP. TEL.: 981 815 2808	OAXACA	FIX FERRETERÍAS AV. 20 DE NOVIEMBRE #910, COL. CENTRO, C.P. 68300, TUXTEPEC, OAX. TEL.: 287 106 3092
CHIAPAS	FIX FERRETERÍAS AV. CENTRAL SUR #27, COL. CENTRO, C.P. 30700, TAPACHULA, CHIS. TEL.: 962 118 4083	PUEBLA	SUCURSAL PUEBLA AV. PERIFÉRICO #2-A, SAN LORENZO ALMECATELA, C.P. 72710, CUAUTLACINGO, PUE. TEL.: 222 282 8282 / 84 / 85 / 86
CHIHUAHUA	SUCURSAL CHIHUAHUA AV. SILVESTRE TERRAZAS #128-11, PARQUE INDUSTRIAL BAFAR, CARRETERA MÉXICO CUAUHTÉMOC, C.P. 31415, CHIHUAHUA, CHIH. TEL.: 614 434 0052	QUERÉTARO	ARU HERRAMIENTAS S.A DE C.V. AV. PUERTO DE VERACRUZ #110, COL. RANCHO DE ENMEDIO, C.P. 76842, SAN JUAN DEL RÍO, QRO. TEL.: 427 268 4544
MEXICO CITY	FIX FERRETERÍAS EL MONSTRUO DE CORREGIDORA, CORREGIDORA # 22, COL. CENTRO, C.P. 06060, CUAUHTÉMOC, CDMX. TEL.: 55 5522 5031 / 5522 4861	QUINTANA ROO	FIX FERRETERÍAS CARRETERA FEDERAL MZ. 46 LT. 3 LOCAL 2, COL EJIDAL, C.P. 77710 PLAYA DEL CARMEN, Q.R. TEL.: 984 267 3140
COAHUILA	SUCURSAL TORREÓN CALLE METAL MECÁNICA #280, PARQUE INDUSTRIAL ORIENTE, C.P. 27278, TORREÓN, COAH. TEL.: 871 209 68 25	SAN LUIS POTOSÍ	FIX FERRETERÍAS AV. UNIVERSIDAD #1850, COL. EL PASEO, C.P. 78320, SAN LUIS POTOSÍ, S.L.P. TEL.: 444 822 4341
COLIMA	BOMBAS Y MOTORES BYMTESA DE MANZANILLO BLVD. MIGUEL DE LA MADRID #190, COL. 16 DE SEPTIEMBRE, C.P. 28239, MANZANILLO, COL. TEL.: 314 332 1986 / 332 8013	SINALOA	SUCURSAL CULIACÁN AV. JESÚS KUMATE SUR #4301, COL. HACIENDA DE LA MORA, C.P. 80143, CULIACÁN, SIN. TEL.: 667 173 9139 / 173 8400
DURANGO	TORNILLOS ÁGUILA, S.A. DE C.V. MAZURIO #200, COL. LUIS ECHEVERRÍA, DURANGO, DGO. TEL.: 618 817 1946 / 618 818 2844	SONORA	FIX FERRETERÍAS CALLE 5 DE FEBRERO #517, SUR LT. 25 MZ. 10, COL. CENTRO, C.P. 85000, CD. OBREGÓN, SON. TEL.: 644 413 2392
ESTADO DE MÉXICO	SUCURSAL CENTRO JILOTEPEC AV. PARQUE INDUSTRIAL #1-A, C.P. 54240, JILOTEPEC, EDO. DE MÉX. TEL.: 761 782 9101 EXT. 5728 Y 5102	TABASCO	SUCURSAL VILLAHERMOSA CALLE HELIO LOTES 1, 2 Y 3 MZ. #1, COL. INDUSTRIAL, 2A ETAPA, C.P. 86010, VILLAHERMOSA, TAB. TEL.: 993 353 7244
GUANAJUATO	CÍA. FERRETERA NUEVO MUNDO S.A. DE C.V. AV. MÉXICO - JAPÓN #225, CD. INDUSTRIAL, C.P. 38010, CELAYA, GTO. TEL.: 461 617 7578 / 79 / 80 / 88	TAMAULIPAS	VM ORINGS Y REFACCIONES CALLE ROSITA #527 ENTRE 20 DE NOVIEMBRE Y GRAL. RODRÍGUEZ, FRACC. REYNOSA, C.P. 88780, REYNOSA, TAMS. TEL.: 899 926 7552
GUERRERO	CENTRO DE SERVICIO ECLIPSE CALLE PRINCIPAL MZ 1 LT. 1, COL. SANTA FE, C.P. 39010, CHILPANCIÑO, GRO. TEL.: 747 478 5793	TLAXCALA	SERVICIOS Y HERRAMIENTAS INDUSTRIALES PABLO SIDAR #132, COL. BARRIO DE SAN BARTOLOMÉ, C.P. 90970, SAN PABLO DEL MONTE, TLAX. TEL.: 222 271 7502
HIDALGO	FERREPRECIOS S.A. DE C.V. LIBERTAD ORIENTE #304 LOCAL 30, INTERIOR DE PASAJE ROBLEDO, COL. CENTRO, C.P. 43600, TULANCINGO, HGO. TEL.: 775 753 6615 / 775 753 6616	VERACRUZ	LA CASA DISTRIBUIDORA TRUPER BLVD. PRIMAVERA. ESQ. HORTENSIA S/N, COL. PRIMAVERA C.P. 93308, POZA RICA, VER. TEL.: 782 823 8100 / 826 8484
JALISCO	SUCURSAL GUADALAJARA AV. ADOLFO B. HORN # 6800, COL: SANTA CRUZ DEL VALLE, C.P.: 45655, TLAJOMULCO DE ZUÑIGA, JAL. TEL.: 33 3606 5285 AL 90	YUCATÁN	SUCURSAL MÉRIDA CALLE 33 #600 Y 602, LOCALIDAD ITZINCAB Y MULSAY, MPIO. UMAN, C.P. 97390, MÉRIDA, YUC. TEL.: 999 912 2451
MICHOACÁN	FIX FERRETERÍAS AV. PASEO DE LA REPÚBLICA #3140-A, COL. EX-HACIENDA DE LA HUERTA, C.P. 58050, MORELIA, MICH. TEL.: 443 334 6858		

Code	Model	Brand
28112	ROTO-1/2P6	PRETUL®

This product is guaranteed for 1 year. To make the warranty valid or purchase parts and components you must present the product in Corregidora 22, Col. Centro, Alc. Cuauhtémoc, CDMX C.P. 06060 or at the establishment where you purchased it, or at any Truper® Service Center listed in the annex to the warranty policy and/or in www.truper.com. Transportation costs resulting from compliance of this warranty will be covered by  **TRUPER®**

For questions or comments, call **800-690-6990**. Made in China. Imported by Truper S.A. de C.V. Parque Industrial 1, Jilotepec, Edo. de Méx. C.P. 54240



1
YEAR

Stamp of the business. Delivery date:

Instructivo de

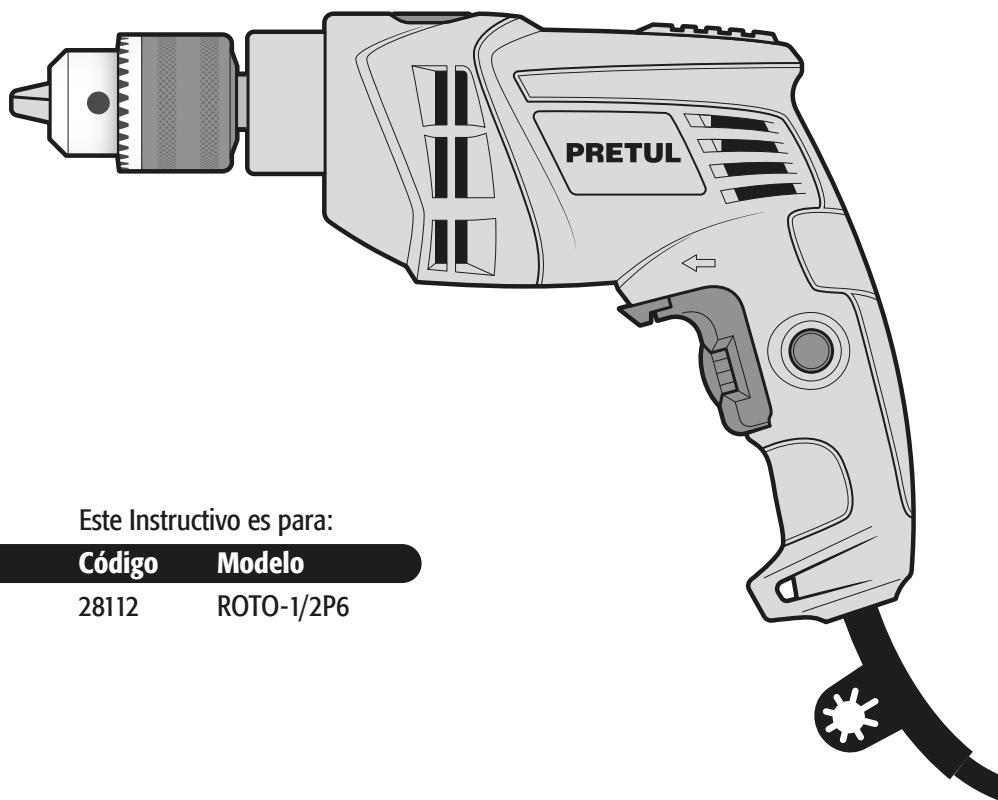
Rotomartillo ROTO-1/2P6

550 W

Potencia

1/2" (13 mm)

Broquero



Este Instructivo es para:

Código

Modelo

28112

ROTO-1/2P6



ATENCIÓN



Lea este Instructivo por completo
antes de usar la herramienta.



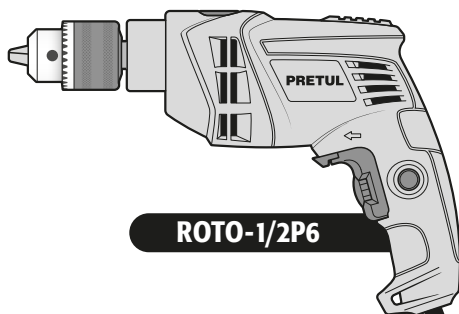
Especificaciones técnicas	3
Requerimientos eléctricos	3
 Advertencias generales de seguridad para herramientas eléctricas	4
 Advertencias de Seguridad para uso de taladros y rotomartillos	5
Partes	6
Puesta en marcha	7
Mantenimiento	8
Notas	9
Centros de Servicio Autorizados	11
Póliza de Garantía	12

ATENCIÓN

Para poder sacar el máximo provecho de la herramienta, alargar su vida útil, hacer válida la garantía en caso de ser necesario y evitar riesgos o lesiones graves, es fundamental leer este Instructivo por completo antes de usar la herramienta.

Guarde este Instructivo para futuras referencias.

Los gráficos de este Instructivo son para referencia, pueden variar del aspecto real de la herramienta.



ROTO-1/2P6

ROTO-1/2P6

Código	•	28112
Descripción	•	Rotomartillo
Tensión	•	127 V~
Frecuencia	•	60 Hz
Corriente	•	4.2 A
Potencia	•	550 W
Velocidad	•	0 - 3 000 r/min
		Impacto • 0 - 48 000 golpes/min
Broquero	•	1/2" (13 mm)
Capacidad de perforación	•	Madera 25 mm Concreto 13 mm Metal 13 mm
Conductores	•	18 AWG x 2C con temperatura de aislamiento de 105 °C
Aislamiento	•	Clase II
		Grado IP • IP20
Ciclo de trabajo	•	20 min de trabajo x 10 min de descanso. Máximo diario 1 hora 30 min

El cable de alimentación tiene sujeta-cables tipo: Y
 La clase de construcción de la herramienta es: Aislamiento reforzado.
 La clase de aislamiento térmico de los devanados del motor: Clase B

⚠ ADVERTENCIA Si el cable de alimentación se daña, éste debe ser reemplazado por el fabricante o Centro de Servicio Autorizado **TRUPER**, con el fin de evitar algún riesgo de descarga o accidente considerable.

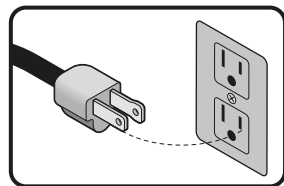
La construcción del aislamiento eléctrico de esta herramienta es alterado por salpicaduras o derramamiento de líquidos durante su operación. No la exponga a la lluvia, líquidos y/o humedad.



⚠ ADVERTENCIA Antes de obtener acceso a las terminales, todos los circuitos de alimentación deben ser desconectados.

Requerimientos eléctricos

⚠ ADVERTENCIA Las herramientas de doble aislamiento y aislamiento reforzado están equipadas con una clavija polarizada (una pata es más ancha que la otra). Esta clavija cabe en cualquier enchufe polarizado y sólo puede conectarse de una forma. Si la clavija no cabe en el enchufe, voltéelo. Si aún así no cabe, póngase en contacto con un electricista calificado o instale un enchufe polarizado. No altere la clavija en forma alguna. Ambos tipos de aislamiento eliminan la necesidad de un cable de corriente de tres partes con conexión a tierra o de un sistema de corriente eléctrica con conexión a tierra.



⚠ ADVERTENCIA Al usar un cable de extensión, asegúrese de usar el calibre suficiente para transportar la corriente que consumirá su herramienta. Un cable de un calibre inferior ocasionará caídas de tensión en la línea, teniendo como resultado pérdida de potencia y sobrecalentamiento del motor. La siguiente tabla muestra el tamaño correcto que debe usarse dependiendo de la longitud del cable y de la capacidad de amperes indicada en la placa de datos de la herramienta. Si tiene dudas use el siguiente calibre más alto.

Capacidad en Amperes	Número de conductores	Calibre de extensión	
		de 1,8 m a 15 m	mayor de 15 m
de 0 A hasta 10 A	3 (uno a tierra)	18 AWG(*)	16 AWG
de 10 A hasta 13 A		16 AWG	14 AWG
de 13 A hasta 15 A		14 AWG	12 AWG
de 15 A hasta 20 A		8 AWG	6 AWG

* Se permite utilizarlo siempre y cuando las extensiones mismas cuenten con un artefacto de protección contra sobrecorriente.

AWG = Calibre de alambre estadounidense (American Wire Gauge). Referencia: NMX-J-195-ANCE

⚠ ADVERTENCIA Al operar herramientas eléctricas en exteriores, utilice una extensión aterrizada marcada como "Uso exterior" marca **VOLTECK**. Estas extensiones son especiales para el uso en exteriores y reducen el riesgo de sufrir una descarga eléctrica.



¡ADVERTENCIA! Lea detenidamente todas las advertencias de seguridad y todas las instrucciones que se enlistan a continuación. La omisión de alguna de ellas puede dar como resultado un choque eléctrico, incendio y/o daño serio. **Conserve las advertencias y las instrucciones para futuras referencias.**

Área de trabajo

Mantenga el área de trabajo limpia y bien iluminada.

Las áreas desordenadas y oscuras son propensas a accidentes.



No maneje la herramienta en ambientes explosivos, como en presencia de líquido, gas o polvo inflamables.

Las herramientas eléctricas producen chispas que pueden encender material inflamable.



Mantenga alejados a los niños y curiosos cuando opere la herramienta.

Las distracciones pueden hacer que pierda el control.



Seguridad eléctrica

La clavija de la herramienta debe coincidir con el tomacorriente. Nunca modifique una clavija. No use ningún tipo de adaptador para clavijas de herramientas puestas a tierra.

Clavijas modificadas y enchufes diferentes aumentan el riesgo de choque eléctrico.



Evite el contacto del cuerpo con superficies puestas a tierra como tuberías, radiadores, cocinas eléctricas y refrigeradores.

Hay un mayor riesgo de choque eléctrico si el cuerpo está puesto a tierra.

No exponga la herramienta a la lluvia o condiciones de humedad.

El agua que ingresa en la herramienta aumenta el riesgo de choque eléctrico.

No fuerce el cable. Nunca use el cable para transportar, levantar o desconectar la herramienta. Mantenga el cable lejos del calor, aceite, orillas afiladas o piezas en movimiento.

Los cables dañados o enredados aumentan el riesgo de choque eléctrico.

Cuando maneje una herramienta en exteriores, use una extensión especial para uso en exteriores.

El uso de una extensión adecuada para exteriores reduce el riesgo de choque eléctrico.

Si el uso de la herramienta en un lugar húmedo es inevitable, use una alimentación protegida por un interruptor de circuito de falla a tierra (GFCI).

El uso de un GFCI reduce el riesgo de choque eléctrico.

Seguridad personal

Esté alerta, vigile lo que está haciendo y use el sentido común cuando maneje una herramienta. No la use si está cansado o bajo la influencia de drogas, alcohol o medicamentos.

Un momento de distracción mientras maneja la herramienta puede causar un daño personal.

Use equipo de seguridad. Use siempre protección para los ojos.

El uso de equipo de seguridad como lentes de seguridad, mascarilla antipolvo, zapatos antideslizantes, casco y protección para los oídos en condiciones apropiadas, reduce de manera significativa los daños personales.



Evite arranques accidentales. Asegúrese de que el interruptor está en posición "apagado" antes de conectar a la fuente de alimentación y/o a la batería o transportar la herramienta.

Transportar herramientas eléctricas con el dedo sobre el interruptor o conectar herramientas eléctricas que tienen el interruptor en posición de "encendido" puede causar accidentes.

Retire cualquier llave o herramienta de ajuste antes de arrancar la herramienta eléctrica.

Las llaves o herramientas que quedan en las partes rotativas de la herramienta pueden causar un daño personal.

No sobrepase su campo de acción. Mantenga ambos pies bien asentados sobre el suelo y conserve el equilibrio en todo momento.

Esto permite un mejor control de la herramienta en situaciones inesperadas.

Vista adecuadamente. No vista ropa suelta o joyas. Mantenga su pelo, su ropa y guantes alejados de las piezas en movimiento.

La ropa o el pelo sueltos o las joyas pueden quedar atrapados en las piezas en movimiento.



En caso de contar con dispositivos de extracción y recolección de polvo conectados a la herramienta, verifique sus conexiones y úselos correctamente.

El uso de estos dispositivos reduce los riesgos relacionados con el polvo.

Uso y cuidados de la herramienta

No fuerce la herramienta. Use la herramienta adecuada para el trabajo a realizar.

La herramienta adecuada hace un trabajo mejor y más seguro cuando se usa al ritmo para el que fue diseñada.



No use la herramienta si el interruptor no funciona.

Cualquier herramienta eléctrica que no pueda encenderse o apagarse es peligrosa y debe repararse antes de ser operada.

Desconecte la herramienta de la fuente de alimentación y/o de la batería antes de efectuar cualquier ajuste, cambiar accesorios o almacenarla.

Estas medidas reducen el riesgo de arrancar la herramienta accidentalmente.

Almacene las herramientas fuera del alcance de los niños y no permita su manejo por personas no familiarizadas con las herramientas o con las instrucciones.

Las herramientas eléctricas son peligrosas en manos no entrenadas.



Déle mantenimiento a la herramienta. Compruebe que las partes móviles no estén desalineadas o trabadas, que no haya piezas rotas u otras condiciones que puedan afectar su operación. Repare cualquier daño antes de usar la herramienta.

Muchos accidentes son causados por el escaso mantenimiento de las herramientas.

Mantenga los accesorios de corte afilados y limpios.

Los accesorios de corte en buenas condiciones son menos probables de trabarse y más fáciles de controlar.

Use la herramienta, sus componentes y accesorios de acuerdo con estas instrucciones y de la manera prevista para el tipo de herramienta, en condiciones de trabajo adecuadas.

El uso de la herramienta para aplicaciones diferentes para las que está diseñada podría causar una situación de peligro.

Servicio

Repare la herramienta en un Centro de Servicio Autorizado

TRUPER usando sólo piezas de repuesto idénticas.

Para mantener la seguridad de la herramienta.

Elija la broca apropiada

⚠ ATENCIÓN • Elija la broca apropiada para el material a trabajar, esto reduce el riesgo de lesiones graves y agiliza el trabajo.

- En caso de perforar hormigón o piedra, use brocas específicas para concreto.
- Para metal o plástico use brocas para trabajos en metal. Las medidas abarcan un mínimo de 0.8 mm (1.2 mm para broquero de 13 mm) hasta la capacidad máxima del broquero.
- Para madera use brocas ordinarias para trabajos de madera. En cualquier caso, perforando orificios de 6.5 mm o menos, use brocas para trabajos en metal.
- No intente utilizar brocas que excedan la capacidad del broquero.

Antes de operar el rotomartillo

• Tómese su tiempo para evaluar el trabajo a realizar y asegúrese de haber respetado todas las precauciones necesarias antes de comenzar a taladrar.

⚠ ADVERTENCIA • Ajuste correctamente la broca al broquero. Quite la llave del broquero antes de comenzar a taladrar. Si no se quita la llave, ésta puede salir despedida a gran velocidad y provocar lesiones graves.

⚠ PELIGRO • Antes de perforar en una pared, suelo o techo, asegúrese de que no haya objetos empotrados, tales como cables o conducciones eléctricas o tuberías. ⚡

⚠ PELIGRO • Asegúrese que el interruptor esté apagado (ver página 7 sección encendido y control de operación) antes de conectar la herramienta, de lo contrario ésta comenzará a funcionar inesperadamente, pudiendo provocar lesiones graves.

⚠ ATENCIÓN • Apague y desconecte la herramienta antes de invertir el sentido del giro del broquero, así como de instalar o reemplazar una broca.

Mientras opera el rotomartillo

- Utilice los mangos auxiliares, si se proporcionan con la herramienta. La pérdida de control puede causar lesiones personales.
- **Sostenga la herramienta por las superficies aislantes, sobre todo al realizar trabajos en los que la parte de corte de la broca pueda hacer contacto con cableados ocultos o su propio cordón de alimentación.** El contacto con un cable conductor de corriente hace que las piezas metálicas de la herramienta también tengan corriente y puedan provocar una descarga eléctrica al operador.
- No someta la herramienta a esfuerzos excesivos.

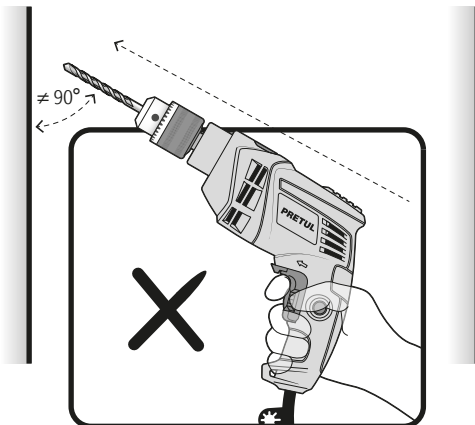
⚠ ATENCIÓN • Si la fuerza se atasca en la pieza de trabajo, apague el rotomartillo de inmediato. Luego retire la broca de la pieza de trabajo. No intente retirar las brocas atoradas encendiendo y apagando la herramienta.

- No empuje demasiado la herramienta para acelerar la perforación, o la broca se dañaría y la eficiencia de la herramienta disminuiría al igual que su vida útil.

⚠ ADVERTENCIA • En cuanto más grande sea el diámetro de la broca, la fuerza reactiva es mayor, lo que puede provocar una pérdida del control de la herramienta. Para evitar esta posibilidad sujete firmemente la herramienta con ambas manos y mantenga una posición equilibrada sobre ambos pies mientras perfora a 90°

- Esté atento y preparado para relajar la fuerza en cuanto la broca atraviese el material. Los movimientos repentinos pueden romper la broca o dañar el cuerpo de la herramienta.

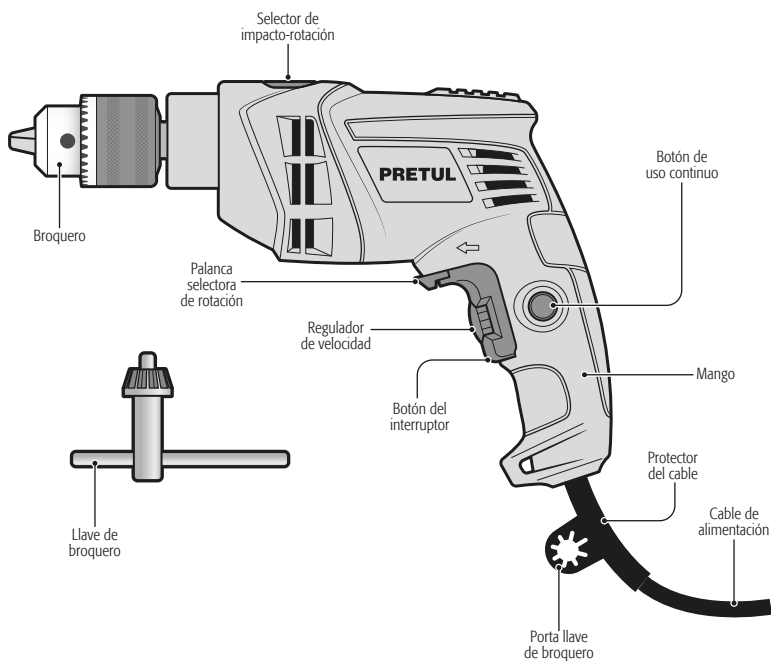
- ⚠ ATENCIÓN** • No toque la broca ni las perforaciones después de taladrar. Espere a que se enfríen para manipularlas. No intente enfriarlas con agua o aceite.
- Evite colocar la herramienta en un sitio con partículas y/o polvo después de usarla, estas pueden ser absorbidas dentro del mecanismo de la herramienta y así dañarla.
 - Usar protectores para los oídos. La exposición al ruido puede causar pérdida auditiva.
 - Utilice mascarilla antipolvo y un equipo extractor de polvo si es necesario. Recuerde que trabajar materiales como asbesto, pinturas con plomo, aditivos, algunos tipos de madera, metales o minerales es altamente tóxico.
 - Utilice gafas de seguridad.



forma incorrecta de operar el rotomartillo



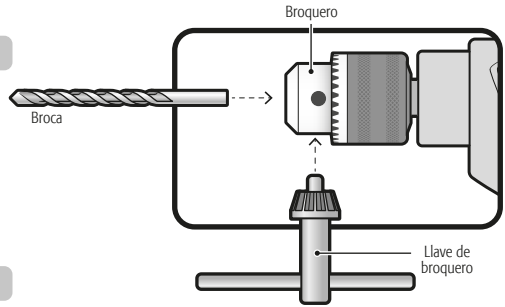
forma correcta de operar el rotomartillo



Instalación de la broca

• Introduzca la broca dentro del broquero hasta que tope y asegúrela con la llave de broquero apretando el broquero en cada uno de los orificios alternadamente.

⚠ ADVERTENCIA Limpie las rebabas y cualquier otro objeto extraño de la broca y el broquero, de lo contrario la broca puede no quedar bien apretada y causar lesiones personales serias.



Encendido y control de operación

• Operación intermitente:

Conecte la clavija al tomacorriente.

Presione el interruptor (A) para hacer que el rotomartillo empiece a funcionar.

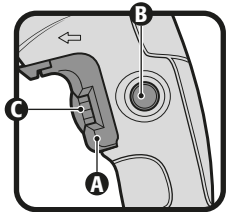
Para interrumpir su uso, simplemente suelte el interruptor.

• Operación continua:

Conecte la clavija al tomacorriente.

Presione el interruptor (A) y bloquéelo, apretando el botón de uso continuo (B).

Para interrumpir su funcionamiento, presione y después suelte el interruptor.



Control de velocidad

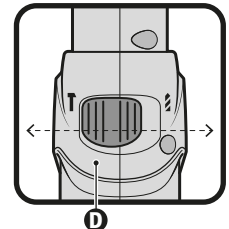
La herramienta puede operarse a distintas velocidades. Éstas se seleccionan ajustando el control de velocidad (C). Gire el control de velocidad en dirección de las manecillas del reloj para aumentar la velocidad y torsión del rotomartillo. Gírelo en dirección opuesta a las manecillas del reloj para disminuir la velocidad y la torsión.

Cambio de rotomartillo a taladro

• Para perforar hormigón, piedra baldosa o materiales de dureza similar, mueva el selector de impacto-rotación (D) totalmente a la posición de IMPACTO (←). La broca dará impactos sobre el material, rotando al mismo tiempo.

• Para perforar metal, madera o plástico, mueva el selector de impacto-rotación totalmente a la posición de ROTACIÓN (↔), para que la broca rote sobre el material.

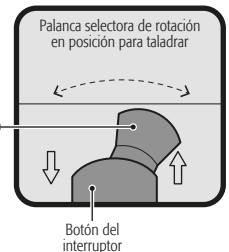
⚠ ADVERTENCIA No intente perforar metal, madera o plástico con el selector de impacto-rotación en el modo de IMPACTO (←). De lo contrario reduciría la eficiencia de la herramienta, y dañaría la punta de la broca.



Dirección de rotación

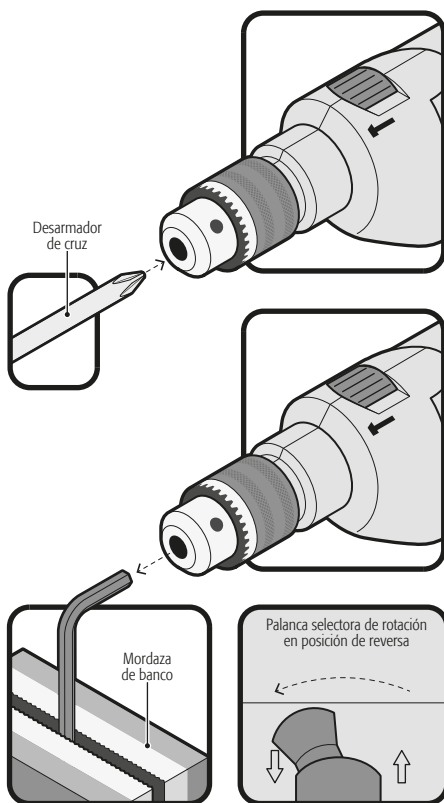
• Para que la broca gire hacia adelante y pueda taladrar, mueva la palanca selectora de rotación (E) hacia la flecha que apunta al broquero. Para que gire en reversa y pueda utilizar la herramienta como destornillador, mueva la palanca selectora de rotación hacia la flecha que apunta al mango del rotomartillo.

⚠ ADVERTENCIA Nunca utilice la herramienta en reversa con el selector de impacto-rotación en la posición de IMPACTO (←), de lo contrario se ocasionarán serios daños al sistema de impacto.



Cambio de broquero

- Retire el mango auxiliar.
- Abra completamente las mordazas del broquero.
- Extraiga el tornillo de seguridad de cuerda izquierda, aflojándolo con un desarmador en el sentido de las manecillas del reloj.
- Fije el lado largo de una llave Allen "L" (no incluida) en una mordaza de banco.
- Inserte el lado corto de la llave Allen "L" (no incluida) al broquero y cierre las mordazas.
- Mueva la palanca selectora de rotación a la posición de reversa (página 7, dirección de rotación) y accione el rotomartillo sujetándolo firmemente. El broquero se liberará con el giro.
- Coloque el broquero nuevo enroscándolo a la cuerda del rotomartillo hasta que llegue al tope.
- Abra las mordazas completamente e introduzca el tornillo roscándolo en sentido opuesto a las manecillas del reloj. Apriételo con un desarmador.



Limpieza y cuidados

- Siempre mantenga las ventilas limpias y libres de obstrucciones para garantizar un enfriamiento adecuado del motor.
- Inspeccione regularmente todos los tornillos de montaje y asegúrese de que estén apretados correctamente. En caso de que alguno de los tornillos esté suelto, apriételo inmediatamente.

Servicio

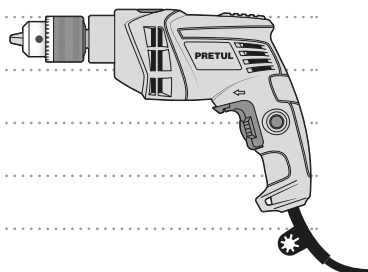
- El servicio de las herramientas debe ser realizado únicamente en un Centro de Servicio Autorizado **TRUPER**. El servicio y mantenimiento realizado por personas no calificadas puede resultar peligroso y llegar a ocasionar daños personales además de invalidar la garantía del producto.


Lubricación

- Se recomienda que la transmisión de la herramienta sea lubricada cada cambio de carbones en un Centro de Servicio Autorizado **TRUPER**.

Cambio de carbones


- Los carbones deben revisarse periódicamente, y ser reemplazados siempre por un Centro de Servicio Autorizado **TRUPER** cuando se hayan desgastado.
- Después de que hayan sido reemplazados, pida que se inspeccione si los nuevos carbones pueden moverse libremente en el porta-carbón y solicite que enciendan la herramienta durante 5 minutos para emparejar el contacto de los carbones y el conmutador.
- Sólo se deben de usar carbones de repuesto **TRUPER** originales, diseñados específicamente con la dureza y la resistencia eléctrica adecuadas para cada tipo de motor. Los carbones fuera de especificaciones pueden dañar el motor.
- Cuando se haga el cambio de carbones siempre deben reemplazarse los dos carbones.



En caso de tener algún problema para contactar un Centro de Servicio Autorizado  **TRUPER** consulte nuestra página www.truper.com donde obtendrá un listado actualizado, o llame al: **800 690-6990** ó **800 0187-8737** donde le informarán cuál es el Centro de Servicio más cercano.

AGUASCALIENTES	DE TODO PARA LA CONSTRUCCIÓN GRAL. BARRAGÁN #1201, COL. GREMIAL, C.P. 20030, AGUASCALIENTES, AGS. TEL.: 449 994 0537	MORELOS	FIX FERRETERÍAS CAPITÁN ANZURES #95, ESQ. JOSÉ PERDIZ, COL. CENTRO, C.P. 62740, CUAUTLA, MOR. TEL.: 735 352 8951
BAJA CALIFORNIA	SUCURSAL TIJUANA AV. LA ENCANTADA, LOTE #5, PARQUE INDUSTRIAL EL FLORIDO II, C.P. 22244, TIJUANA, B.C. TEL.: 664 969 5100	NAYARIT	HERRAMIENTAS DE TEPEC MAZATLAN #117, COL. CENTRO, C.P. 63000, TEPEC, NAY. TEL.: 311 258 0540
BAJA CALIFORNIA SUR	FIX FERRETERÍAS FELIPE ÁNGELES ESQ. RUIZ CORTÍNEZ S/N, COL. PUEBLO NUEVO, C.P. 23670, CD. CONSTITUCIÓN, B.C.S. TEL.: 613 132 1115	NUEVO LEÓN	SUCURSAL MONTERREY CARRETERA LAREDO #300, 1B MONTERREY PARKS, COLONIA PUERTA DE ANAHUAC, C.P. 66052, ESCOBEDO, NUEVO LEÓN, TEL.: 81 8352 8791 / 81 8352 8790
CAMPECHE	TORNILLERÍA Y FERRETERÍA AAA AV. ÁLVARO OBREGÓN #324, COL. ESPERANZA C.P. 24080 CAMPECHE, CAMP. TEL.: 981 815 2808	OAXACA	FIX FERRETERÍAS AV. 20 DE NOVIEMBRE #910, COL. CENTRO, C.P. 68300, TUXTEPEC, OAX. TEL.: 287 106 3092
CHIAPAS	FIX FERRETERÍAS AV. CENTRAL SUR #27, COL. CENTRO, C.P. 30700, TAPACHULA, CHIS. TEL.: 962 118 4083	PUEBLA	SUCURSAL PUEBLA AV. PERIFÉRICO #2-A, SAN LORENZO ALMECATLA, C.P. 72710, CUAUTLACINGO, PUE. TEL.: 222 282 8282 / 84 / 85 / 86
CHIHUAHUA	SUCURSAL CHIHUAHUA AV. SILVESTRE TERRAZAS #128-11, PARQUE INDUSTRIAL BAFAR, CARRETERA MÉXICO CUAUHTÉMOC, C.P. 31415, CHIHUAHUA, CHIH. TEL.: 614 434 0052	QUERÉTARO	ARU HERRAMIENTAS S.A. DE C.V. AV. PUERTO DE VERACRUZ #110, COL. RANCHO DE ENMEDIO, C.P. 76842, SAN JUAN DEL RÍO, QRO. TEL.: 427 268 4544
CIUDAD DE MÉXICO	FIX FERRETERÍAS EL MONSTRUO DE CORREGIDORA, CORREGIDORA # 22, COL. CENTRO, C.P. 06060, CUAUHTÉMOC, CDMX. TEL.: 55 5522 5031 / 5522 4861	QUINTANA ROO	FIX FERRETERÍAS CARRETERA FEDERAL MZ. 46 LT. 3 LOCAL 2, COL. EJIDAL, C.P. 77710 PLAYA DEL CARMEN, Q.R. TEL.: 984 267 3140
COAHUILA	SUCURSAL TORREÓN CALLE METAL MECÁNICA #280, PARQUE INDUSTRIAL ORIENTE, C.P. 27278, TORREÓN, COAH. TEL.: 871 209 68 23	SAN LUIS POTOSÍ	FIX FERRETERÍAS AV. UNIVERSIDAD #1850, COL. EL PASEO, C.P. 78320, SAN LUIS POTOSÍ, S.L.P. TEL.: 444 822 4341
COLIMA	BOMBAS Y MOTORES BYMTESA DE MANZANILLO BLVD. MIGUEL DE LA MADRID #190, COL. 16 DE SEPTIEMBRE, C.P. 28239, MANZANILLO, COL. TEL.: 314 332 1986 / 332 8013	SINALOA	SUCURSAL CULIACÁN AV. JESÚS KUMATE SUR #4301, COL. HACIENDA DE LA MORA, C.P. 80143, CULIACÁN, SIN. TEL.: 667 173 9139 / 173 8400
DURANGO	TORNILLOS ÁGUILA, S.A. DE C.V. MAZURIO #200, COL. LUIS ECHEVERRÍA, DURANGO, DGO. TEL.: 618 817 1946 / 618 818 2844	SONORA	FIX FERRETERÍAS CALLE 5 DE FEBRERO #517, SUR LT. 25 MZ. 10, COL. CENTRO, C.P. 85000, CD. OBREGÓN, SON. TEL.: 644 413 2392
ESTADO DE MÉXICO	SUCURSAL CENTRO JILOTEPEC AV. PARQUE INDUSTRIAL #1-A, C.P. 54240, JILOTEPEC, EDO. DE MÉX. TEL.: 761 782 9101 EXT. 5728 Y 5102	TABASCO	SUCURSAL VILLAHERMOSA CALLE HELIO LOTES 1, 2 Y 3 MZ. #1, COL. INDUSTRIAL, 2A ETAPA, C.P. 86010, VILLAHERMOSA, TAB. TEL.: 993 353 7244
GUANAJUATO	CIÁ. FERRETERA NUEVO MUNDO S.A. DE C.V. AV. MÉXICO - JAPÓN #225, CD. INDUSTRIAL, C.P. 38010, CELAYA, GTO. TEL.: 461 617 7578 / 79 / 80 / 88	TAMAULIPAS	VM ORINGS Y REFACCIONES CALLE ROSITA #527 ENTRE 20 DE NOVIEMBRE Y GRAL. RODRÍGUEZ, FRACC. REYNOSA, C.P. 88780, REYNOSA, TAMS. TEL.: 899 926 7552
GUERRERO	CENTRO DE SERVICIO ECLIPSE CALLE PRINCIPAL MZ.1 LT. 1, COL. SANTA FE, C.P. 39010, CHILPANCIINGO, GRO. TEL.: 747 478 5793	TLAXCALA	SERVICIOS Y HERRAMIENTAS INDUSTRIALES PABLO SIDAR #132, COL. BARRIO DE SAN BARTOLOMÉ, C.P. 90970, SAN PABLO DEL MONTE, TLAX. TEL.: 222 271 7502
HIDALGO	FERRETERÍAS S.A. DE C.V. LIBERTAD ORIENTE #304 LOCAL 30, INTERIOR DE PASAJE ROBLED0, COL. CENTRO, C.P. 43600, TULANCINGO, HGO. TEL.: 775 753 6615 / 775 753 6616	VERACRUZ	LA CASA DISTRIBUIDORA TRUPER BLVD. PRIMAVERA ESQ. HORTENSIA S/N, COL. PRIMAVERA C.P. 93308, POZA RICA, VER. TEL.: 782 823 8100 / 826 8484
JALISCO	SUCURSAL GUADALAJARA AV. ADOLFO B. HORN # 6800, COL: SANTA CRUZ DEL VALLE, C.P.: 45655, TLAJOMULCO DE ZUÑIGA, JAL. TEL.: 33 3606 5285 AL 90	YUCATÁN	SUCURSAL MÉRIDA CALLE 33 #600 Y 602, LOCALIDAD ITZINCAB Y MULSAV, MPIO. UMÁN, C.P. 97390, MÉRIDA, YUC. TEL.: 999 912 2451
MICHOACÁN	FIX FERRETERÍAS AV. PASEO DE LA REPÚBLICA #3140-A, COL. EX-HACIENDA DE LA HUERTA, C.P. 58050, MORELIA, MICH. TEL.: 443 334 6858		

Código	Modelo	Marca
28112	ROTO-1/2P6	PRETUL®

Este producto está garantizado por 1 año. Para hacer válida la garantía o adquirir piezas y componentes deberá presentar el producto en Corregidora 22, Col. Centro, Alc. Cuauhtémoc, CDMX C.P. 06060 o en el establecimiento donde lo compró, o en algún Centro de Servicio Truper® de los enlistados en el anexo de la póliza de garantía y/o en www.truper.com. Los gastos de transportación que resulten para su cumplimiento serán cubiertos por  **TRUPER®**

Para dudas o comentarios, llame al **800-690-6990**. Hecho en China. Importado por Truper S.A. de C.V. Parque Industrial 1, Jilotepec, Edo. de Méx. C.P. 54240



1
AÑO

Sello del establecimiento comercial. Fecha de entrega: